

# 30" x 48" FRP FLARED BOX ASSEMBLY

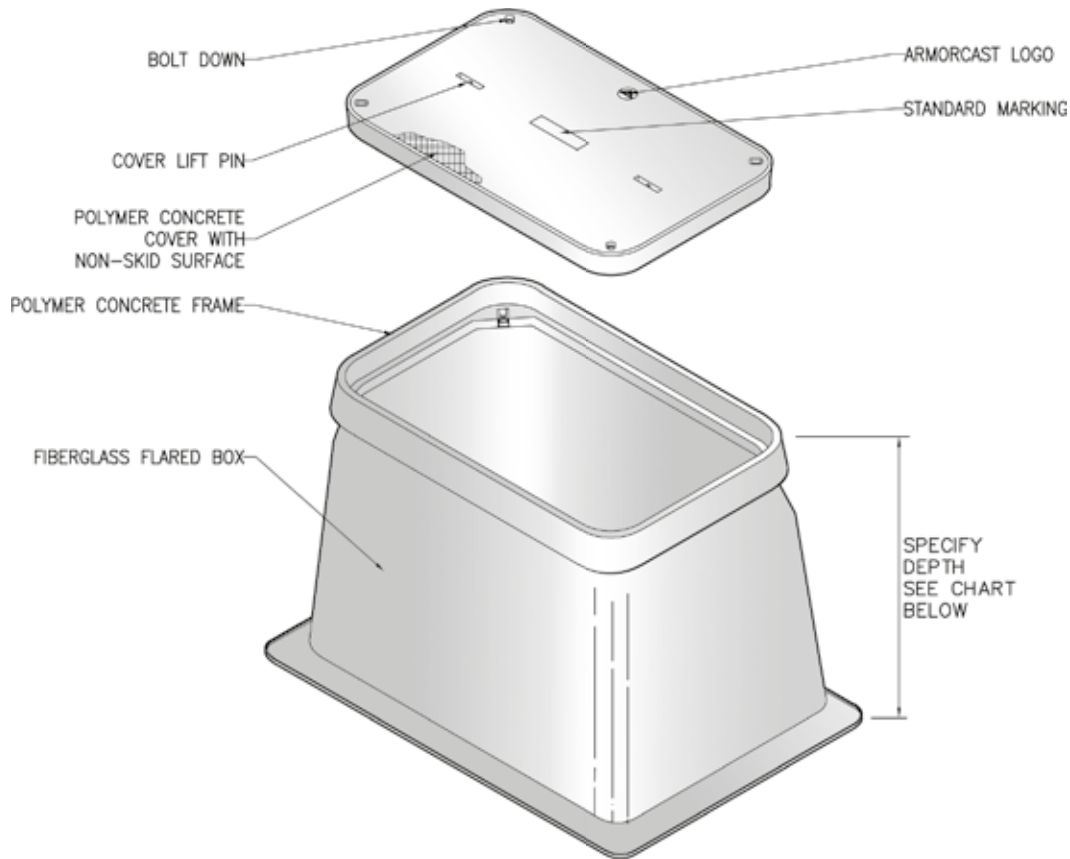
## 18" to 36" DEPTHS



**FIBERGLASS**

**ARMORCAST PRODUCTS COMPANY**

A6001550



### 30"W x 48"L FRP FLARED BOX ASSEMBLIES Specify Depth Below

DESCRIPTION	NOMINAL SIZE W x L x D	LOAD RATING	ANSI TIER	PART NUMBER	APPROX. WEIGHT	PALLET QTY.
Box & Cover Assembly	30" x 48" x 18"	10K	8	A6001550AX18	284 lbs.	5
	30" x 48" x 18"	20K	15	A6001550TAX18	287 lbs.	5
Box & Cover Assembly	30" x 48" x 24"	10K	8	A6001550AX24	304 lbs.	5
	30" x 48" x 24"	20K	15	A6001550TAX24	310 lbs.	5
Box & Cover Assembly	30" x 48" x 36"	10K	8	A6001550AX36	327 lbs.	5
	30" x 48" x 36"	20K	15	A6001550TAX36	337 lbs.	5

### COMPONENTS

DESCRIPTION	NOMINAL SIZE W x L x D	LOAD RATING	ANSI TIER	PART NUMBER	APPROX. WEIGHT	PALLET QTY.
Replacement Covers	30" x 48" - 1 pc.	10K	8	A6001630	146 lbs.	10
	30" x 48" - 1 pc.	20K	15	A6001630T	180 lbs.	10
Replacement Covers	30" x 48" - 2 pc.	10K	8	A6001470 (2 pc. Req.)	96 lbs.	20
	30" x 48" - 2 pc.	20K	15	A6001470T (2 pc. Req.)	96 lbs.	20
Replacement Boxes	30" x 48" x 18"	10K / 20K	8 / 15	A6001550X18	138 lbs.	5
	30" x 48" x 24"	10K / 20K	8 / 15	A6001550X24	158 lbs.	5
	30" x 48" x 36"	10K / 20K	8 / 15	A6001550X36	181 lbs.	5

• For sizes not shown please contact Armorcast Products for more information

[www.armorcastprod.com](http://www.armorcastprod.com)

Tel: (818) 982-3600 Fax: (818) 982-7742



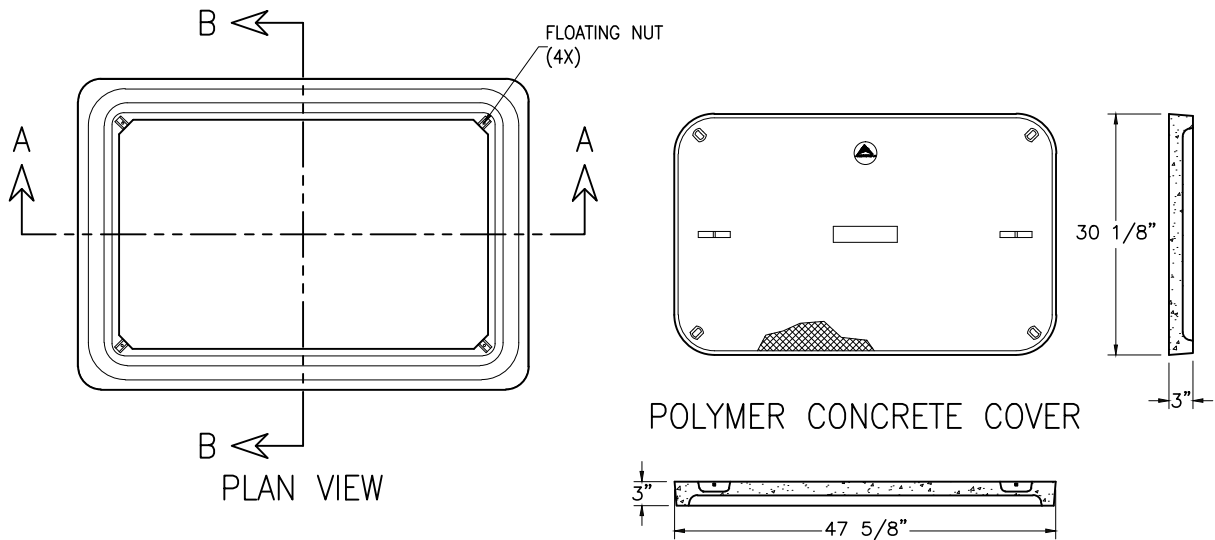
# 30" x 48" FRP FLARED BOX ASSEMBLY

## STANDARD DIMENSIONS

ARMORCAST PRODUCTS COMPANY

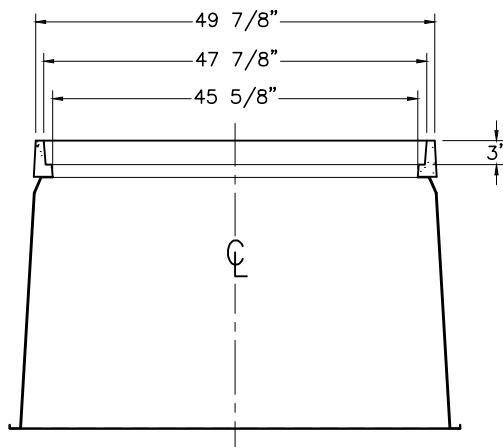
FIBERGLASS

A6001550

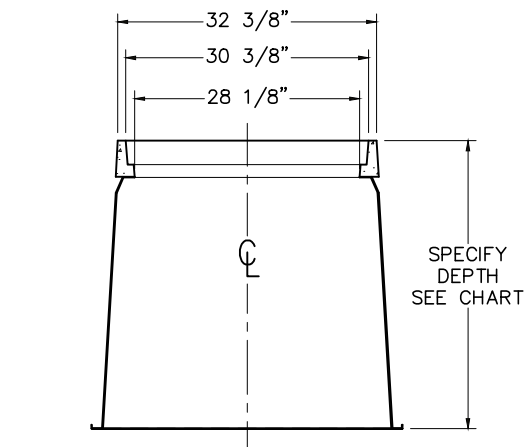


PLAN VIEW

POLYMER CONCRETE COVER



SECTION A-A



SECTION B-B

Armorcast Products Company reserves the right to update or discontinue product information at any time without notice.

[www.armorcastprod.com](http://www.armorcastprod.com)

Tel: (818) 982-3600 Fax: (818) 982-7742

FIBERGLASS  
BOXES