

# Powered Vanity Drawer Organizer

## Installation Instructions for PVGD15-SC



Scan to watch the installation video  
<http://delivr.com/2n2b4>

### IMPORTANT:

Before you begin, make sure you familiarize yourself with all the parts and fully read the instructions. We recommend a GFCI Outlet is installed or accessible within 3.5 feet of where the drawer will be installed. UL recognized 12 amps at 120 VAC (60 Hz).

### CUSTOMER SERVICE:

Toll-free customer help line available weekdays between 7:00 am and 6:00 pm Central Time at 800-463-0660.

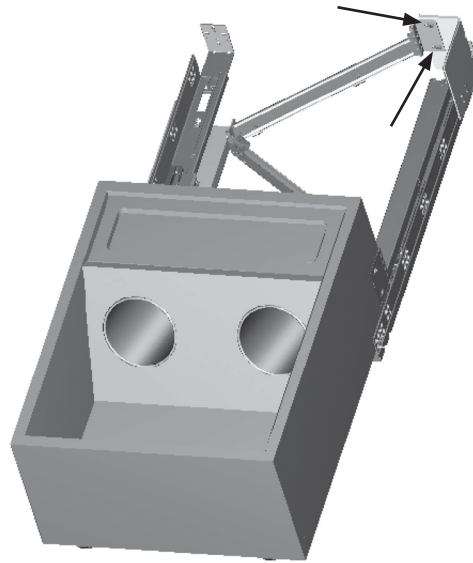
### TOOLS NECESSARY:

Screw gun or Phillips screwdriver and tape measure. NOTE: If screw gun has a clutch, set to lowest setting so as not to over tighten and/or strip screws.

### PARTS IDENTIFICATION:

1	18" Synchronized Undermount Slides (Assembled)	2 pcs
2	6-way Adjustable Zinc Undermount Clips (Assembled)	2 pcs
3	Powered Vanity Drawer	1 pcs
4	Stainless Steel Canisters	2 pcs
5	Rear Mounting Bracket	1 pcs
6	Cable Management Arm Bracket	1 pcs
7	Microswitch	1 pcs
8	Cable Management Arm	1 pcs
9	Power Strip with two 15 amp receptacles	1 pcs

### STEP 1 - Detach the Cable Arm

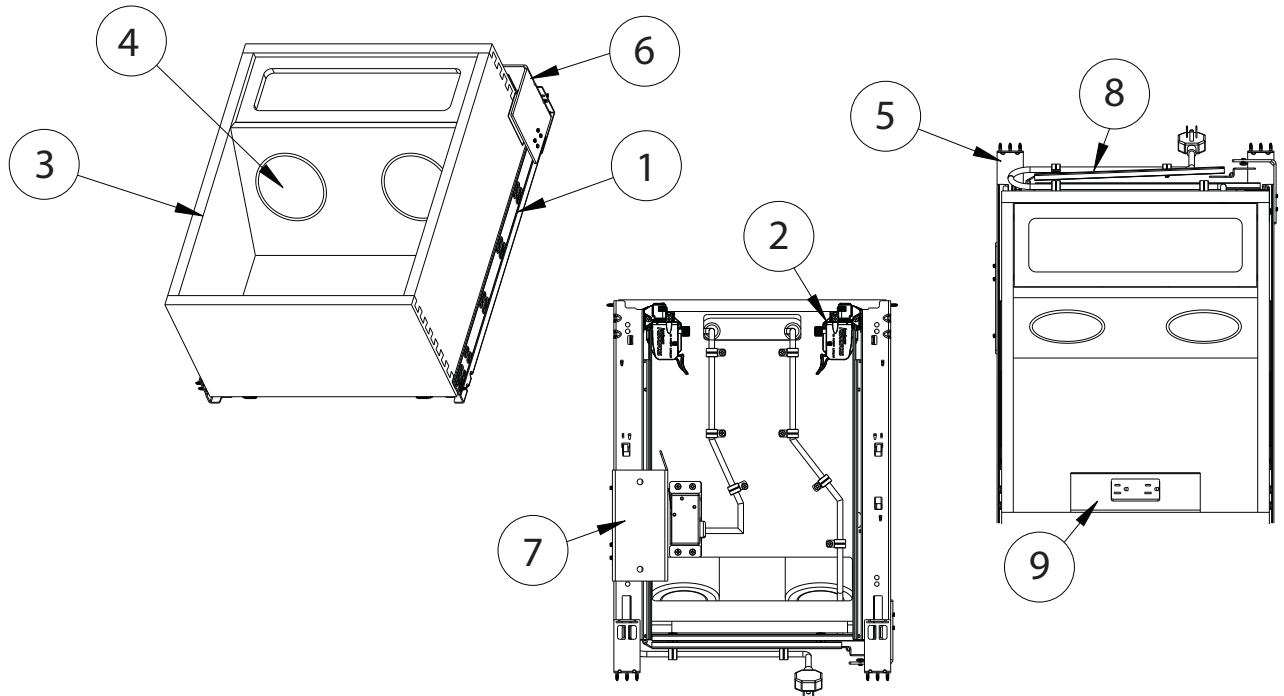


Detach cable arm from the slide by removing 2x M5 x 6 mm screws.

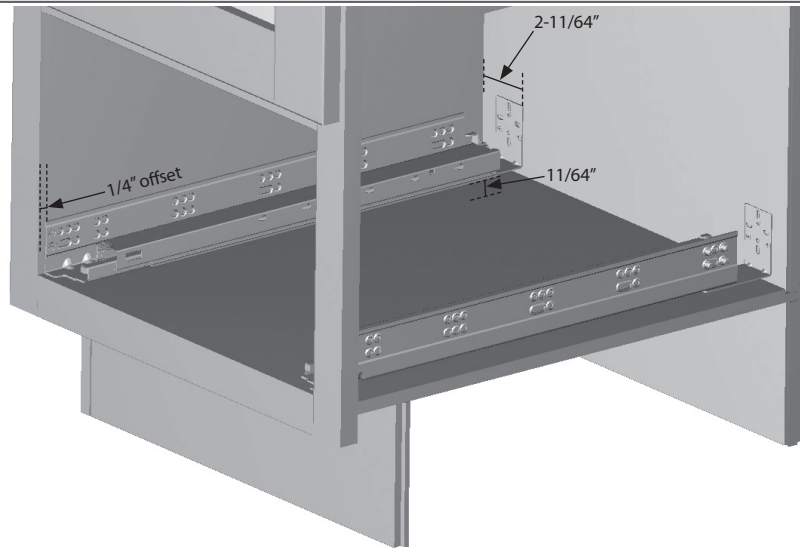
### STEP 2 - Disengage Drawer Slides



Disengage drawer from slides by pressing both undermount clip levers simultaneously.

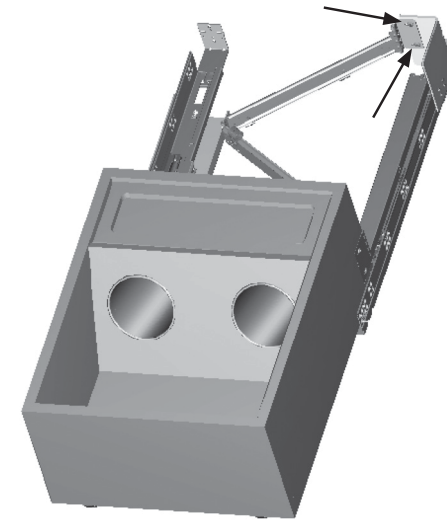


### STEP 3 - Install Drawer Slides in Cabinet



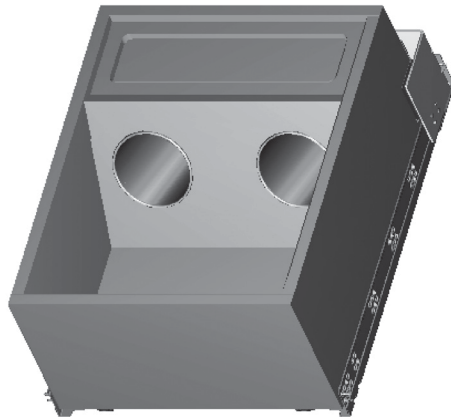
Attach rear mounting brackets to back panel. Offset from side panel and bottom panels as shown. Attach slides to brackets. Offset slides by 1/4" from face frame. Use supplied 10x #6 x 1/2" to attach the slide to the face frame and rear brackets to cabinet.

### STEP 4 - Reattach Unit to Drawer Slides



Reattach drawer to slides and screw cable arm back to slide rear bracket using 2x M5 x 6 mm screws.

### STEP 5 - Close the Drawer & Inspect



Close the drawer and make sure the power cable does not get pinched by the drawer.

### STEP 6 - Connect the Unit & Test



Connect the powered vanity and test power works correctly. **NOTE:** Powered vanity is designed so power cuts off from the outlet when the drawer is in the closed position.