



DemiLav®
18-1/4" rectangular vessel bathroom sink, no overflow
K-2833

Features

- Sloped rectangular basin
- No faucet holes; requires wall- or counter-mount faucet

Material

- KOHLER® enameled cast iron

Installation

- Vessel

Recommended Products/Accessories

- K-7129 Drain
- K-9018 P-Trap
- K-23726 Drain treatment
- K-23725 Cast iron cleaner
- K-33151 Clicker drain without overflow

ADA **CSA B651**

Codes/Standards








ASME A112.19.1/CSA B45.2
ADA
ICC/ANSI A117.1
CSA B651

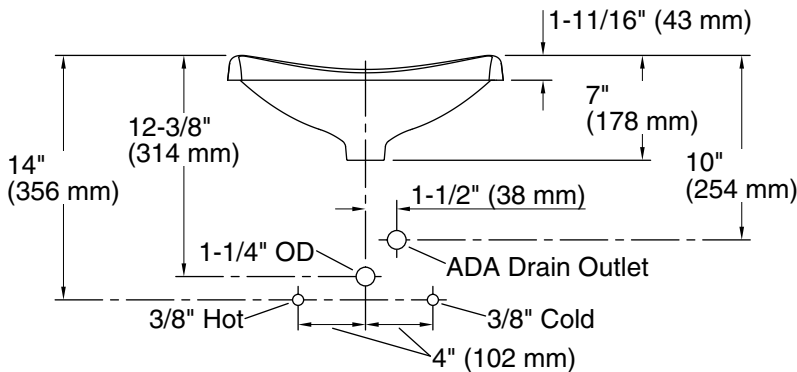
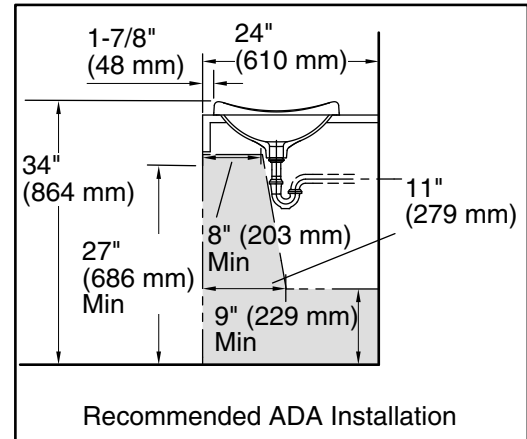
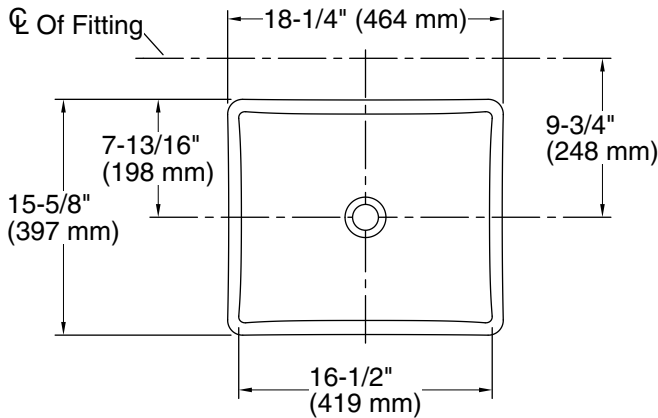
**KOHLER® Enameled Cast Iron
Kitchen and Bathroom Sink Lifetime
Limited Warranty**

See website for detailed warranty information.

Available Colors/Finishes

Color tiles intended for reference only.

Color	Code	Description
	0	White
	FF	Sea Salt™
	96	Biscuit
	NY	Dune
	95	Ice™ Grey
	58	Thunder™ Grey
	7	Black Black™
	DGB	Indigo Blue



Technical Information

All product dimensions are nominal.

Basin configuration:	Single Bowl
Bowl area (Only):	Length: 16-1/2" (419 mm) Width: 13-3/4" (349 mm) Water depth: 5" (127 mm)
With overflow:	No
Drain hole:	1-3/4" (44 mm)
Template:	1046630-7, required, included

Notes

Install this product according to the installation instructions.

Product does not have overflow.

NOTICE: Countertop manufacturer or cutter must use the cut-out template provided with the product, or a current one provided by Kohler Co. (call 1-800-4KOHLER). Kohler Co. is not responsible for cutout errors when the incorrect cut-out template is used.

The spout must be a minimum of 5" (127 mm) long for adequate clearance into the bathroom sink when installed with the centerline, as shown.

ADA, CSA B651 compliant when installed to the specific requirements of these regulations.