

590TPA Series Electronic Faucet with Surface Mount Control Box

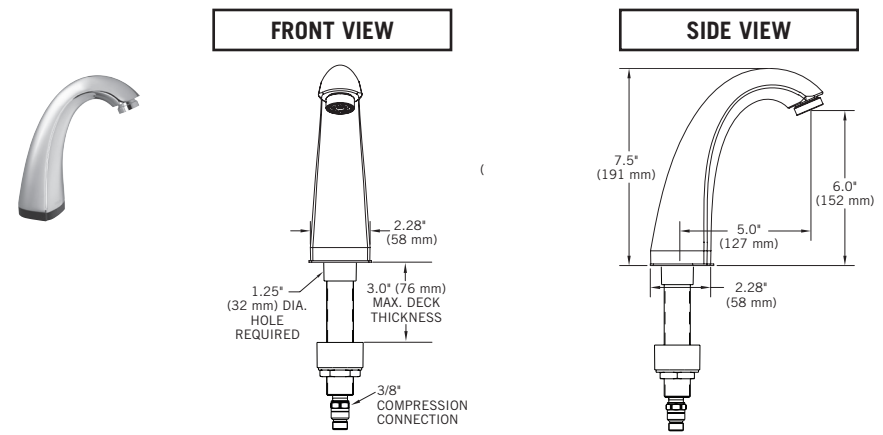
TECK
COMMERCIAL

DELTA

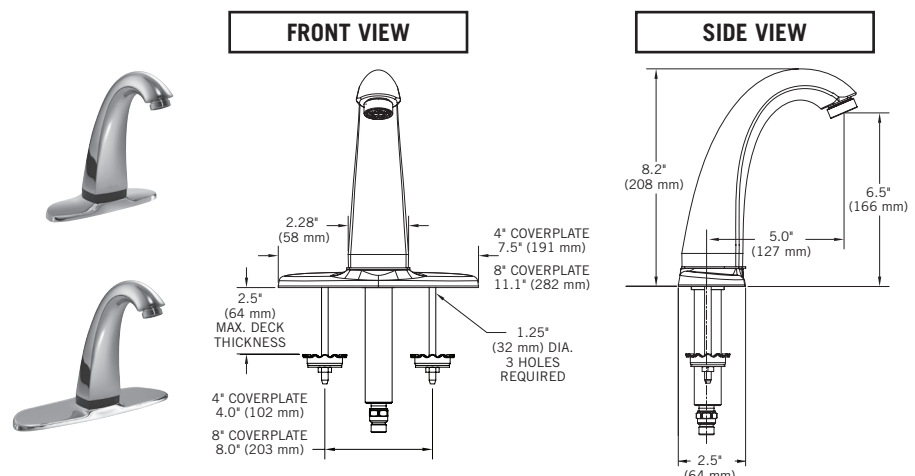
590TPA SERIES

- Vandal resistant laminar Agion® antimicrobial finish outlet 1.5 gpm (5.7 L/min)
 - ❑ 590TPA0120 (Hardwire)
 - ❑ 590TPA1120 (Battery)
 - ❑ 590TPA2120-PI (Plug-in)
 - ❑ 590TPA2120-LP (Less Power)
- Vandal resistant laminar outlet 0.5 gpm (1.9 L/min)
 - ❑ 590TPA0150 (Hardwire)
 - ❑ 590TPA1150 (Battery)
 - ❑ 590TPA2150-PI (Plug-in)
 - ❑ 590TPA2150-LP (Less Power)
- Vandal resistant spray outlet 0.35 gpm (1.32 L/min)
 - ❑ 590TPA0190 (Hardwire)
 - ❑ 590TPA1190 (Battery)
 - ❑ 590TPA2190-PI (Plug-in)
 - ❑ 590TPA2190-LP (Less Power)

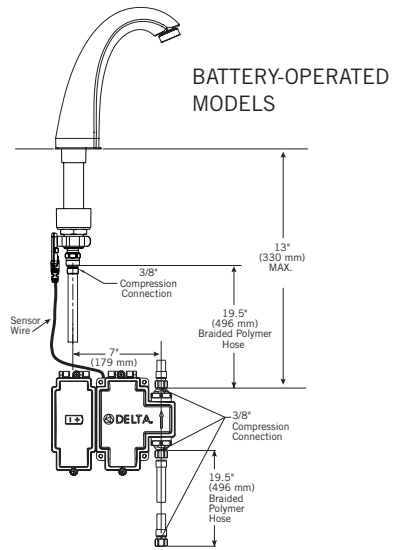
590TPA SERIES



4" AND 8" COVERPLATE (ORDER SEPARATELY)



TYPICAL INSTALLATION



OPTIONAL COVERPLATES	
PRODUCT NO.	DESCRIPTION
061159A	4" Coverplate
061160A	8" Coverplate

Available optional coverplates for field conversion. Includes anti-rotation pin for secure public lavatory installation.

APPROVALS:

- CSA certified
 - Complies to ASME A112.18.1/CSA B125.1
 - Indicates compliance to ICC/ANSI A117.1
 - Outlet option 2 is EPA WaterSense listed
 - Verified compliant with 0.25% weighted average Pb content regulations
- (Contact Delta Representative for State and/or Local Approvals.)

Patented

Note: Measurements may vary ± 6mm (0.25")

Batteries included on all battery models. Refer to www.specselect.com for individual models.

Flow Rates are at 60 PSI. Note: Use all pages as product submittal sheets.

Delta reserves the right (1) to make changes in specifications and materials, and (2) to change or discontinue models, both without notice or obligation. Dimensions are for reference only. See current full-line price book or www.specselect.com for finish options and product availability.