



# Assembly & Installation Instructions

**CAUTION:** Read instructions carefully and turn electricity off at main circuit breaker panel before beginning installation.

## P2613

\*\*\*\*\*

WARNING - If any Special Control Devices are used with this Fixture, Follow the Instructions Carefully to assure full compliance with N.E.C. requirements. If there are any questions, contact a Qualified Electrical Contractor.  
CAUTION - All glass is fragile, use care when handling Glass component(s) and or Lamp(s).

\*\*\*\*\*

### 1. SAFETY PRECAUTIONS:

WARNING: To avoid fire, shock, and personal injury, follow all instructions carefully. Read your Owner's Manual carefully before installing the ceiling fan control. Retain Owner's Manual for future references.

2. To avoid possible electrical shock, be sure electricity is turned off at the main fuse box or circuit breaker panel before wiring.
3. This control is designed to operate only one ceiling fan and not an accessory light kit. This wall control is rated for 1.25 amps at 120 volts. If your ceiling fan is equipped with a variable speed pull chain switch control, make sure to set it at the highest speed before installing the wall control. This will avoid erratic speeds and possible damage to your ceiling fan.
4. Make certain no bare wires are exposed outside the connectors.
5. All wiring must conform to National and Local Electrical Codes. If you feel you do not have enough electrical wiring knowledge or experience, have your fan control installed by a licensed electrician. Any electrical work not described in this manual should be performed by a licensed electrician.
6. Use of this control with some ceiling fan could result in fire, shock, and serious personal injury. Use this fan control with capacitor speed controlled ceiling fans only.

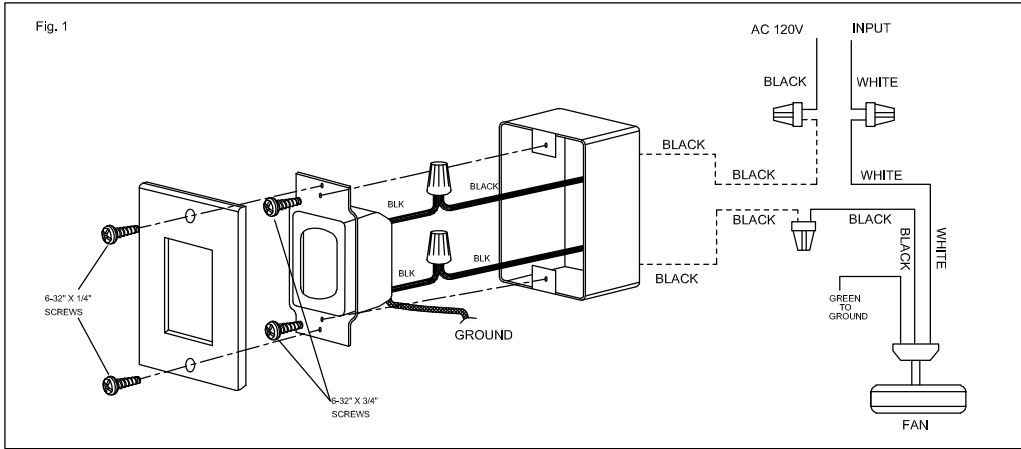
### INSTALLATION:

1. After electricity has been turned off at the main fuse box or circuit breaker panel, remove the existing wall plate and switch.
2. Proceed to make the wire connections as follows; (make sure the switch is in the "OFF" position). Connect one of the Black wires from the UC9020 wall control to the fan lead wire. Connect the second Black wire from the UC9020 wall control to the 120v AC hot wire. Use wire connectors provided to secure the connections.

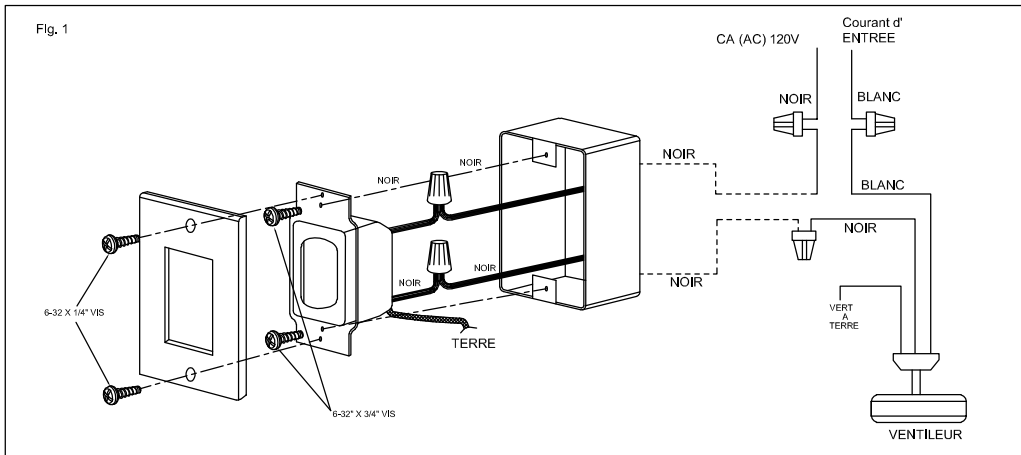
NOTE: Refer to the Schematic on the back of the wall control.

3. Secure the UC9020 wall control to the outlet box using the two 6-32" x 3/4" screws provided.
4. Secure the face plate over the wall control with the two 6-32" x 1/4" screws provided.

**WARNING! HOOK UP "IN SERIES" ONLY!**  
 Do not connect to hot and common wire of electric circuit  
 or switch will be damaged. Refer to diagram below.



**AVERTISSEMENT! CONNECTEZ UNIQUEMENT "EN SERIE"!**  
 Ne pas connecter au fil commun et d'alimentation du circuit électrique ou dégâts  
 au commutateur en résultera. Consultez le diagramme ci-dessous.



**¡AVISO! CONECTAR UNICAMENTE "EN SÉRIE"**  
 No conectar con el cable común o del suministro del circuito eléctrico  
 para evitar daños en el interruptor. Consulte el diagrama.

