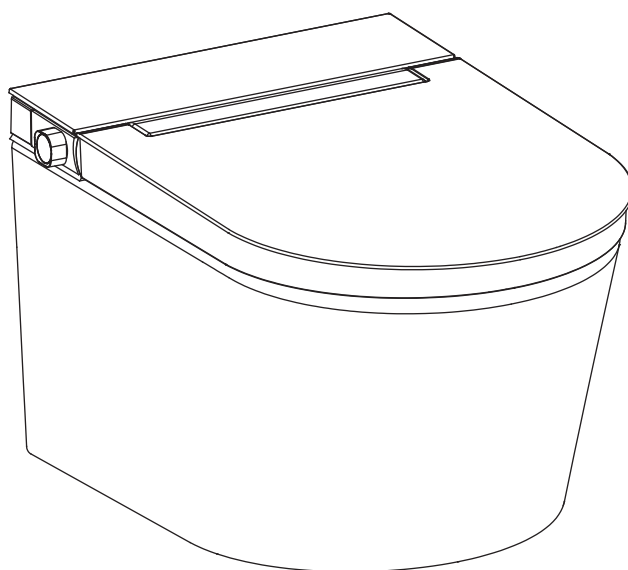




ITEM: TL-WHSF03-WH
TL-WHFF03-WH
ANZZI SMART TOILET
INSTALLATION &
OPERATION MANUAL

V1.0
11/20/2025



DON'T WAIT! REGISTER NOW!

Register your product within 90 days to ensure your product is recognized as an official purchase and is eligible for warranty coverage.

Register online at <https://anzzi.com/pages/register> or scan the QR code at PG. 2.



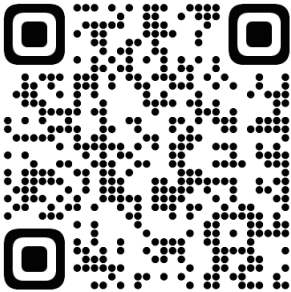
PRODUCT REGISTRATION*

IMPORTANT: Warranty will not be recognized unless product is registered.

Register online at <https://anzzi.com/pages/register> or Scan the QR code below.
Registering online is fast, secure, and ensures we receive your information.

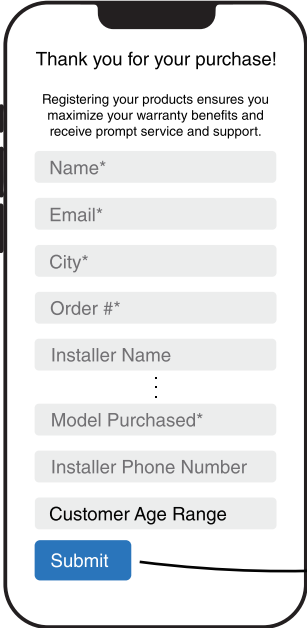
1

SCAN QR CODE



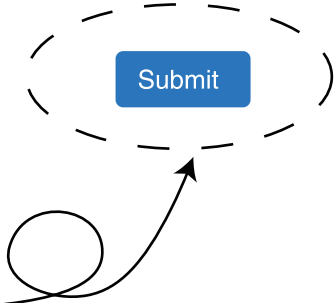
2

FILL IN THE
REGISTRATION FORM



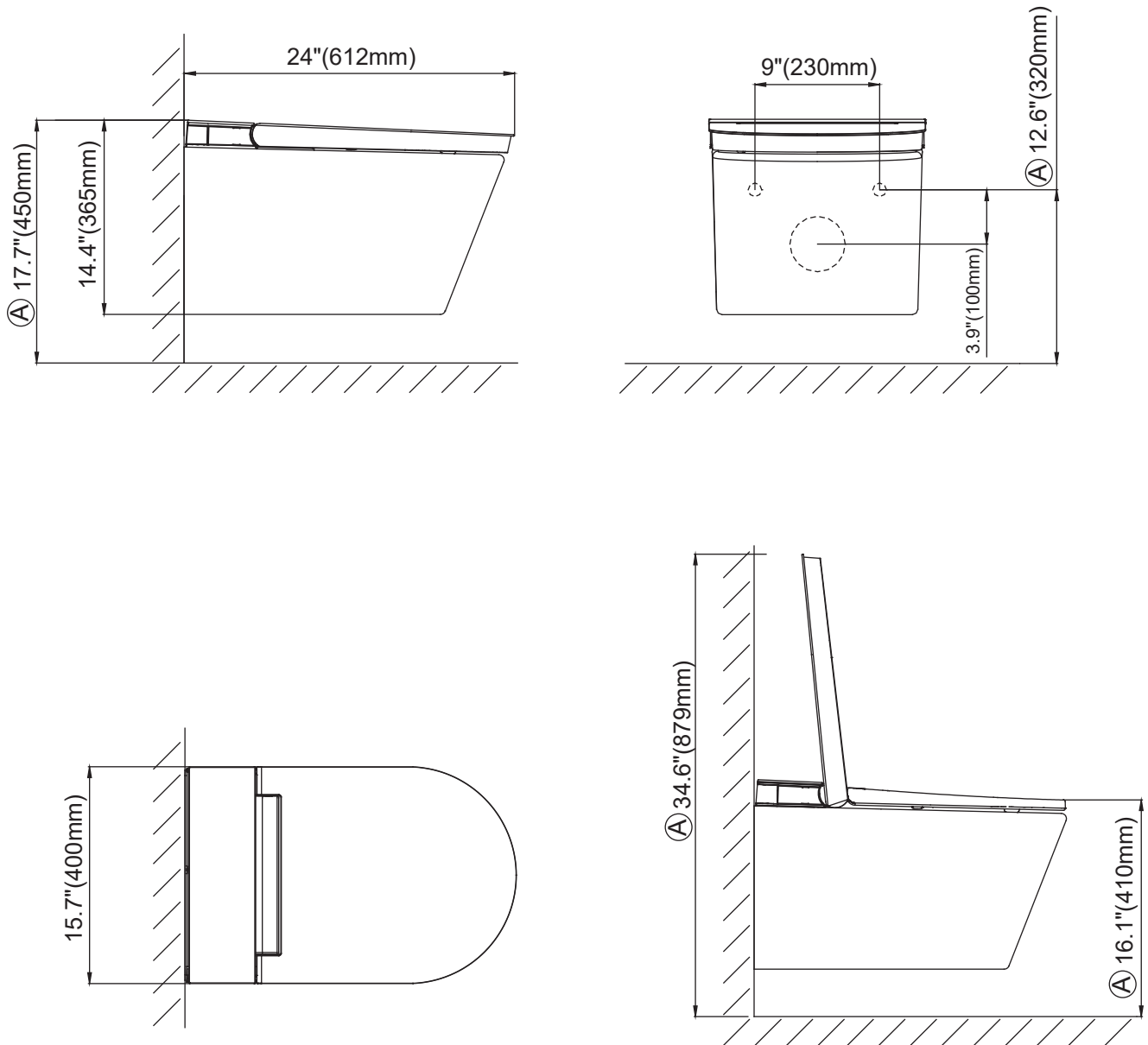
3

CLICK SUBMIT TO FINISH
PRODUCT REGISTRATION



Need help? For technical support call **305-614-4070** or visit us at www.ANZZI.com

PRODUCT SIZE CHART



Ⓐ is indicated as the recommended size after installation. It can be adjusted according to personal needs within the installation allowance. Please carefully confirm these dimensions before proceeding with the installation.

Thank you for choosing ENVO SMART TOILET. Please read and understand this entire manual before attempting to install, assemble or operate this product.

TABLE OF CONTENTS

SAFETY PRECAUTIONS.....	PG.5
COMPONENTS	PG.7
TOILET INSTALLATION.....	PG.9
OPERATION INSTRUCTIONS.....	PG.19
CLEANING & MAINTENANCE.....	PG.23
PRODUCT SPECIFICATIONS.....	PG.25
TROUBLE SHOOTING.....	PG.26

SAFETY PRECAUTIONS

PLEASE READ AND OBSERVE THE FOLLOWING SAFETY INSTRUCTIONS CAREFULLY BEFORE USE!

Failure to comply may result in damage, malfunction, or personal injury. The manufacturer will not be responsible for any loss or damage caused by violation of the following requirements.

GENERAL SAFETY

This product is a Class I electrical appliance and must be connected to a proper grounding system.

Individuals with disabilities, limited cognitive ability (including children), or those lacking sufficient knowledge of operation must not use this product alone. They should only operate it under the strict supervision and guidance of a responsible adult.

Do not allow children to operate this device unsupervised.

The appliance must not be used in excessively wet or humid environments. If installed in a bathroom, an exhaust fan or air vent must be installed to ensure adequate airflow.

TO REDUCE THE RISK OF ELECTROCUTION

The socket circuit connected to this product must be equipped with a residual current device (RCD) with a rated residual operating current not exceeding 30mA.

The ground wire must be correctly installed in accordance with national electrical codes.

Ensure that sockets and plugs are located at least 23.6"(600mm) horizontally away from a shower area or bathtub.

Do not immerse the toilet or any of its components in water or other liquids. If this occurs accidentally, unplug the product immediately and do not touch any electrical parts.

If the power cord is damaged, it must be replaced by a qualified professional authorized by the manufacturer or service center.

Do not pull or yank the power cable or plug.

Do not place open flames, candles, cigarettes, or similar objects on or near the toilet.

Do not place heavy objects on the seat or cover.

Do not use industrial water, circulating water, or waste water as the water source. Please use potable water that meets living and drinking standards.

Comply with all local regulations on water supply and drainage to avoid potential safety hazards.

Use only the specified power supply: 120V~60Hz.

Ensure water supply conditions, Water pressure: 0.14 MPa to 0.86 MPa (20.3 PSI to 125 PSI)
Water flow: ≥ 11.4 L/min (3.0 gal/min)

Ensure proper temperature conditions, Water temperature: 4°C to 35°C (39.2°F to 95°F),
Bathroom temperature: above 4°C (39.2°F).

Do not pinch, bend, or kink the inlet hose or power cord.

Do not strike the ceramics heavily.

Do not place the product upside down.

Ensure ground and wall waterproofing before installation.

Handle ceramics with care during installation to avoid damage; do not overtighten nuts.

SAFETY PRECAUTIONS

Read carefully before use. Failure to follow may cause injury or damage.

GENERAL SAFETY

This is a Class I appliance. Connect to a grounded outlet only.

Do not allow children or persons with reduced ability to use unsupervised.

Keep the unit away from excessive moisture. Ensure good ventilation if used in a bathroom.

ELECTRICAL SAFETY

Use a socket protected by a 30 mA RCD.

Ground wire must meet local electrical codes.

Keep sockets at least 23.6" (600 mm) from shower or tub.

Do not immerse or spray water on any part of the toilet.

If the power cord or plug is damaged, stop using and contact service.

Do not pull or twist the power cord.

Keep away from flames or heat sources.

Power supply: 120 V~, 60 Hz only.

Water pressure: 20–125 PSI(0.14–0.86 MPa); Flow \geq 3 gal/min(11.4 L/min).

Water temp: 39–95 °F(4–35 °C); Room > 39 °F(4 °C).

INSTALLATION & USE

Install only on a waterproofed floor and wall.

Do not secure toilet with cement.

Use only new, original fittings and hoses.

Handle ceramics carefully; do not overtighten nuts.

Remove protective film after installation.

A small amount of water inside is normal from factory testing.

TO PREVENT FIRE, BURNS, OR INJURY

Do not use a loose or wet power socket.

Do not pull or bend the power cord.

Keep away from open flames.

Do not step or sit on the cover.

Avoid long sitting when seat heating is on.

Children, elderly, or persons under alcohol/sedatives must not use heating.

MAINTENANCE

Use clean tap water only; no recycled or industrial water.

Keep hoses straight, not kinked.

Clean with soft cloth and mild neutral detergent (pH \approx 7).

Disconnect power before cleaning.

Keep remote control dry.

BATTERY USE

Wipe contacts before inserting.

Use alkaline batteries only.

Do not mix old/new or different types.

Do not recharge, short, heat, or throw into fire.

SAFETY PRECAUTIONS

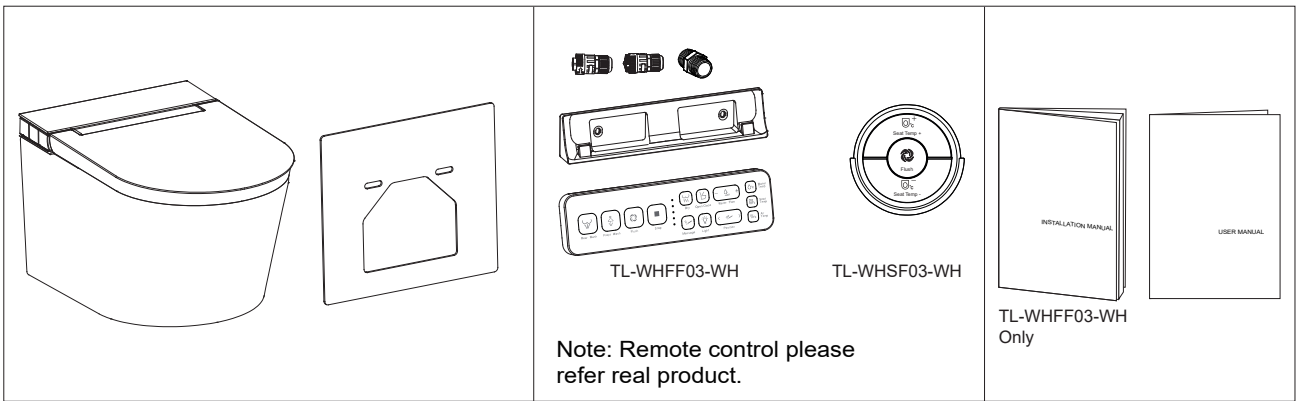
Do not expose batteries to sunlight or high temperatures.
 Remove batteries if remote is unused for long periods.
 Dispose of batteries according to local regulations.

INSTALLATION & USE REMINDERS

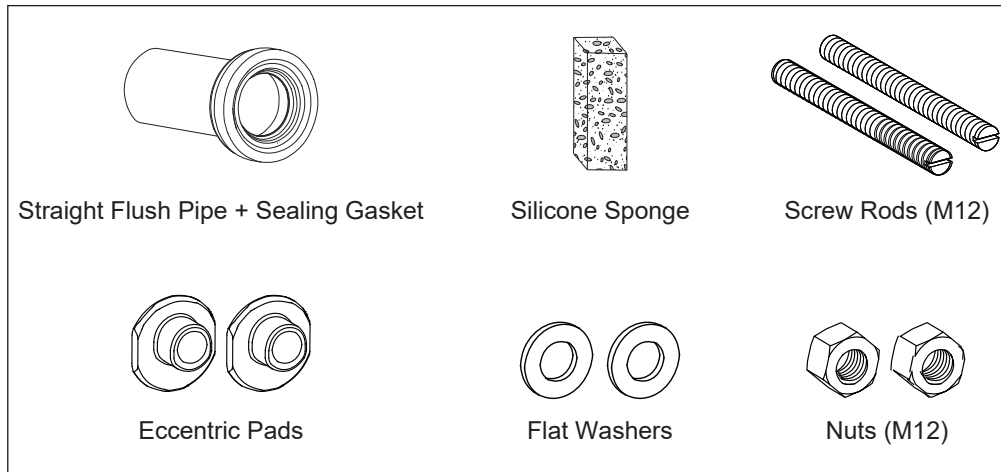
Connect water supply before power.
 Avoid direct sunlight to prevent color fading and unstable seat temperature.
 Always hold the main body when moving or installing; do not hold only the cover or seat.

COMPONENTS

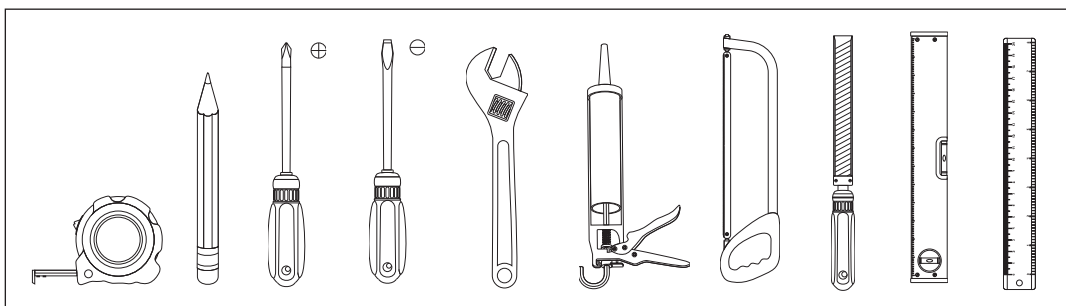
STANDARD DELIVERY CONTENTS



ACCESSORIES NEEDED (PROVIDED BY CUSTOMER)

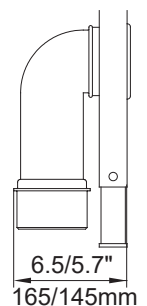
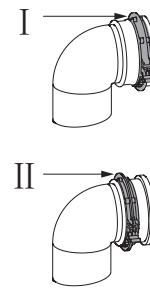
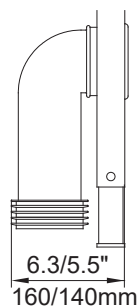
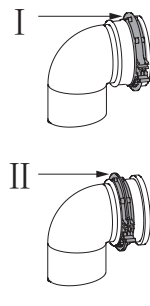
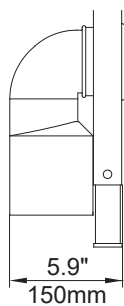
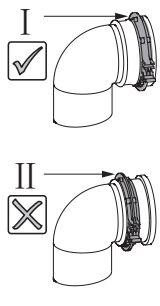
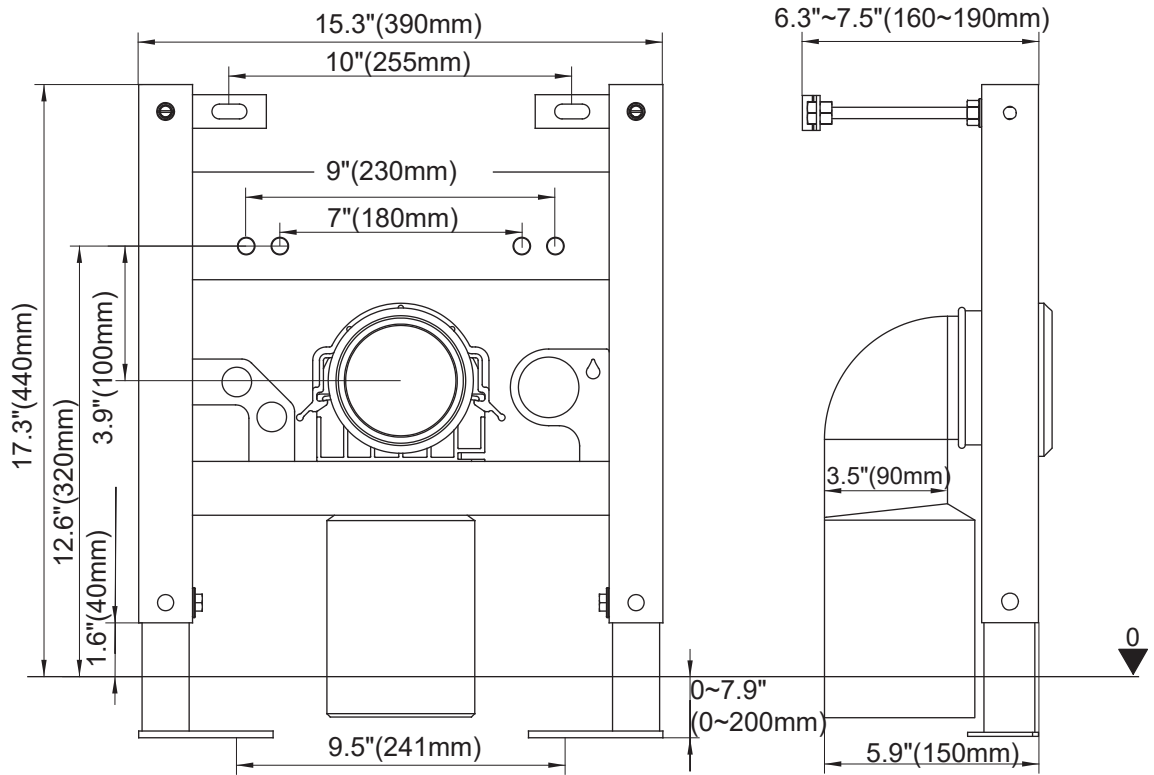
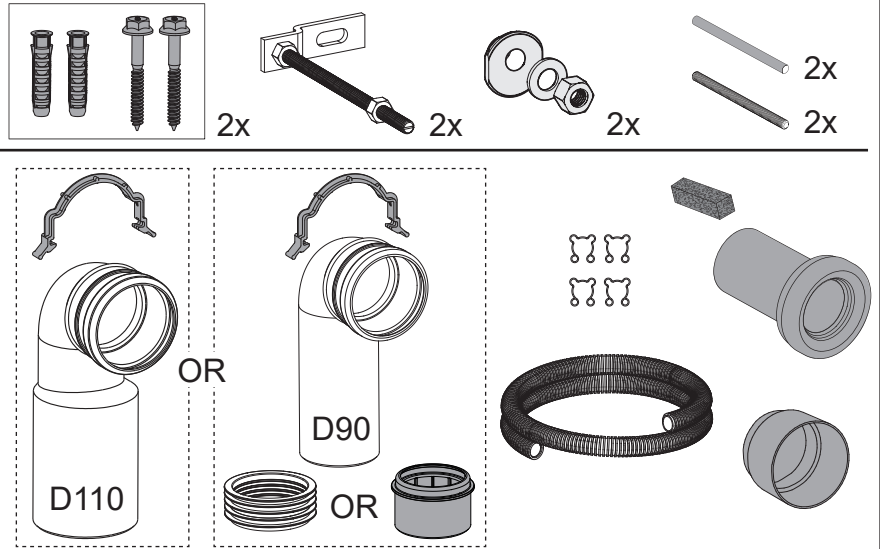
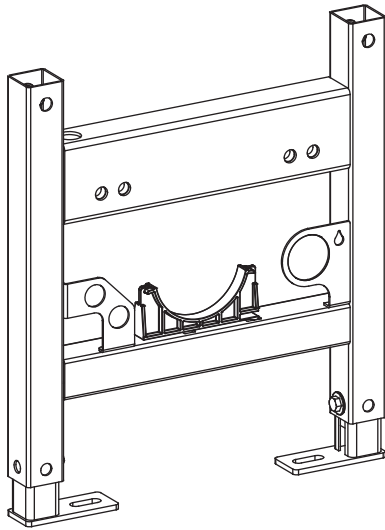


TOOLS NEEDED (PROVIDED BY CUSTOMER)



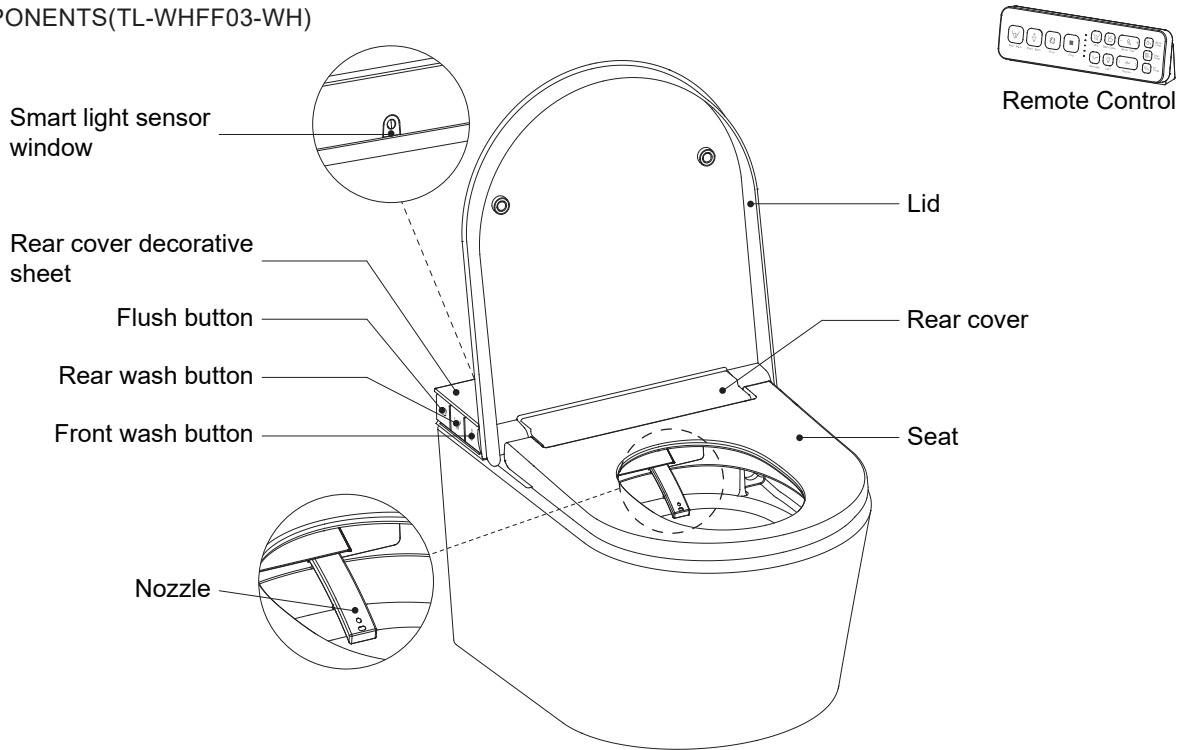
COMPONENTS

THE SUPPORT FRAME FOR CONCEALED INSTALLATION



COMPONENTS

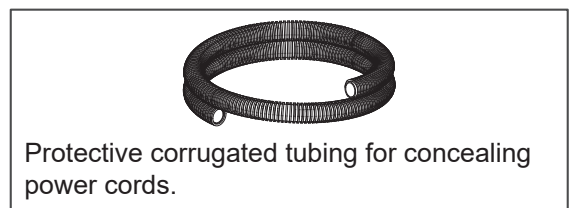
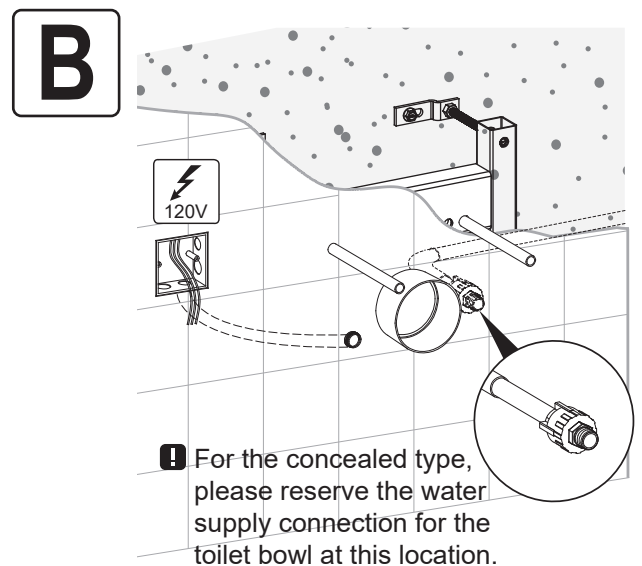
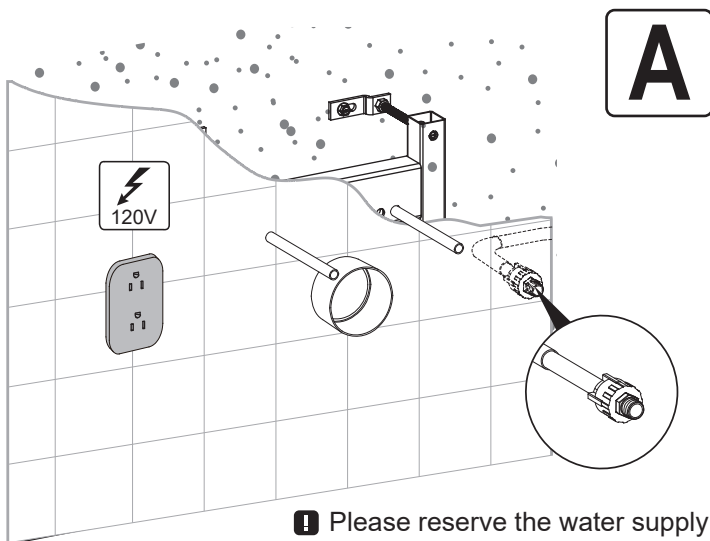
■ COMPONENTS(TL-WHFF03-WH)



TOILET INSTALLATION

THE SUPPORT FRAME

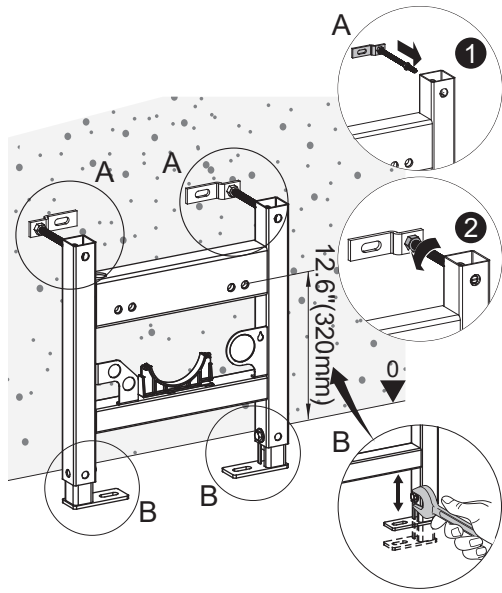
Recommend the following two installation methods for the toilet frame. Please select according to the actual situation.



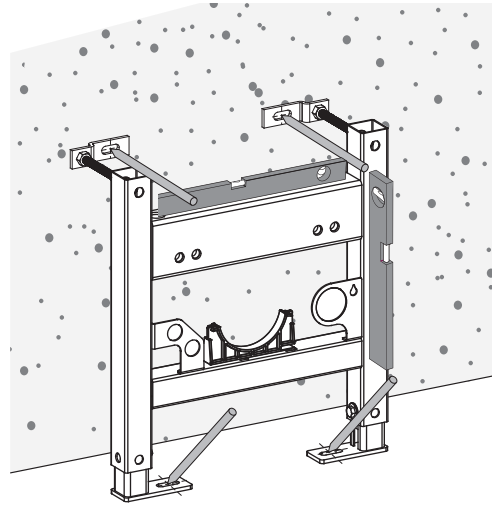
TOILET INSTALLATION

THE SUPPORT FRAME (A METHOD)

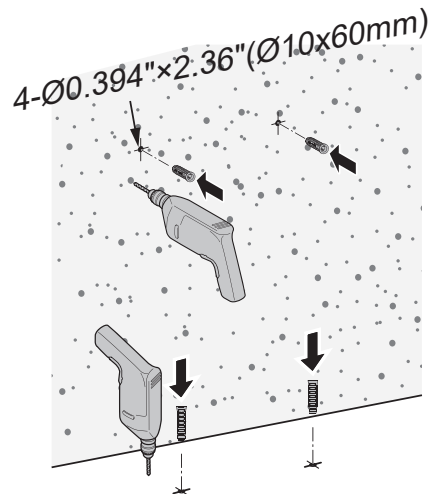
1



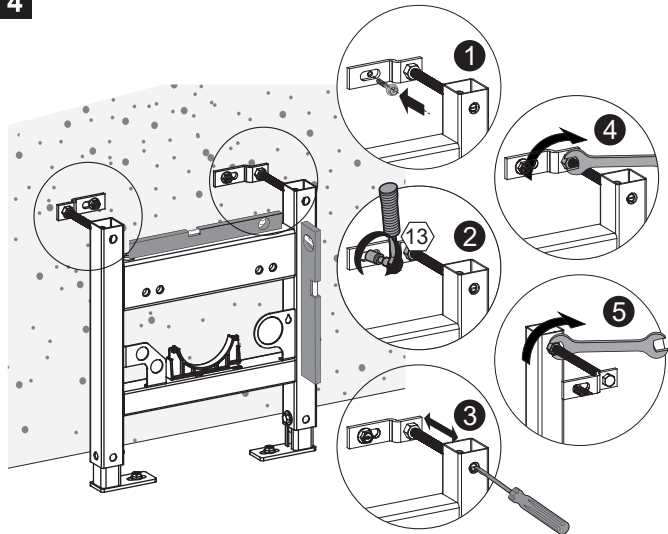
2



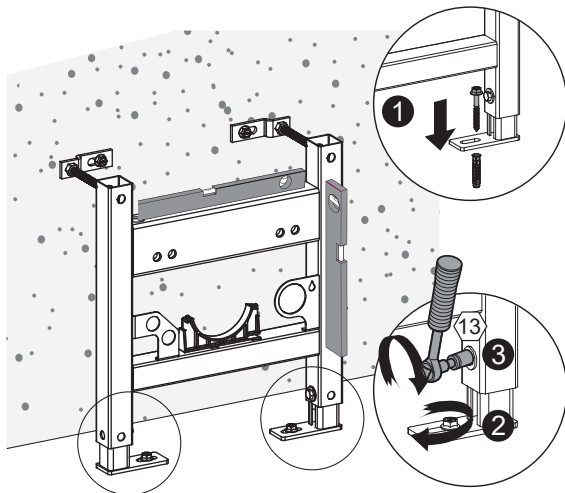
3



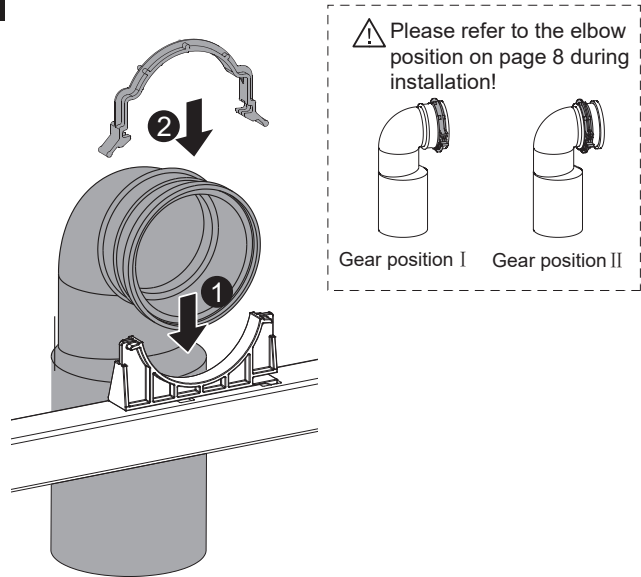
4



5



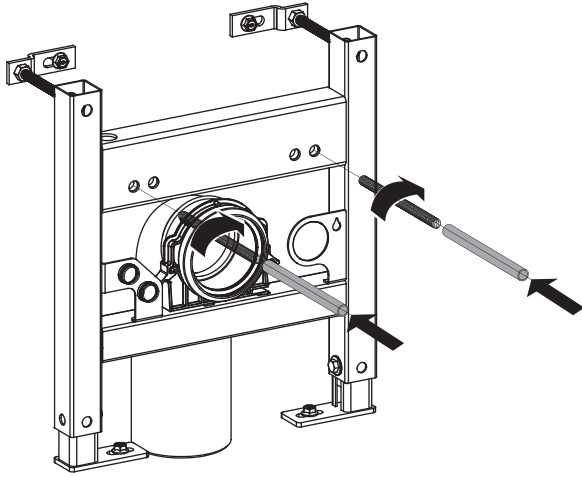
6



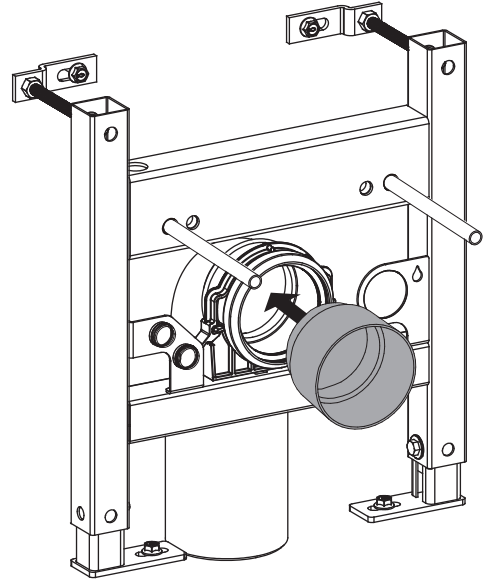
TOILET INSTALLATION

THE SUPPORT FRAME (A METHOD)

7

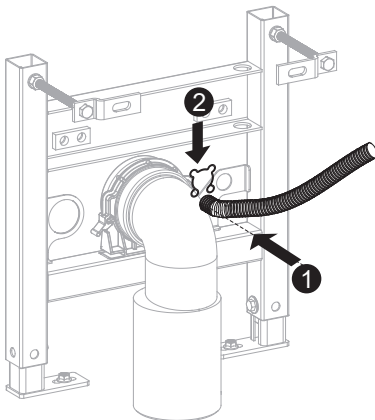


8

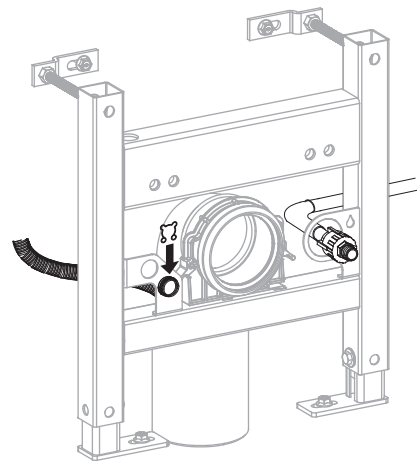


THE SUPPORT FRAME (B METHOD)

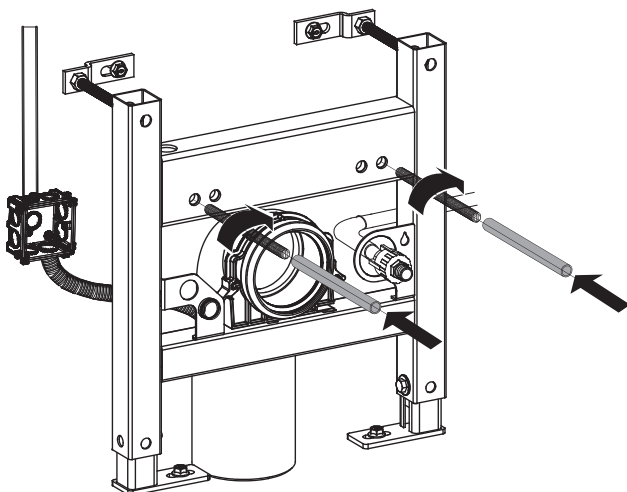
B1



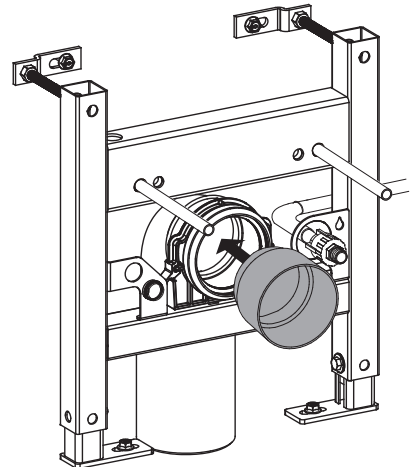
B2



B3



B4

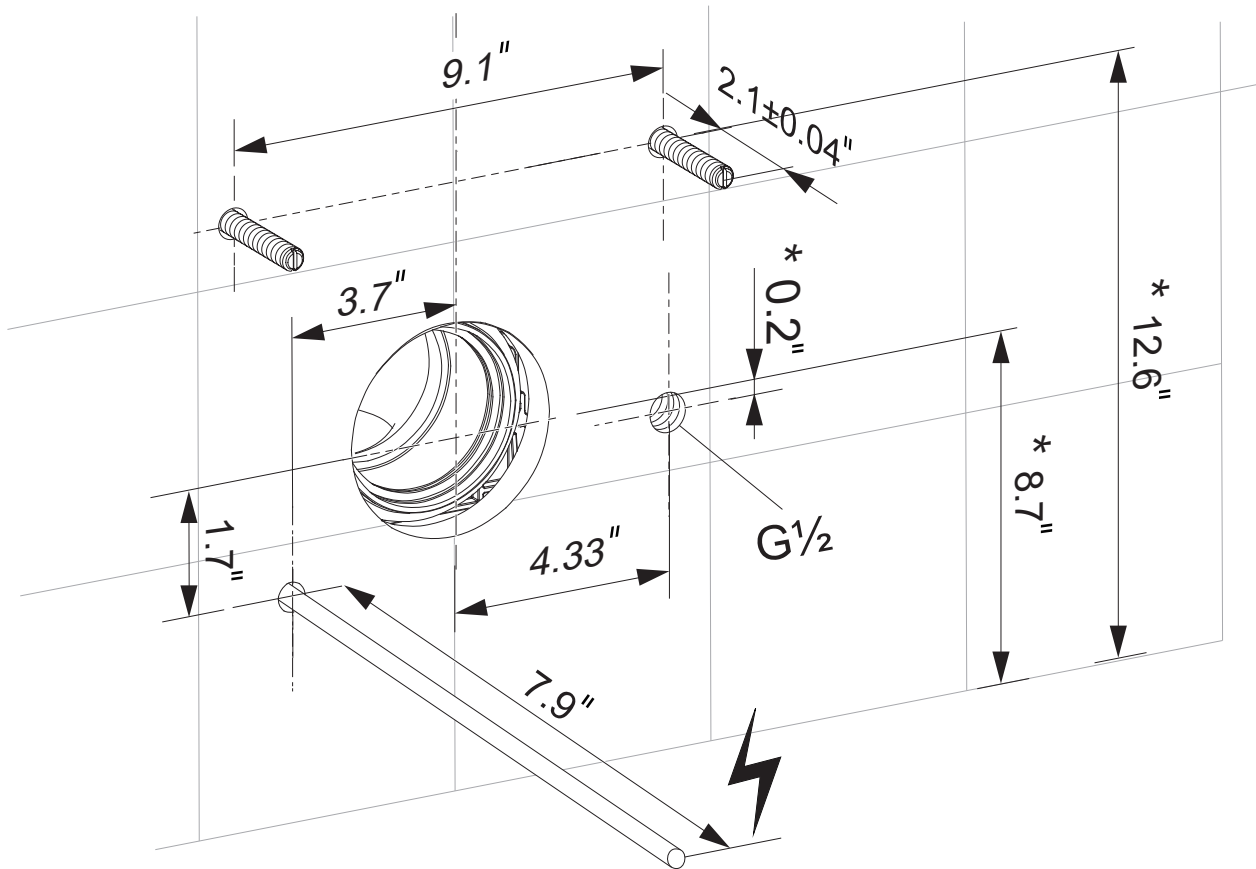


TOILET INSTALLATION

PRE-INSTALLATION CONFIRM

Reserve installation space according to the dimensions in the diagram (symbols "*" indicate recommended sizes) to ensure proper connection of the water supply pipe.

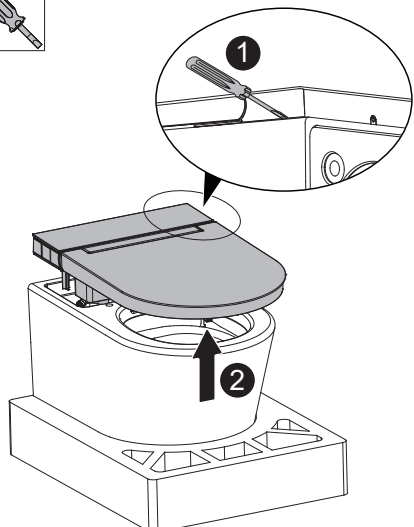
Before installation, open the water supply valve to flush out mud and debris from the pipes. This prevents blockage and ensures smooth water flow.



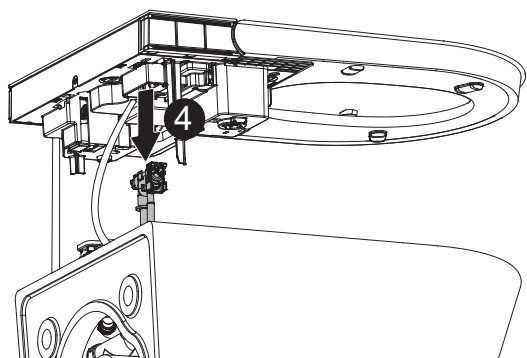
This circuit must be equipped with a leakage protection function and can be turned off separately.

TOILET INSTALLATION

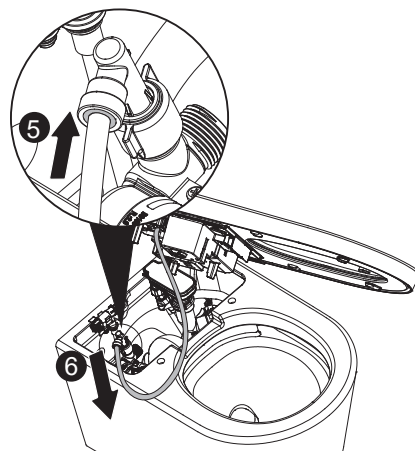
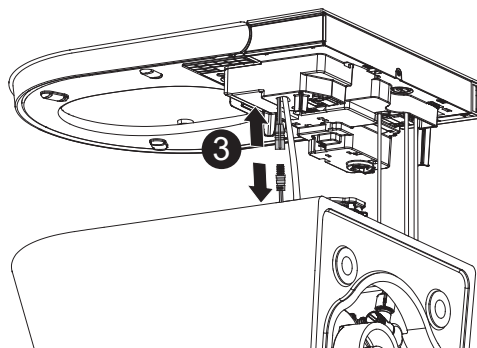
1 



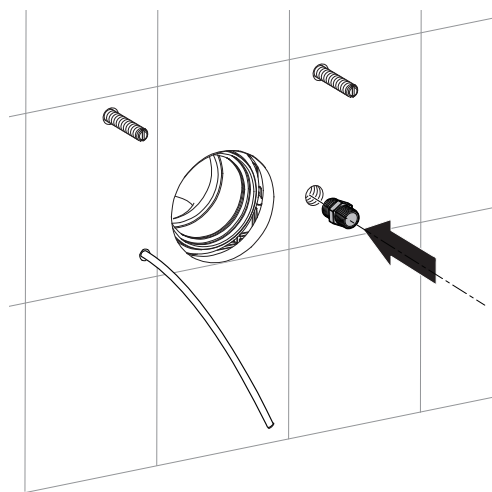
! Insert a slotted screwdriver into the position shown in (Fig. 1) and pry it up.



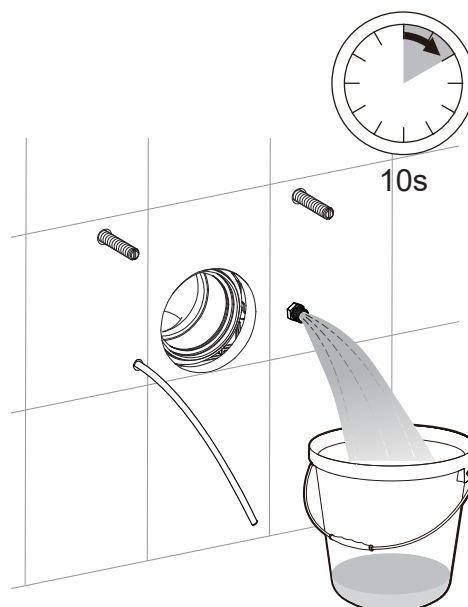
TL-WHFF03-WH Only



2

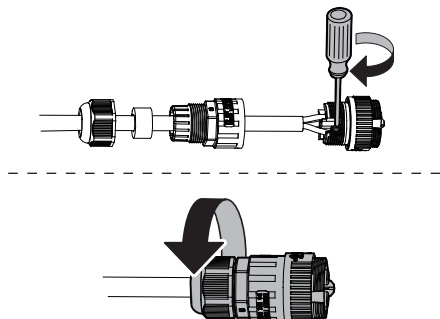
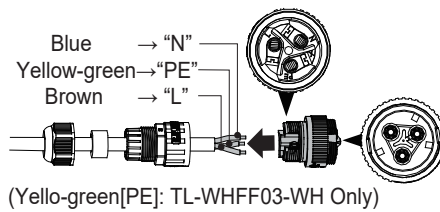
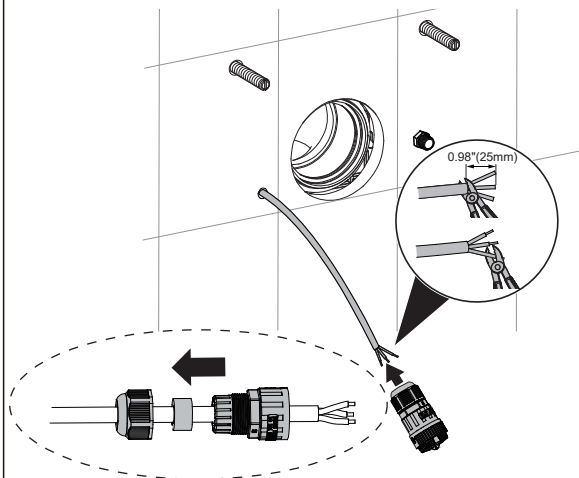


3

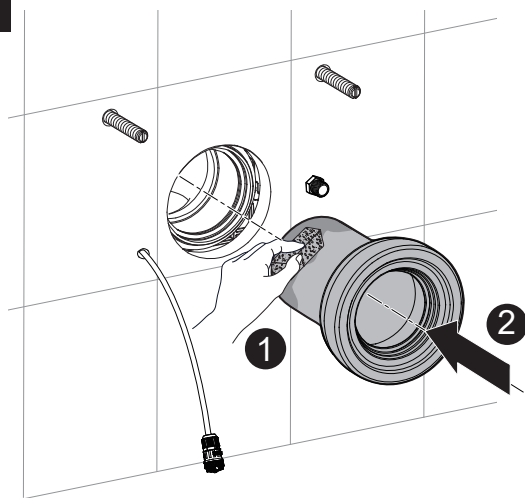


TOILET INSTALLATION

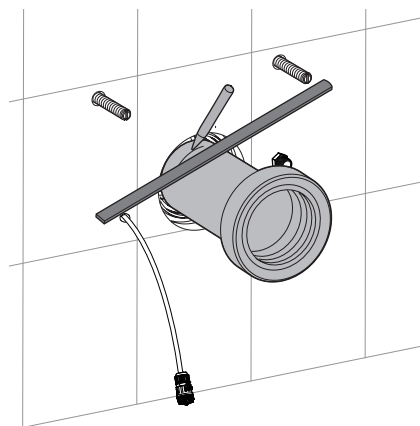
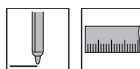
4



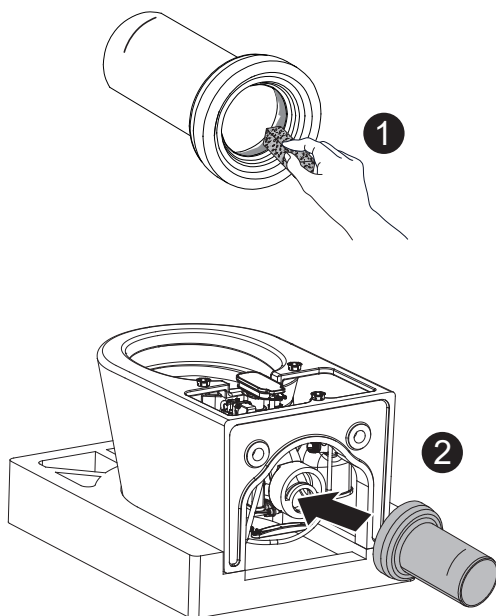
5



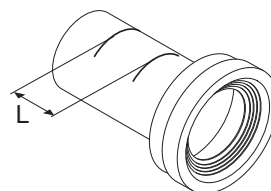
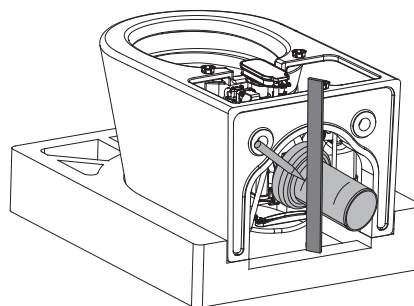
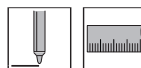
6



7

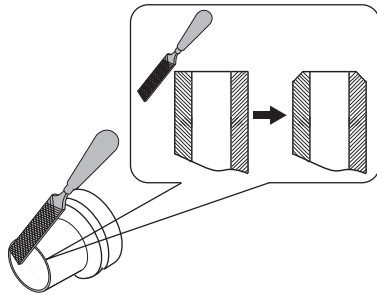
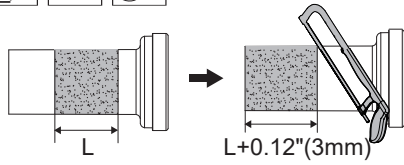
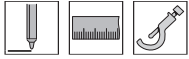


8

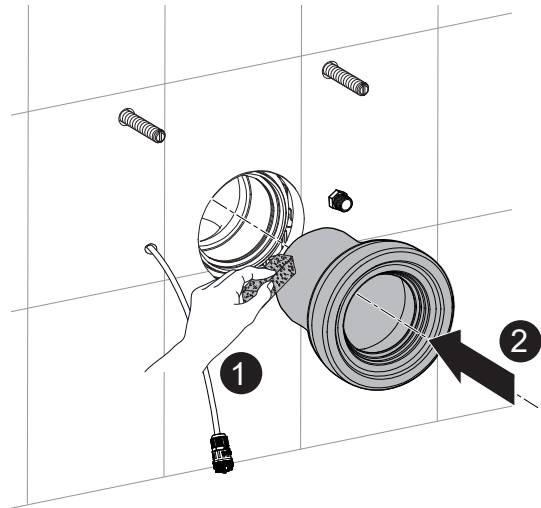


TOILET INSTALLATION

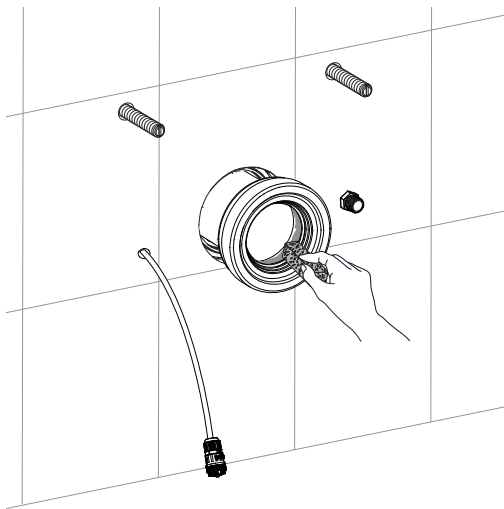
9



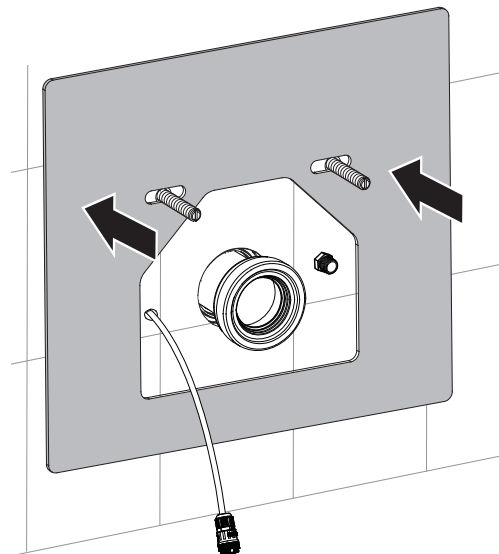
10



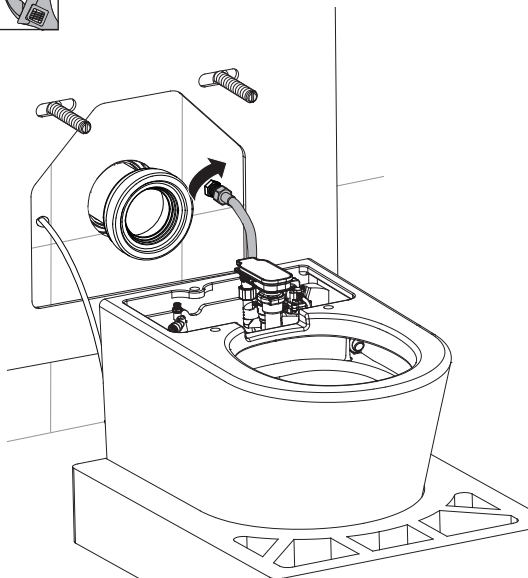
11



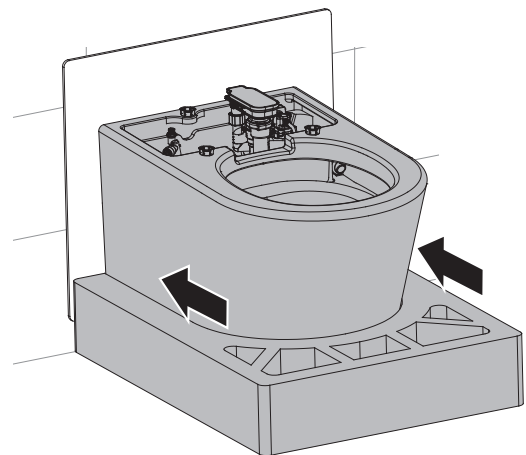
12



13



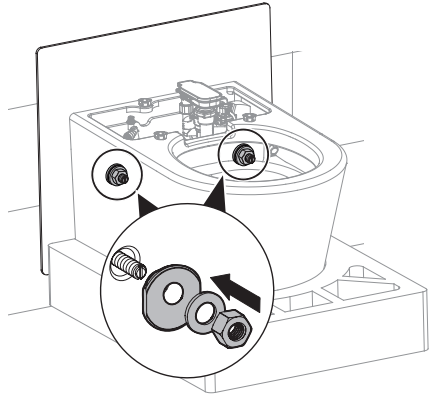
14



Place the toilet about 2" (50mm) away from the wall and align the toilet drain with the drain straight, then push back against the wall.

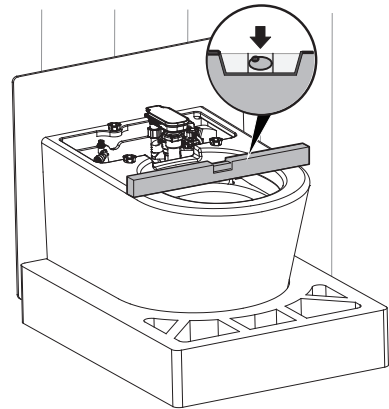
TOILET INSTALLATION

15 

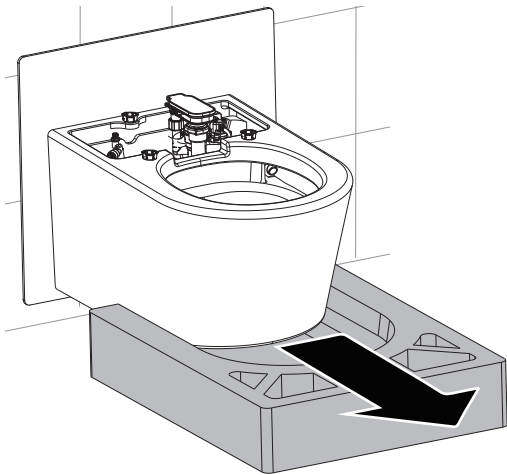


! Adjust the length of the screw rod according to the actual installation situation.

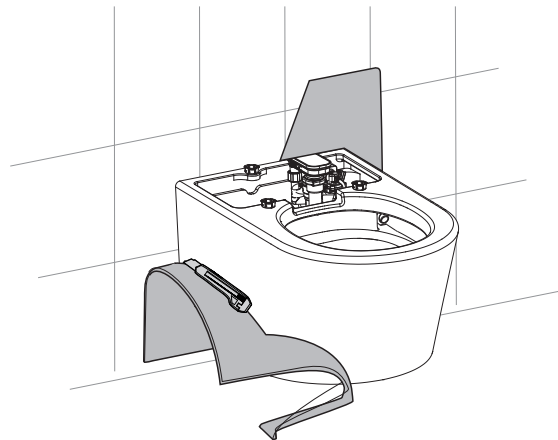
16 



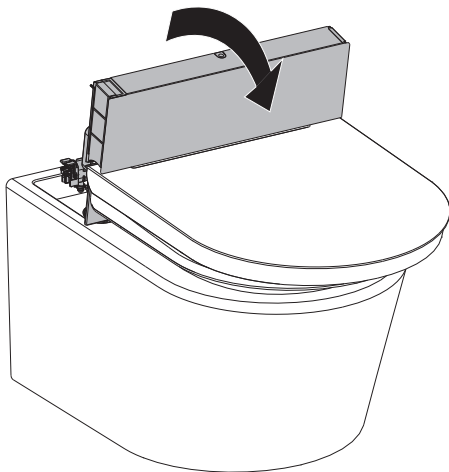
17



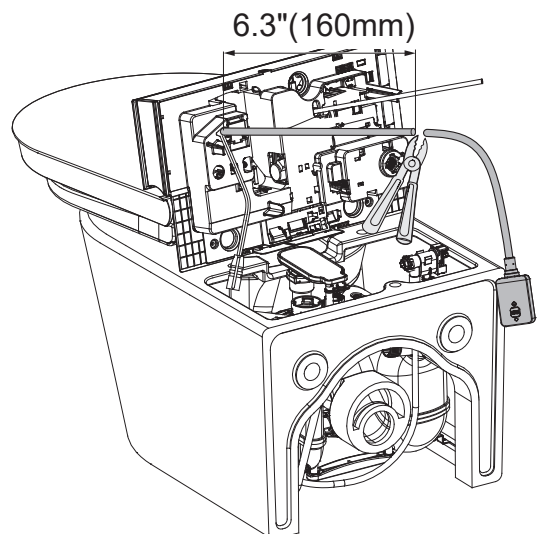
18 



19

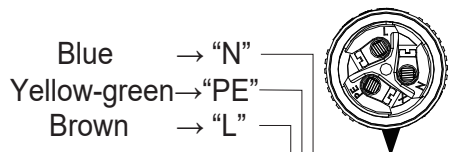
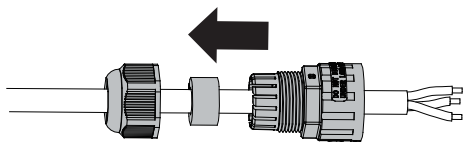
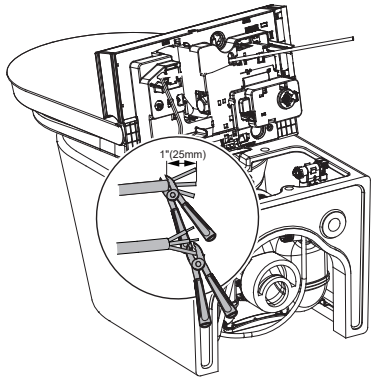


20

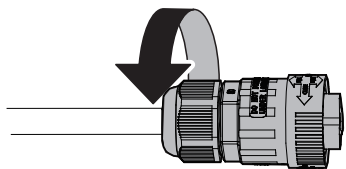
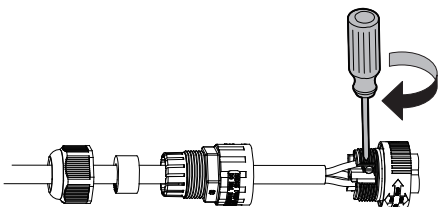


TOILET INSTALLATION

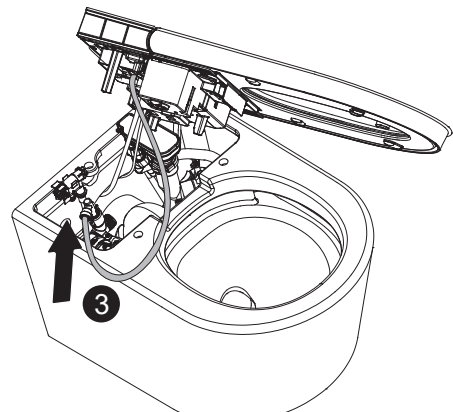
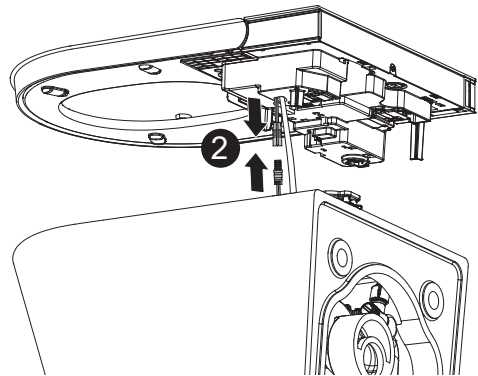
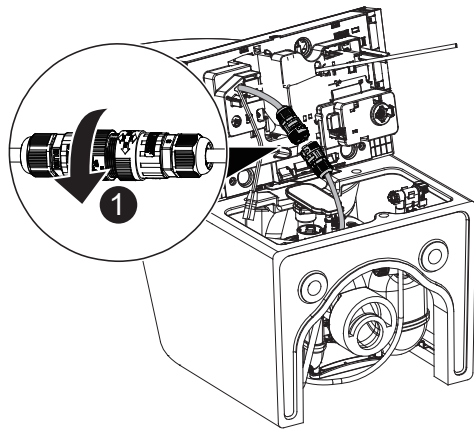
21



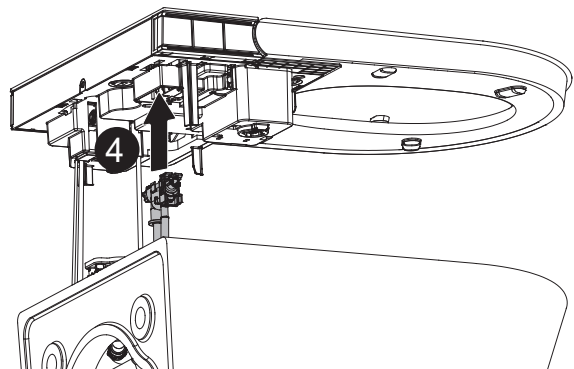
(Yellow-green[PE]: TL-WHFF03-WH Only)



22

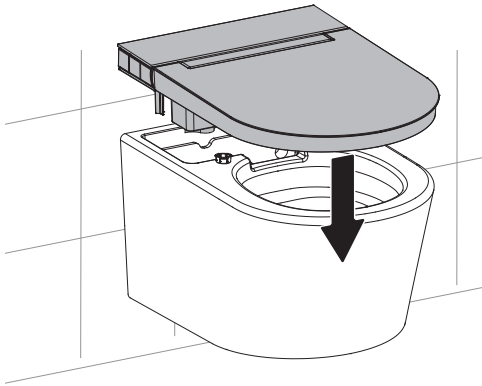


TL-WHFF03-WH Only

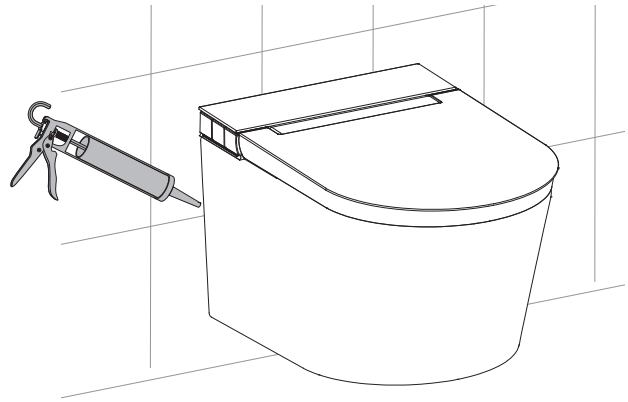


TOILET INSTALLATION

23



24

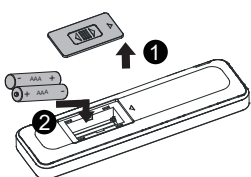
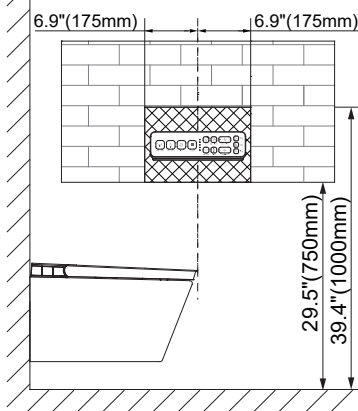


REMOTE CONTROL INSTALLATION

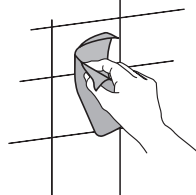
Please follow the installation instructions corresponding to the remote-control model of your product.

TL-WHFF03-WH

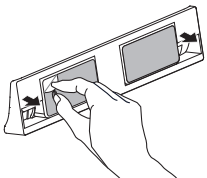
☒ Reference range of a convenient position for putting the remote control.



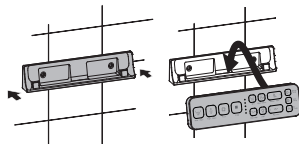
1. Install AAA batteries (Not Included)



2. Clean the wall surface for mounting the holder.



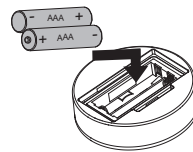
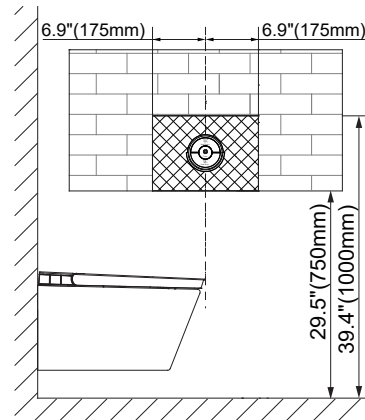
3. Remove the adhesive backing from the rear of the remote-control holder.



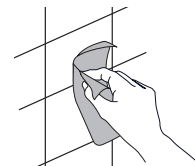
4. Stick the holder onto the wall and place the remote control on it.

TL-WHSF03-WH

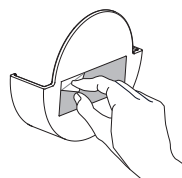
☒ Reference range of a convenient position for putting the remote control.



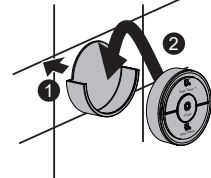
1. Install AAA batteries (Not Included)



2. Clean the wall surface for mounting the holder.



3. Remove the adhesive backing from the rear of the remote-control holder.



4. Stick the holder onto the wall and place the remote control on it.

OPERATION INSTRUCTIONS

TEST BEFORE USE

Before officially using the toilet, please turn on the water valve and connect the power supply. Check whether there is any water leakage and whether all functions are working properly.

FOR TL-WHSF03-WH

Function on cover

Function	Symbol	Operation	Remarks
Seat Temp /Ambient Light/Night Light		Short press the button to lower the temperature.	3 levels approx. 91.4°F–98.6°F (33°C–37°C).
		Long press the button for about 3 seconds to turn the ambient light on/off. The ambient light is on by default.	/
		Short press the button to raise the temperature.	3 levels approx. 91.4°F–98.6°F (33°C–37°C).
		Long press the button for about 3 seconds to switch night light mode.	Always on, Smart night light, Off
Flush		Press the flush button for flush.	The toilet can still flush in the event of a power failure.
Off-seat Auto Flush	/	After sitting for more than 5 seconds, leaving the seat for a set period (default: 10s) will trigger automatic flushing.	For detailed settings of the auto flush time after leaving the seat, please refer to the remote control instructions.

Remote Control

Function	Symbol	Operation	Remarks
Pairing		Remove the remote battery, cut power to the bidet seat for 30s, then restore power. Wait for 3 short beeps, install the battery, and hold [Flush] until 3 long beeps indicate successful pairing. If 2 long beeps sound or the remote doesn't control the seat, repeat the pairing.	Replace the remote only when needed and ensure it has sufficient power before pairing.
Flush		Press the flush button for flush.	/
Silence Setting		Press [Flush] and [Seat Temp-] together for 3s to toggle silent mode.	/
Restore Factory Settings		Press [Flush] and [Seat Temp+] together for 3s to restore factory settings.	/
Off-seat Auto Flush Time Setting		Press and hold [Flush], then briefly press [Seat Temp+] or [Seat Temp-] to set the off-seat auto flush time (0–3 gears).	Default is gear 2. 0 = off, 1 = 5s, 2 = 10s, 3 = 15s.
Seat Temp Regulation /Intelligent Power Saving/ Seat Temp Intelligent Control		Short press [Seat Temp+] to raise seat temperature.	3 gears, default gear 2.
		Long press [Seat Temp+] for 3s to toggle intelligent power saving.	Default disabled.
		Short press [Seat Temp+] to lower seat temperature.	3 gears, default gear 2.
		Long press [Seat Temp+] for 3s to toggle intelligent seat temperature control.	Default disabled.
Secondary Settings Mode		Long press [Seat Temp+] and [Seat Temp-] together for 3s to enter secondary setting mode.	Auto-exits after 15s.
The following settings require entering secondary setting mode before operation.			
Smart Night Light		Long press [Flush] and [Seat Temp-] together for 3s to toggle smart night light function.	Default enabled.

OPERATION INSTRUCTIONS

FOR TL-WHFF03-WH

Function Introduction

On-seat: Must touch the seat ring sensor while sitting for the product to operate normally.

Nozzle self-cleaning: Automatically starts or stops when the user is on the seat.

Prompt tone: Enabled by default. When on, a short tone is emitted for valid commands, two short tones for invalid commands, and a long tone when reaching maximum or minimum settings.

Intelligent control: Default mode after power-on. Water, seat, and air temperature adjust automatically with ambient changes.

Intelligent power-saving: Off by default. When enabled via remote, the system learns usage habits to heat the seat efficiently.

Deodorization: On by default. Starts after sitting, stops during cleaning, and stops 30s after leaving the seat.

Automatic flush: Starts 15s after leaving the seat if seated for more than 5s (default).

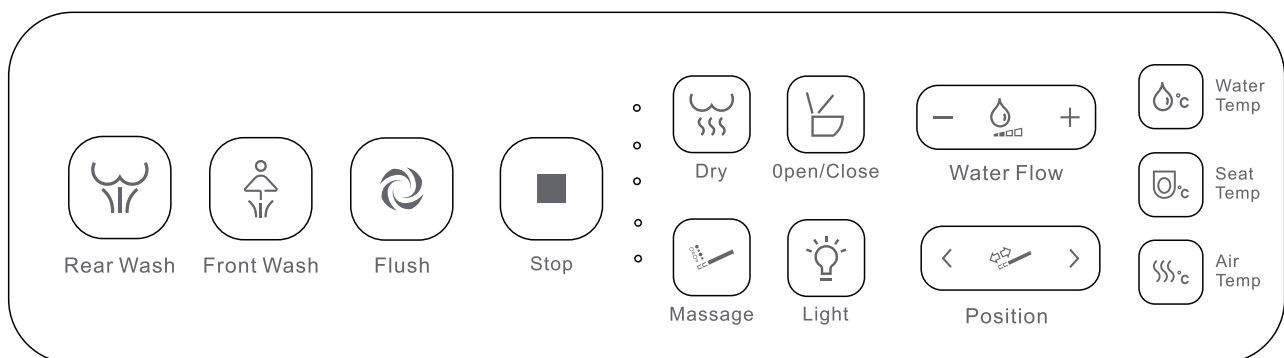
Anti-low temperature scald: After 5 minutes of sitting, seat temperature automatically reduces to 84.2°F (29°C).

Night light: Smart night light is on by default and can be adjusted via remote. Automatically adjusts based on ambient light.

Auto open lid: Lid opens when detecting a person nearby and closes after 2 minutes of no movement .







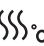



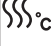
Ultraviolet sterilization nozzle: Starts 10s after leaving the seat and shuts off 120±5s later. Stops immediately when the user sits down. Automatic sterilization is fixed to intelligent mode.

REMOTE CONTROL















OPERATION INSTRUCTIONS

REMOTE CONTROL (FOR TL-WHFF03-WH)




Function	Logo	Operation	Remark
Pairing	■	Remove all batteries from the remote control, cut off power to the toilet for at least 30s, then restore power. Wait for the toilet to beep and the night light to flash, indicating pairing mode. Install the remote batteries, wait for the gear indicator to turn off, and hold the [Stop] key until the toilet emits a confirmation sound. If the toilet beeps twice and the night light stops flashing but pairing fails, repeat the process.	Remote replacement is only needed when you replace the remote. Ensure the remote has sufficient battery power before pairing.
Rear Wash		After sitting, press [Rear Wash] to start.	If not stopped manually, it will automatically stop after 3 minutes.
Front Wash		After sitting, press [Front Wash] to start.	
Stop	■	Press [Stop] to end any wash, clean, or dry function.	/
Massage		During washing, press [Massage] repeatedly to cycle through mobile massage → strong & weak massage → mixed massage → off.	/
Flush		Press the [Flush] to start flushing.	/
Dry		After sitting, press [Dry] to start drying.	Wipe large water droplets first; drying lasts about 3 minutes.
Night Light		Press [Night Light] to cycle through Smart, Always On, and Off.	Blocking the smart sensor disables the night light.
Air Temp		Press [Air Temp] to set or increase air temperature; the gear indicator lights up accordingly. At the highest gear, pressing again turns off air temp and all indicators.	There are 3 gears, default is gear 2.
Water Temp		Press [Water Temp] to set or increase water temperature; the gear indicator lights up accordingly. At the highest gear, pressing again turns off water temp and all indicators.	There are 3 gears, default is gear 2.
Water Flow		Press [+] or [-] on the water volume to increase or decrease flow; the indicator lights adjust accordingly.	There are 5 gears, default is gear 3.
Position		Press [>] or [<] on the nozzle position to move it forward or backward; the indicator lights adjust accordingly.	There are 5 gears, default is gear 5.
Temperature Intelligent Control	■ 	Long press [Stop] + [Air Temp] for 3s to toggle temperature intelligent control on/off (default off).	In this mode, the system automatically adjusts seat, wind, and water temperature based on ambient conditions. Turn off intelligent power-saving before enabling this function for best results.
Manual Cleaning	■ <	When not seated, press long press [<] on nozzle position + [Stop] for 3s to activate this function.	During cleaning, if someone sits or presses [Stop], the nozzle retracts and manual cleaning ends.
Running Water Replacement	■ -	When not seated, long press [Stop] + [-] for 3s to start the running water replacement function. The nozzle stays retracted while all water pathways are flushed with running water for 90±5s.	During operation, press [Stop] on the remote to cancel the running water replacement.

OPERATION INSTRUCTIONS

REMOTE CONTROL (FOR TL-WHFF03-WH)

Function	Logo	Operation	Remark
Sound On/Off		Long press [Stop] + [Water Temp] for 3s to turn the operation prompt tone on or off.	/
Eco Mode		Long press [Stop] + [Seat Temp] for 3s to turn the Intelligent Power-Saving function on or off.	/
Auto Flush After Lid & Seat Closed	 	Press and hold [Open/Close] + [Flush] for 3s to toggle the auto-close flush function. A short beep indicates it's on; a long beep indicates it's off.	This function is off by default. In auto-close flush mode, the lid closes automatically before flushing.
Deodorization		Long press [Stop] + [+] for 3s to turn the deodorizer on or off.	/
Lid/Seat Open		Press [Open/Close] to lift the upper cover. Press again to lift the seat ring. Press once more to close both. The cycle then repeats.	/
Auto Open Lid And Seat Mode Setting		Hold [Stop] + [>] for 3s to enter the induction cover setting. The current status is shown. Press [Open/Close] to switch modes in sequence: single-sensing open, double-sensing open, or sensing off. The modes cycle with each press.	Default mode is single open. One light = single open, two lights = dual open, three lights = off.
		Hold [Stop] for 3s to exit setting mode, or it will exit automatically after 20s of inactivity.	There are 3 gears, default is gear 2.
Induction Flip Cover Distance Adjustment		Hold [Stop] and [Open/Close] for 3s, then press repeatedly to cycle through gears 1–3.	1st gear: one indicator light; 2nd gear: three indicator lights; 3rd gear: five indicator lights.
Sleep Standby Mode		Hold [Stop] and [Massage] for 3s to enter sleep mode. When activated, a short beep will sound.	Sit down to exit standby mode.
Off-seat Flush Time Setting		Hold [Stop] and [Flush] for 3s to enter flush time setting. Then press [+] or [-] to adjust the time; the indicator lights will change accordingly.	There are four modes in total: Off, 5s, 10s, and 15s.
		Hold [Stop] for 3s to exit setting mode, or it will exit automatically after 20s of inactivity.	/

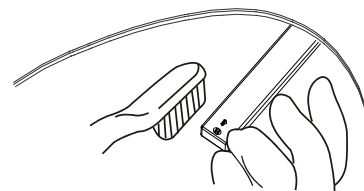
TOILET BODY OPERATION

Function	Logo	Operation	Remark
Front Wash/ Rear Wash/ Ambient Light/ Night Light		When seated, press the button to start the front wash.	Cleaning stops automatically after about 3min.
		Long press the button for about 3s to switch to night light mode.	Three modes are available: night light normally on, smart night light, and off.
		When seated, press the button to start the rear wash.	Cleaning stops automatically after about 3min.
		Hold the button for 3s to toggle the ambient light, which is on by default when powered on.	/
Flush		Press the button.	This function operates without electricity.
Off-seat Auto Flush	/	After sitting for over 5s and then leaving the seat for a set time (default: 15s), flushing will start automatically.	For off-seat auto flush timing, please refer to the remote control instructions.

CLEANING & MAINTENANCE

NOZZLE CLEANING(TL-WHFF03-WH only)

When not seated, press [<] on the nozzle position and [Stop] for over 3s. The nozzle will extend for cleaning. Gently wipe it with a soft cloth, sponge, or small brush dipped in a neutral cleaner. The nozzle will retract automatically after sitting, pressing [Stop], or after 3 minutes.



FILTER CLEANING

The filter screen should be cleaned regularly. If the toilet fails to fill properly, shows reduced water pressure, or malfunctions, please check and clean the filter screen first.

Follow these steps:

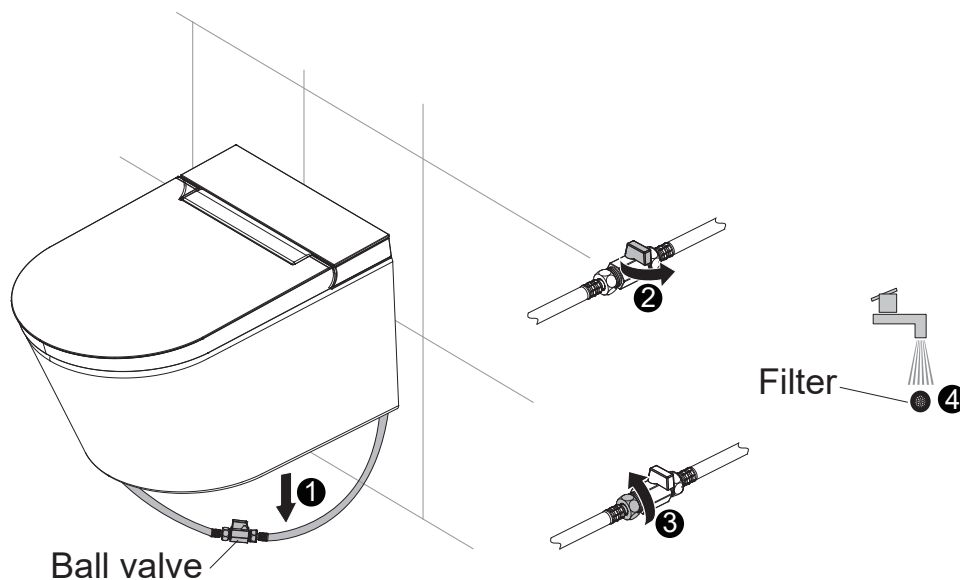
Pull out the water inlet hose assembly from the toilet base (Fig. 1).

Close the ball valve to stop the water supply (Fig. 2).

Detach the water inlet hose from the ball valve and drain residual water (Fig. 3).

Remove the filter screen from the inlet hose and rinse it under running water (Fig. 4).

Reinstall the water inlet hose assembly in reverse order and check for leaks.



SURFACE CLEANING

 Turn off the power before cleaning!

Use a soft cloth or smooth sponge dampened with water or a neutral cleaner to wipe the product surface.

Lift the cover and seat when cleaning other areas. Ensure all cleaner is removed from the ceramic before closing the cover and seat, as leftover cleaner may corrode the ceramic surface.

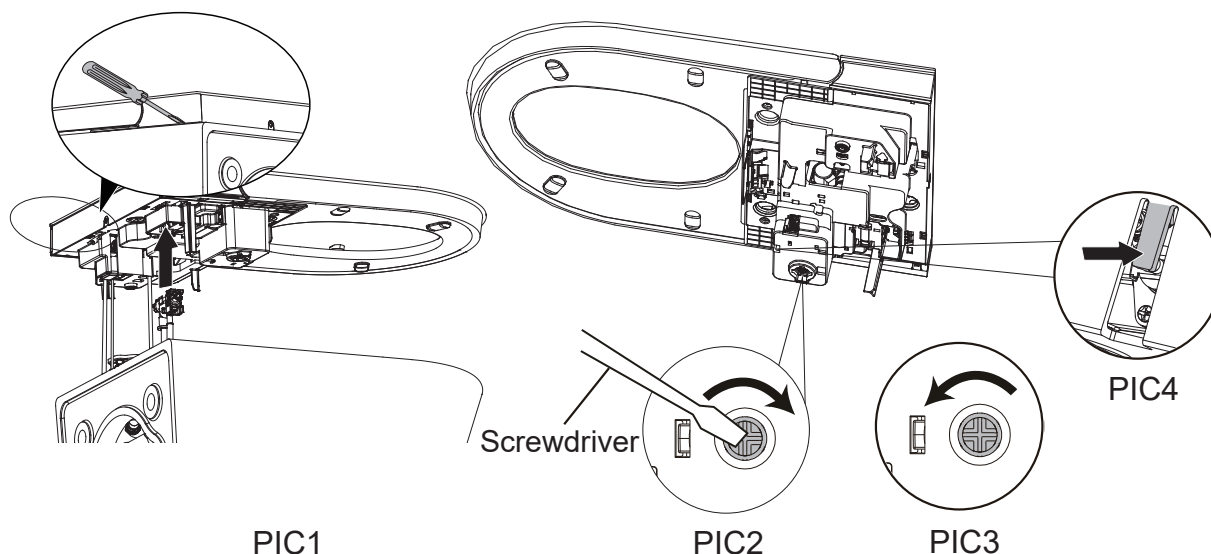
CLEANING & MAINTENANCE

LONG PERIODS OF INACTIVITY

If the product will be unused for an extended period, follow these steps:

1. Disconnect the power.
2. Close the angle valve to stop the water supply.
3. Remove the water inlet hose from the angle valve and drain any water from it.
4. Open the back cover with a flat-head screwdriver and lift out the main unit (see Pic1). For full disassembly and installation instructions, refer to "TOILET INSTALLATION" section.
5. Tilt the main unit downward (see Pic2) and drain water by turning the drain plug in the direction of the product logo with a screwdriver. After draining, re-secure the plug (see Pic3). Leaving the plug unscrewed may cause leaks upon reuse.
6. Before reinstalling the cover and seat, press the actuator inward (see Pic4) to ensure the internal protection switch is reset.

! When draining water, gently shake the machine side to side to help remove all the water.



-Reinstall the smart seat and water inlet hose to their original positions.

-Remove the remote control battery and store it separately in a place out of reach of children to prevent accidental ingestion.

WINTERIZATION

Ensure water temperature does not fall below 39.2°F(4°C). Frost or frozen water can damage the system and cause leaks. If water or ambient temperature drops below 39.2°F(4°C), stop using the product and follow these steps:

1. Disconnect the power or press the leakage protector test key.
2. Close the angle valve to stop the water supply.
3. Drain the internal water as described earlier in the manual.

! Failure to drain water may cause product damage and leaks.

Condensation may form when moving the product from a cold to a warm environment. Allow it to sit for a few hours before connecting water and power.

PRODUCT SPECIFICATIONS

Items	Description	
	TL-WHFF03-WH	TL-WHSF03-WH
Flush Volume	3.8L(1.0gpf)	
Rated voltage	AC120V, 60Hz	
Rated power	910W	50W
Max power consumption	1500W	/
Cable length	About 1.3m	
Applicable water pressure (Static pressure)	0.14MPa-0.86MPa(20.3PSI-125PSI)	
Applicable water TEMP	39.2 - 95°F(4°C-35°C)	
Applicable TEMP range	39.2 - 104°F(4°C-40°C)	
Cleaning volume	≥0.45L/min	/
Water TEMP adjustment	95°F-102.2°F(35°C-39°C)	/
Seat TEMP adjustment	91.4°F - 98.6°F(33°C-37°C)	
Warm wind adjustment	100.4°F-114.8°F(38°C-46°C)	/
Heating power	1400W	/
Seat heating power	50W	
Warm wind power	200W	/
Wind volume	≥0.2m³/min	/
Nozzle & Seat	Anti-bacterial material	
Water proof	IPX4	
Size (LxWxH)	24.1" × 15.8" × 14.4" (612×400×365mm)	
Ceramic glaze surface	Antibacterial self-cleaning glaze	



**THE TOILET'S FEATURES WILL NOT
WORK UNLESS YOU'RE SITTING
ON THE SEAT!**

TROUBLE SHOOTING



For minor malfunctions, refer to the solutions below. If the issue persists, contact customer support for further inspection and repair.

Notice: In the event of water leakage, immediately turn off the power and close the water inlet valve.

● If any of the following occur, disconnect the power immediately:

1. Continuous beeping.
2. Frequent tripping of the leakage protector.

■ No function

Malfunction	Cause	Solution
No function	Product in Stand-by mode.	Exit standby mode by pressing the front or rear wash key on the cover and seat, or by sitting down.

■ Remote control

Malfunction	Cause	Solution
Remote control does not work	Battery low.	Replace batteries.
	Battery wrong oriented.	Reinstall batteries with correct oriented.
Remote control can't control toilet	Battery in low.	Replace batteries.
	Control is out of range.	Please use the remote control within 2m range to the product.

■ Flush

Malfunction	Cause	Solution
Auto-flush not working	Seated time is less than 5 seconds.	Seated time longer than 5 seconds.
	Auto-flush function off.	Setting the Auto-flush time.
Press the water flush button on the remote control, but the flushing function does not activate.	Auto-flush interval less than 30s.	Auto-flush interval more than 30s.
Flush function not working	Water supply abnormal.	Check if the water supply is normal, the water inlet switch is on, and the filter screen is not clogged.
The flushing pressure is insufficient.	The water pressure is too low.	Ensure the supply pressure is above 0.14 MPa (20.3 PSI).
	Insufficient water storage.	Ensure the interval between two flushes is more than 60 s.

■ Night light

Malfunction	Cause	Solution
No night light	Night light closed.	Set module to smart status.
	Night light in smart mode, ambient light is too light.	This is normal.
The night light stays on and cannot be turned off.	Night light in smart mode, ambient light is too dark.	This is normal.

TROUBLE SHOOTING

FOR TL-WHFF03-WH

■ Cleaning

Malfunction	Cause	Solution
No wash	Seat not detected.	Start the wash function after sitting properly.
Nozzles extend slowly	Normally takes about 5 s.	This is normal.
Low water volume	Filter is blocked.	Clean the filter.
No heat on initial use	During storage or transport, high temperature may cut off TEMP control, preventing heating.	Press the cover base reset button to reset. (See Pic4 for long-term storage cleaning and maintenance details.)
Nozzles stop spraying and retract.	Cleaning function runs for only 3 minutes per cycle.	Restart the cleaning function.
	User moved away from the seat sensor.	Sit properly and ensure contact with the seat sensor before using the wash function.
	Abnormal water or power supply caused overheating and triggered self-protection.	When water and power return to normal, restart the system.

■ Deodorization

Malfunction	Cause	Solution
No function	User moved away from the seat sensor.the seat.	Sit properly and ensure contact with the seat sensor.
	Cleaning function in progress.	This is normal. The deodorization function turns off during the cleaning cycle.
	Remote control operation may disable the deodorization.	Press [Stop] and [+] to restore.
Keep operating after leave the seat	After leaving the seat, deodorization will continue for 30s.	This is normal.

■ Dry function

Malfunction	Cause	Solution
Not work	User not in contact the seat sensor.	Sit properly and ensure contact with the seat sensor before using dry function.
Stop during use	Dry function runs for only 3 minutes per cycle.	Restart dry function.
	Users move out from sensor area.	Take seat and restart dry function.

■ Massage

Malfunction	Cause	Solution
Press the remote control [Massage] key does not activate massage.	The cleaning function is disabled.	Press [Massage] during cleaning.

■ Nozzle clean function

Malfunction	Cause	Solution
Nozzle retracted.	Nozzle stretching time up to 3min.	Restart the nozzle cleaning function.
When not sitting, the nozzle spraying automatically.	Sensor area is covered by a substance, water, or moisture.	Clean the sensor area.

■ Seat heating

Malfunction	Cause	Solution
Seat no heating	Seat heating function is closed.	Press the [Seat Temp] key on the remote, then press [+] to increase the seat temperature.
	ECO mode is enabled.	Hold [Stop] and [Seat Temp] on the remote for over 3 s to exit ECO mode.

TROUBLE SHOOTING

FOR TL-WHFF03-WH

■ Auto open lid

Malfunction	Cause	Solution
The lid cannot open automatically.	After manually closing the lid, if no movement is detected in the sensor area for less than 10 s.	Wait 10 s without movement and try again.
	A conductive material (e.g., water droplets or wet paper) is on the seat ring sensor.	Clean it thoroughly.
	Auto-open-lid function disabled.	Please set Auto-open lid to Single-Open or Full-Open mode.

FOR TL-WHSF03-WH

■ SEAT HEATING

Malfunction	Cause	Solution
Seat ring feels too cold	In intelligent seat temperature or power-saving mode	Please wait for the seat to warm up, or turn off intelligent temperature and power-saving mode.
Seat ring temperature decreases automatically	After sitting and heating for a period, the product enters low-temperature anti-scald protection.	This is normal. Re-seat to exit the protection mode; after 5 minutes, the seat will re-enter low-temperature anti-scald protection.
Seat heating not working	Seat heating function disabled	Set the seat ring temperature to ON using the remote control or the main unit's seat temperature button.
	Abnormal heating of the seat ring	If the problem persists, turn off the power and stop using the product. Contact your local supplier or service hotline.

