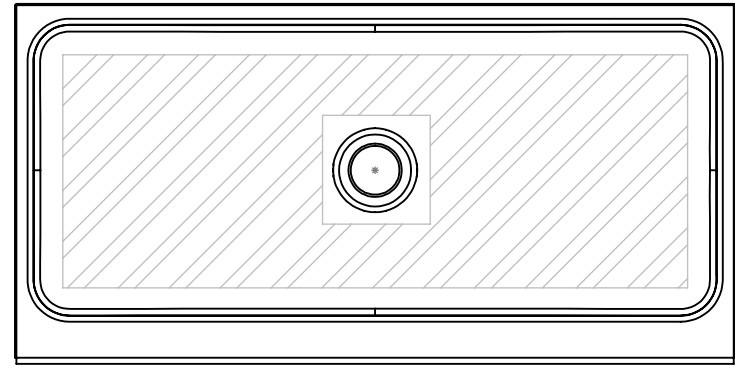
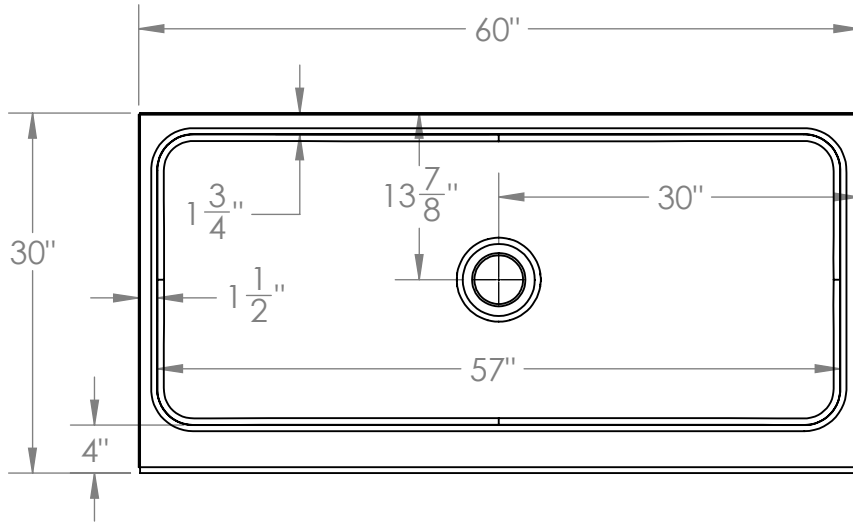


2

1

B



Shaded area represents anti-slip coverage

B

3" Apron Height

1" Tile Flange

A

A

- All dimensions are approximate. Measurements should be verified against the unit to ensure proper fit

2

1