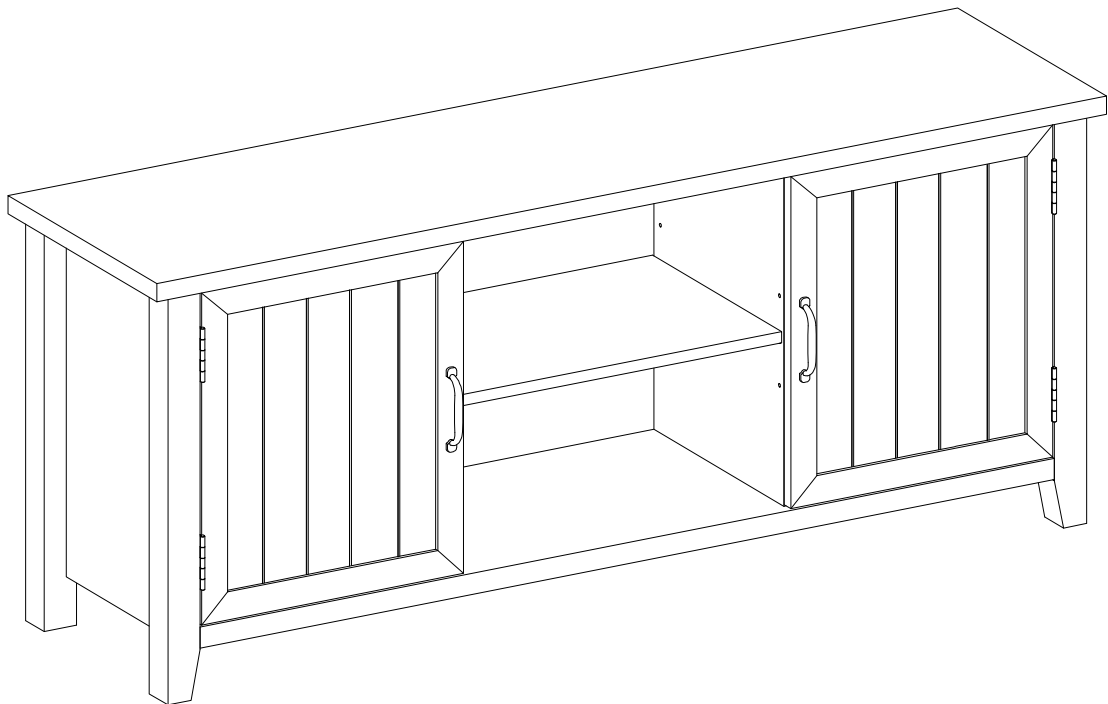


# Item # : W58CS2D

## Assembly Instructions



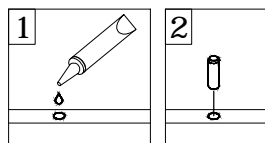
Walker Edison®

Please visit our website for the most current instructions, assembly tips, report damage, or request parts. [www.walkerredison.com](http://www.walkerredison.com)

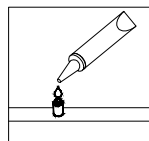
Revised 27/08/2018

# General Assembly Guidelines

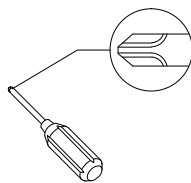
- I. Ensure that all parts and hardware are available before beginning assembly.
- II. Follow each step carefully to ensure the proper assembly of this product.
- III. Two people are recommended for ease in the assembly of this product.
- IV. The three main types of hardware used to assemble this product are: wood dowels, screws and bolts.
- V. The provided glue is to secure wood dowels in place. When first inserting dowels, locate the appropriate hole for the dowel, place a small amount of glue in the hole and insert the dowel. Wipe away excess glue immediately.



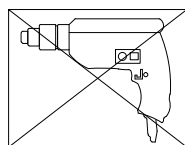
In future assembly steps when dowels are necessary to attach assembly parts together, place a small amount of glue on the end of the dowel before attaching parts together. Wipe away excess glue immediately.



- VI. A Phillips head screwdriver is required for the assembly of this product .

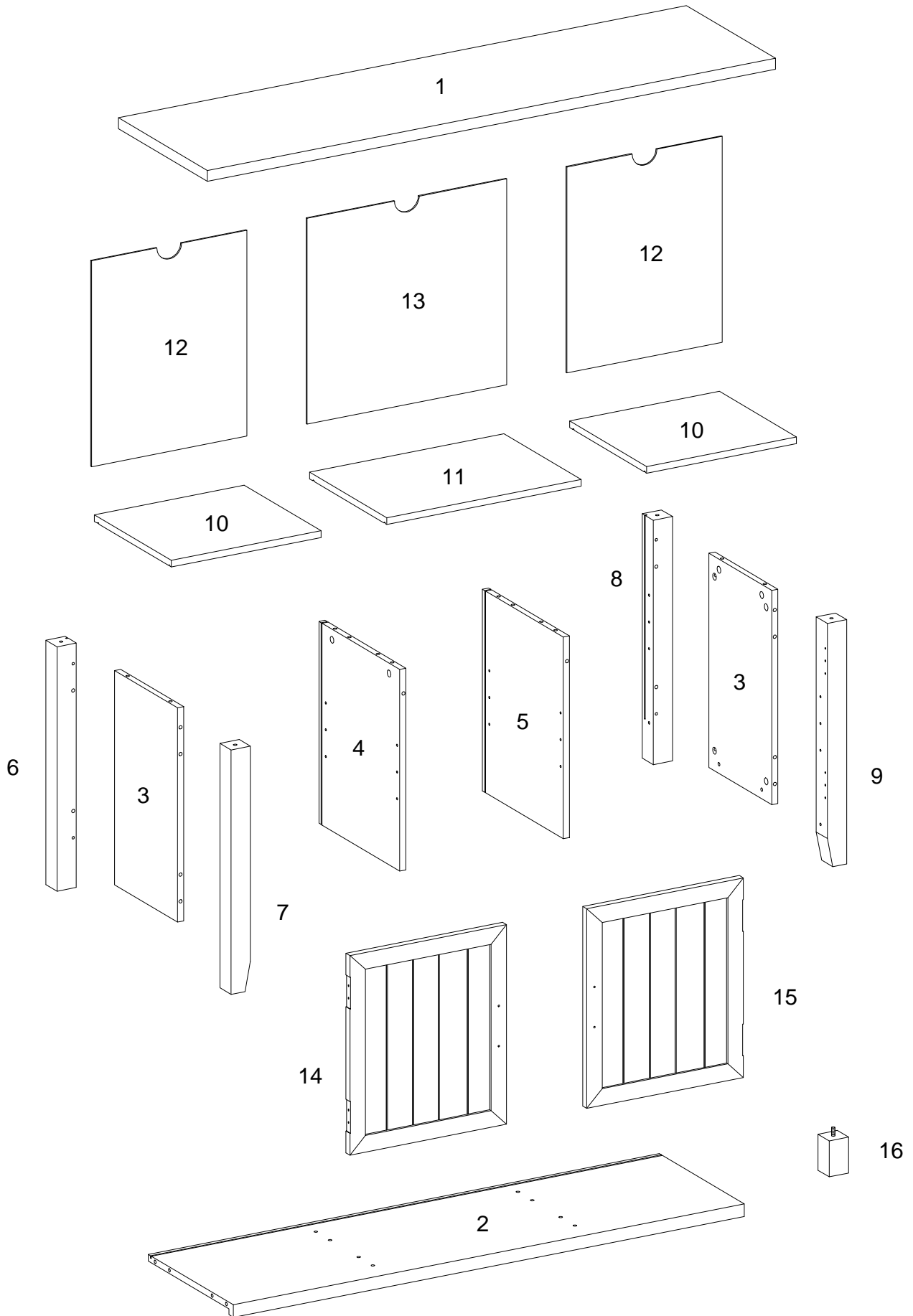


- VII. Power tools should not be used to assemble this product.


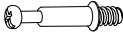
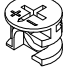




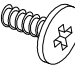

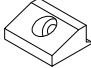
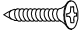
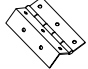





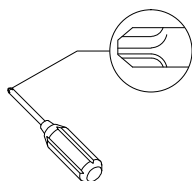
- VIII. Drill may be needed for securing product to wall.

# Parts List



# Hardware List

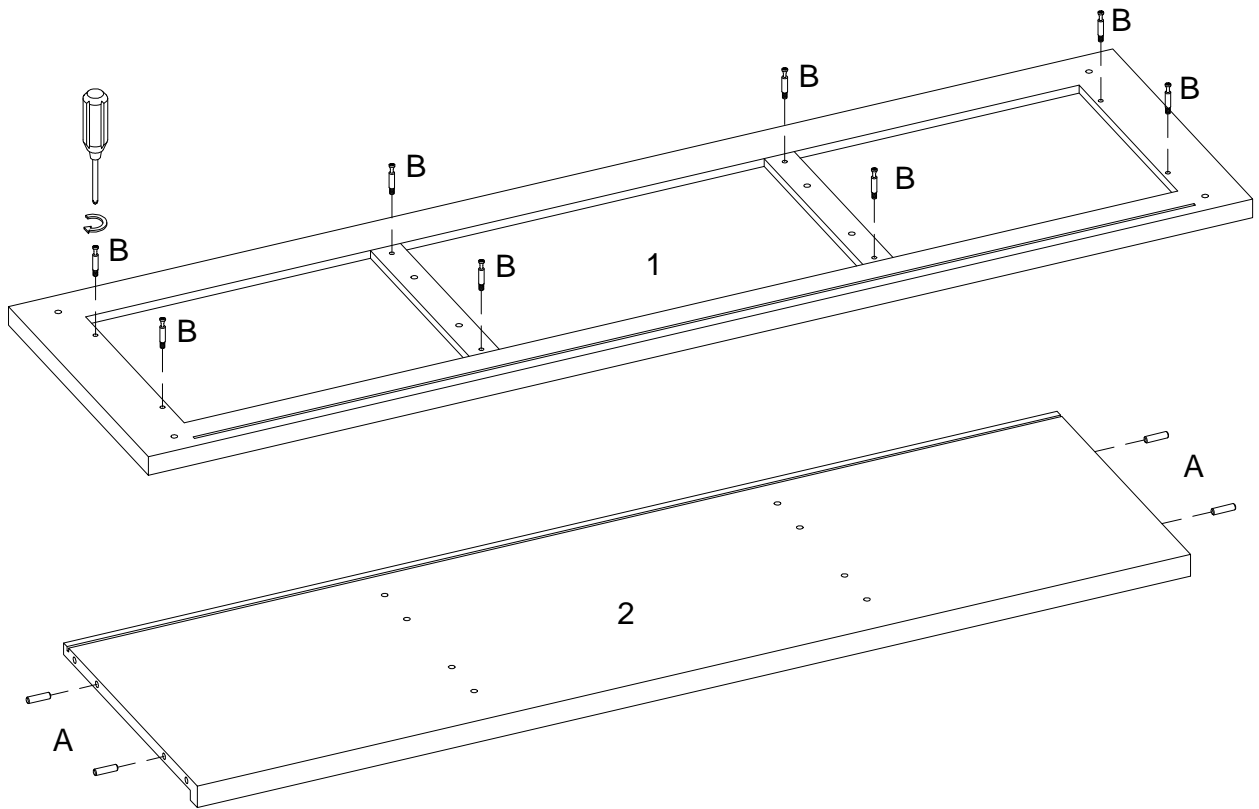
A		Ø8x30mm	Wooden dowel	24 pcs
B		Ø6x35mm	Cam bolt	20 pcs
C		Ø15x11mm	Cam lock	20 pcs
D		Ø30mm	Sticker	20 pcs
E		Ø6x50mm	Bolt	4 pcs
F		M 4	Hex Key	1 pcs
G		Ø8x5x16mm	Shelf support pin	12 pcs
H			Bolt	2 pcs
J		Ø3x17mm	Screw	12 pcs
K			Plastic wedge	12 pcs
L		Ø4x15mm	Screw	32 pcs
M			Hinge	4 pcs
N			Handle	2 pcs
P		5/32"x25mm	Handle Bolt	4 pcs
Q			Glue tube	1 pcs



Philips head screwdriver required for assembly  
(not included)

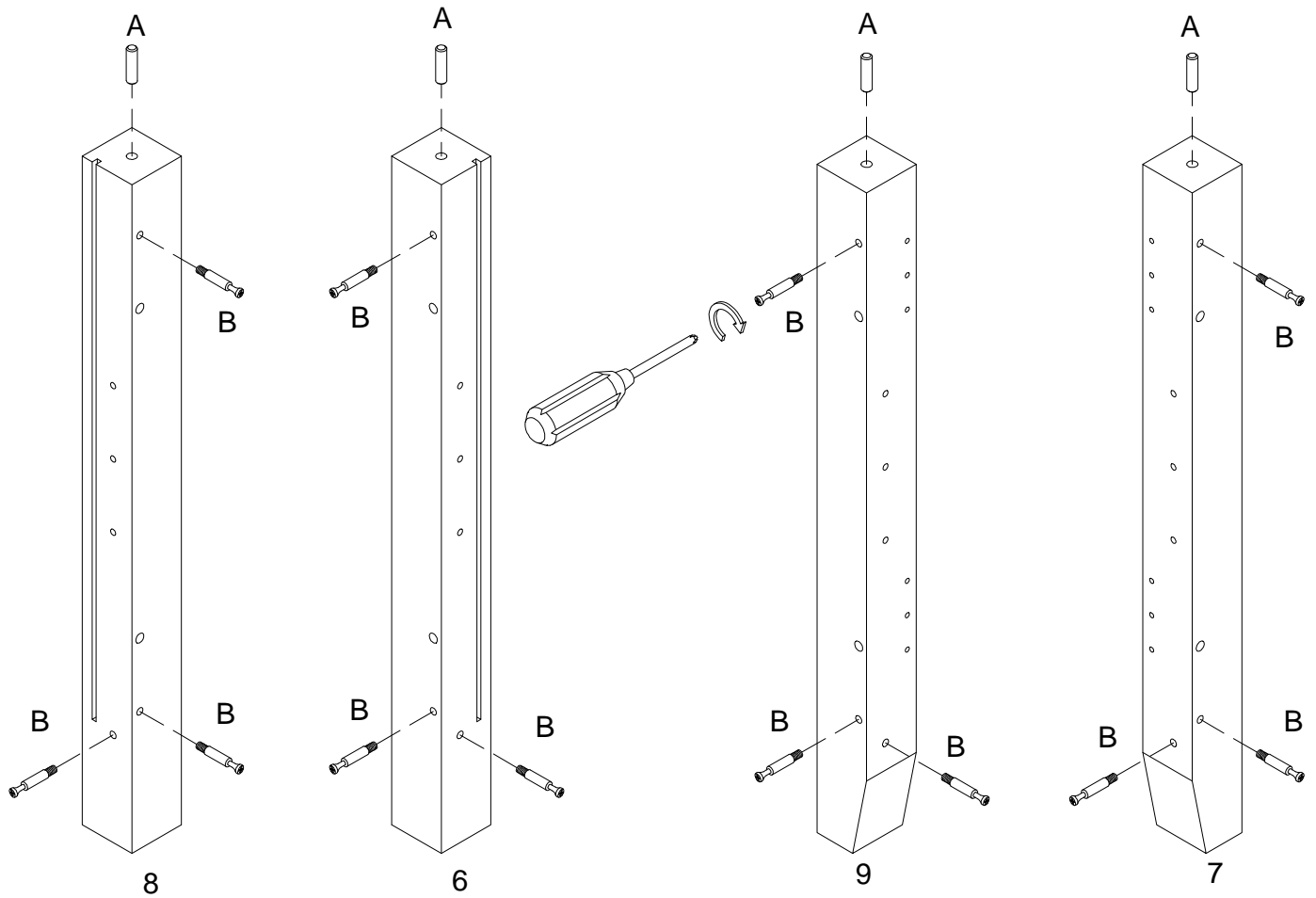
*The hardware quantities listed above are required for proper assembly.  
Some extra hardware may also have been included.*

# Step 1



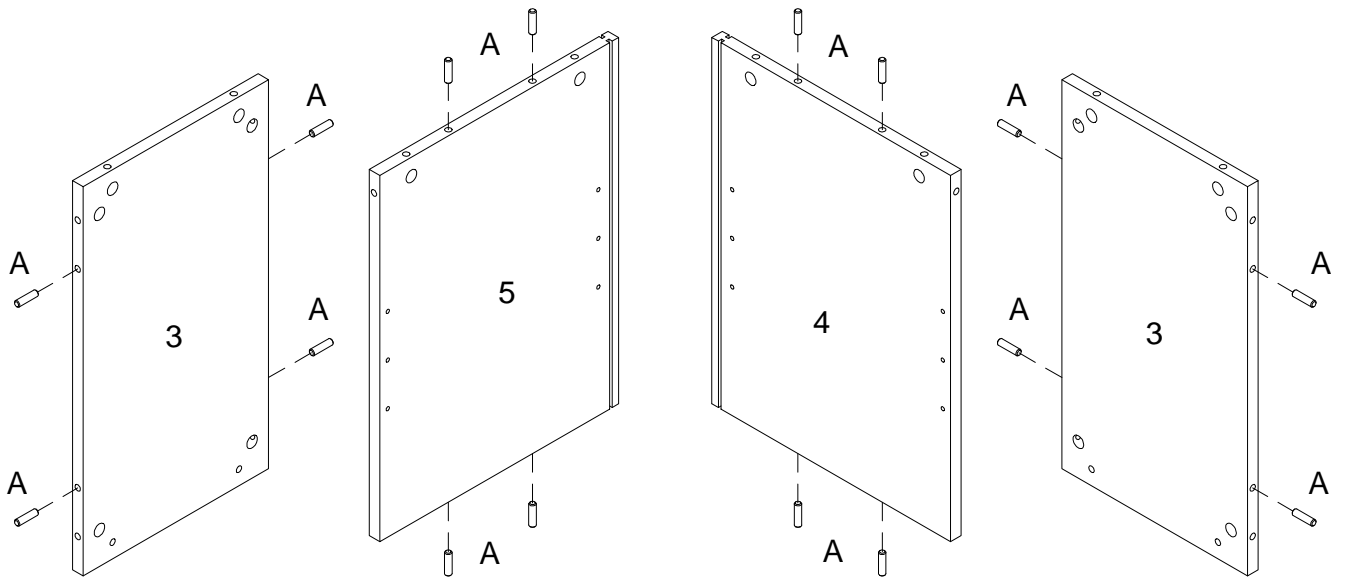
Insert wooden dowel (A) into part (2), secure cam bolt (B) with screwdriver into part (1).

# Step 2



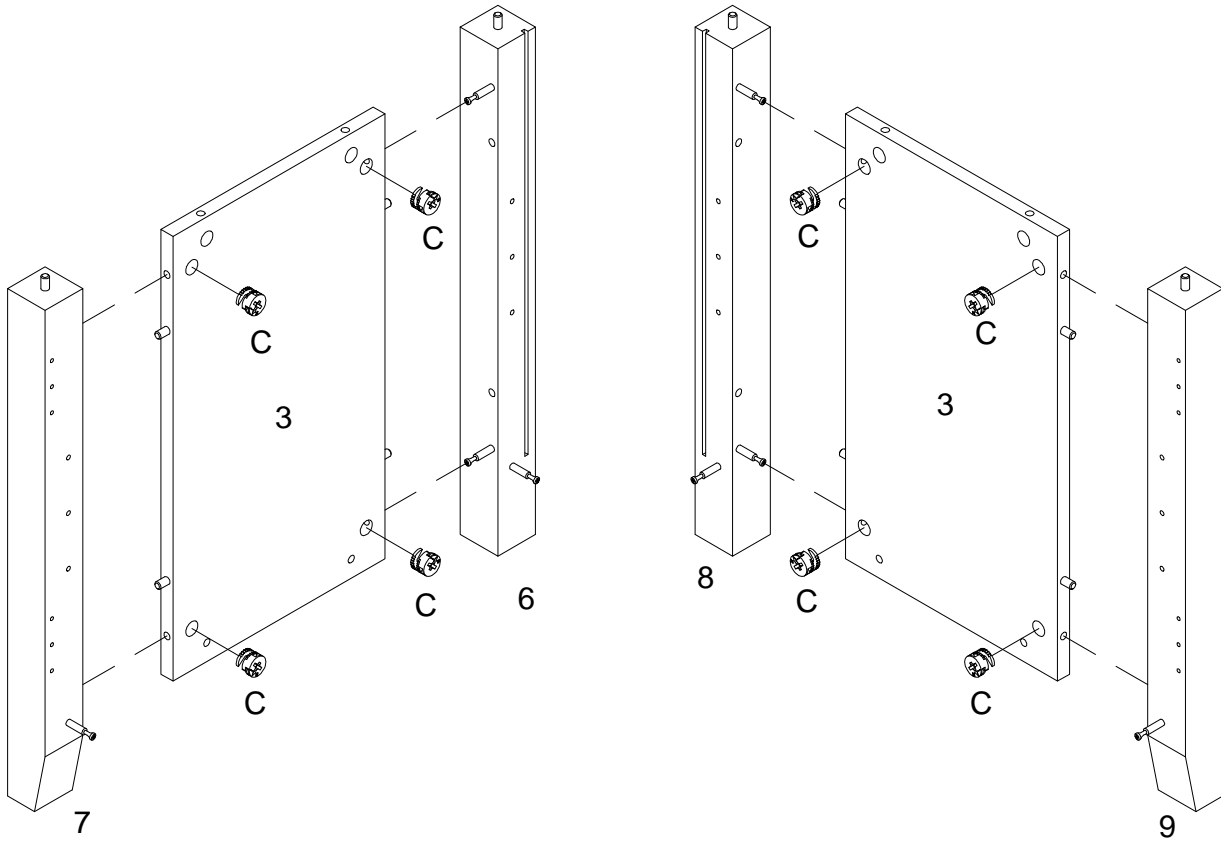
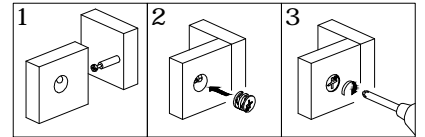
Insert wooden dowel (A) into part(6,7,8,9), and secure cam bolt (B) with screwdriver into part (6,7,8,9)

# Step 3



Insert wooden dowel (A) into parts(3,4,5)

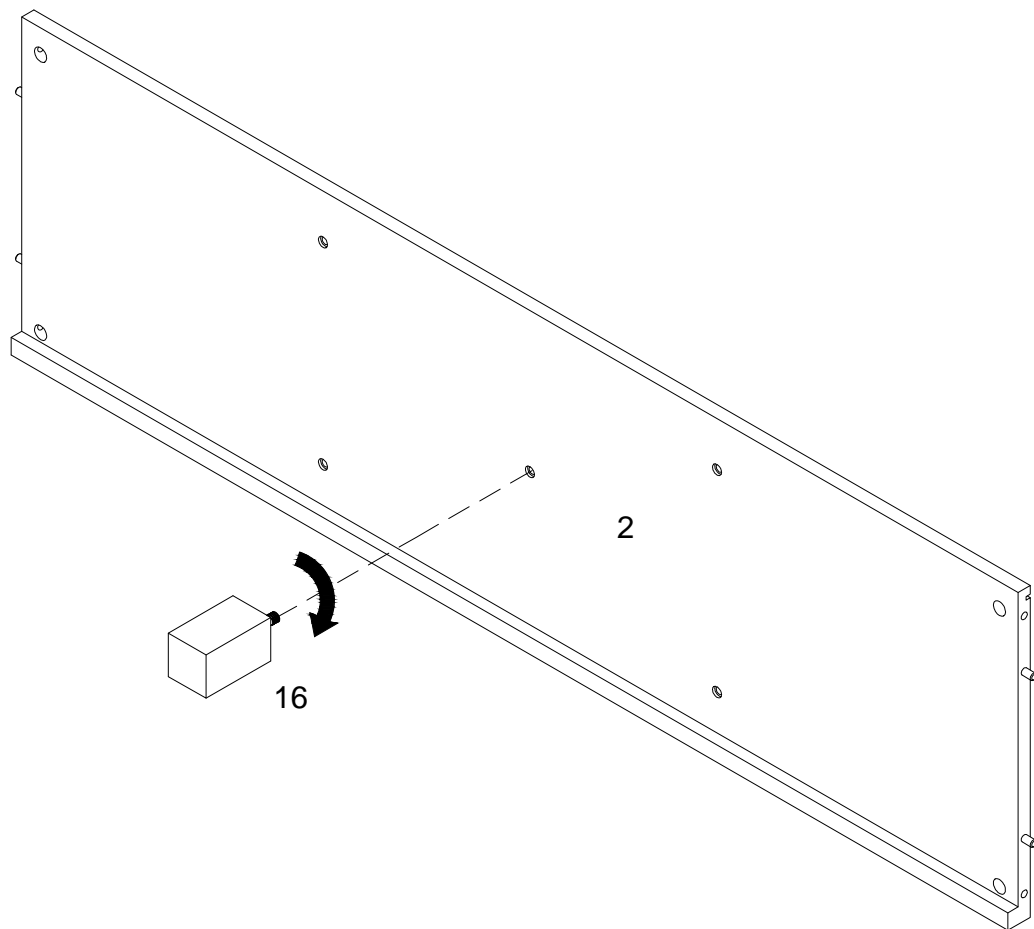
# Step 4



Secure cam bolt (C) into parts (3)two sides

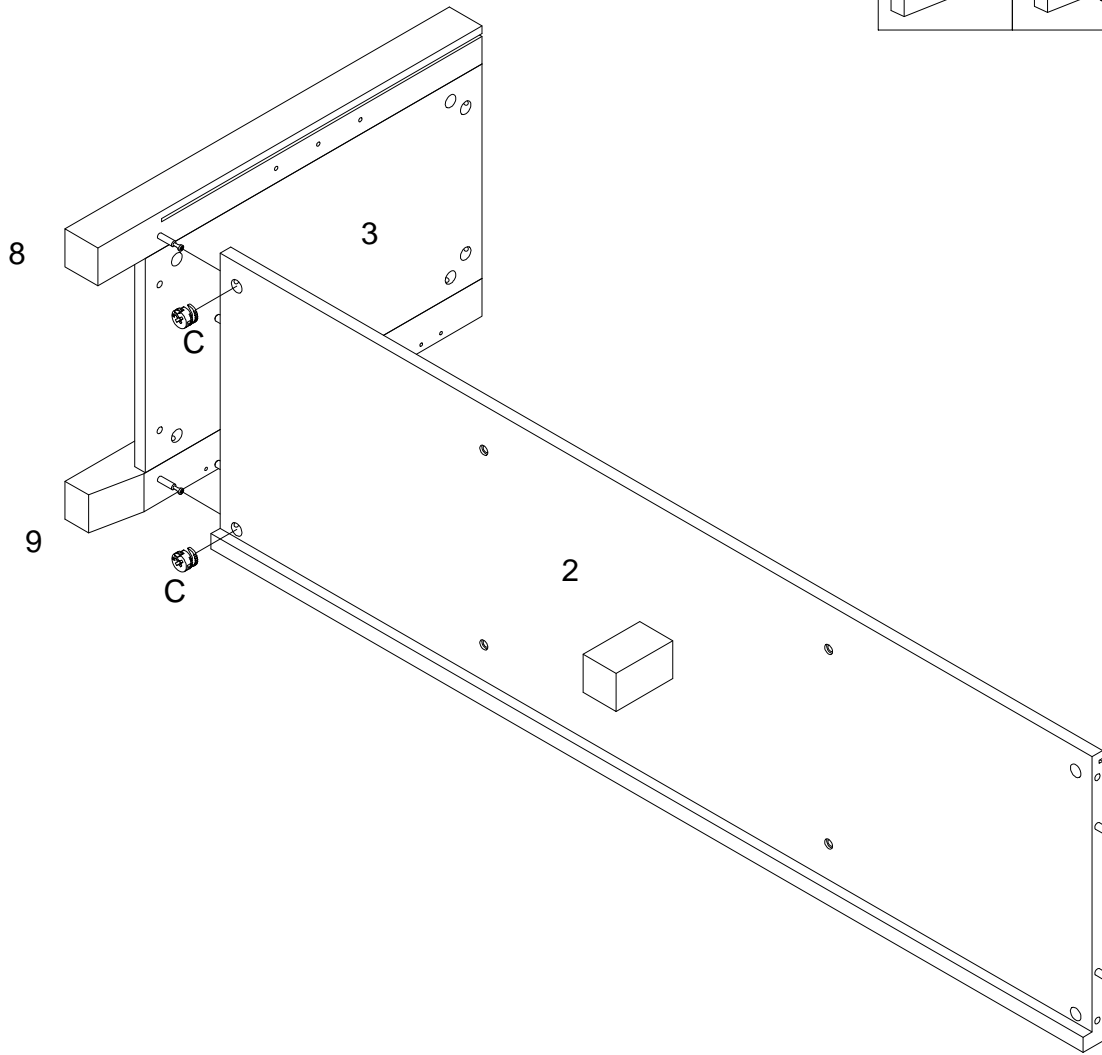
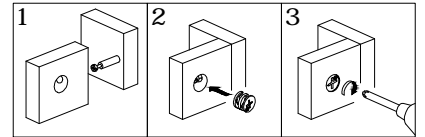


# Step 5



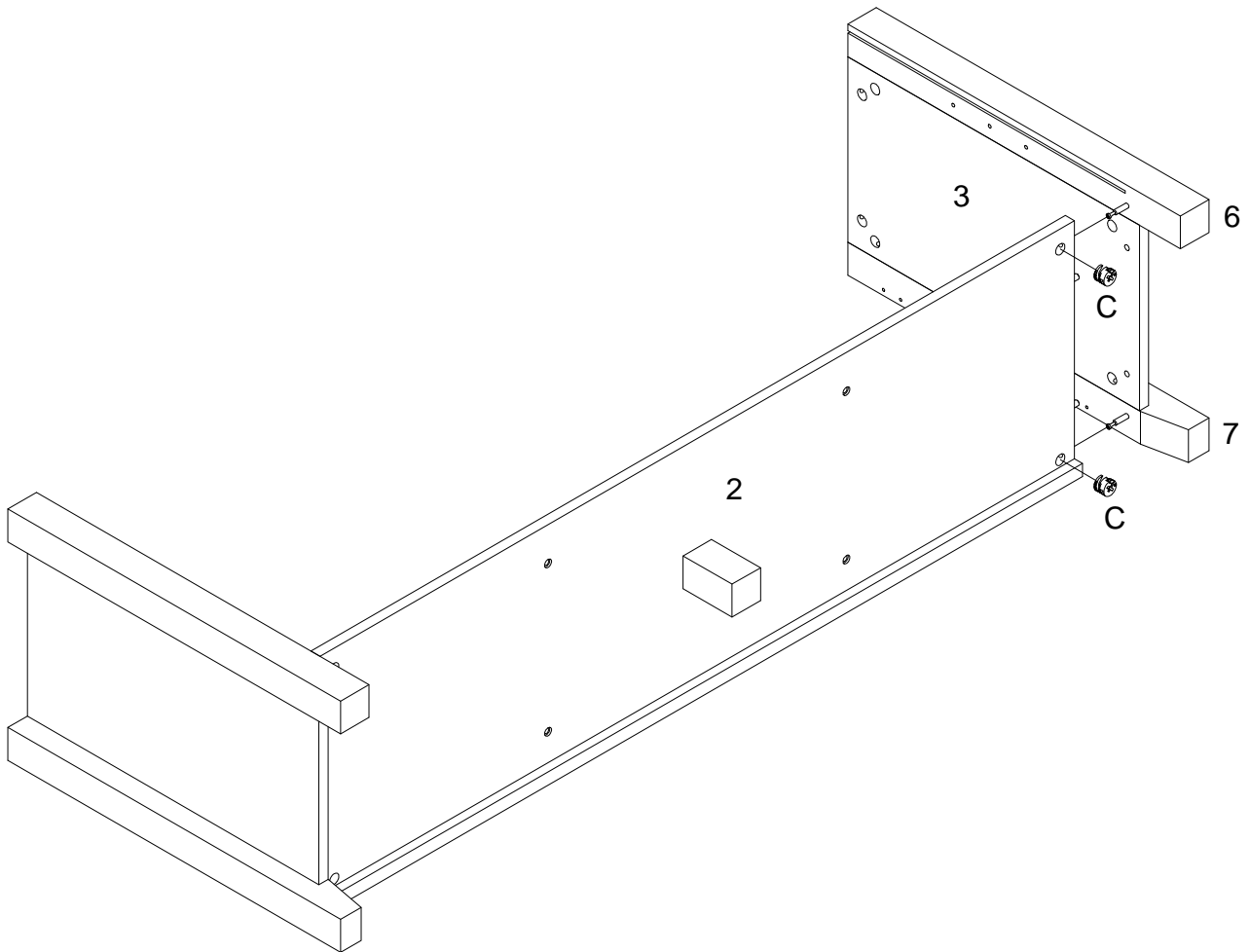
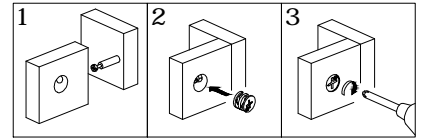
Rotate part (16) to part(2) clockwise

# Step 6



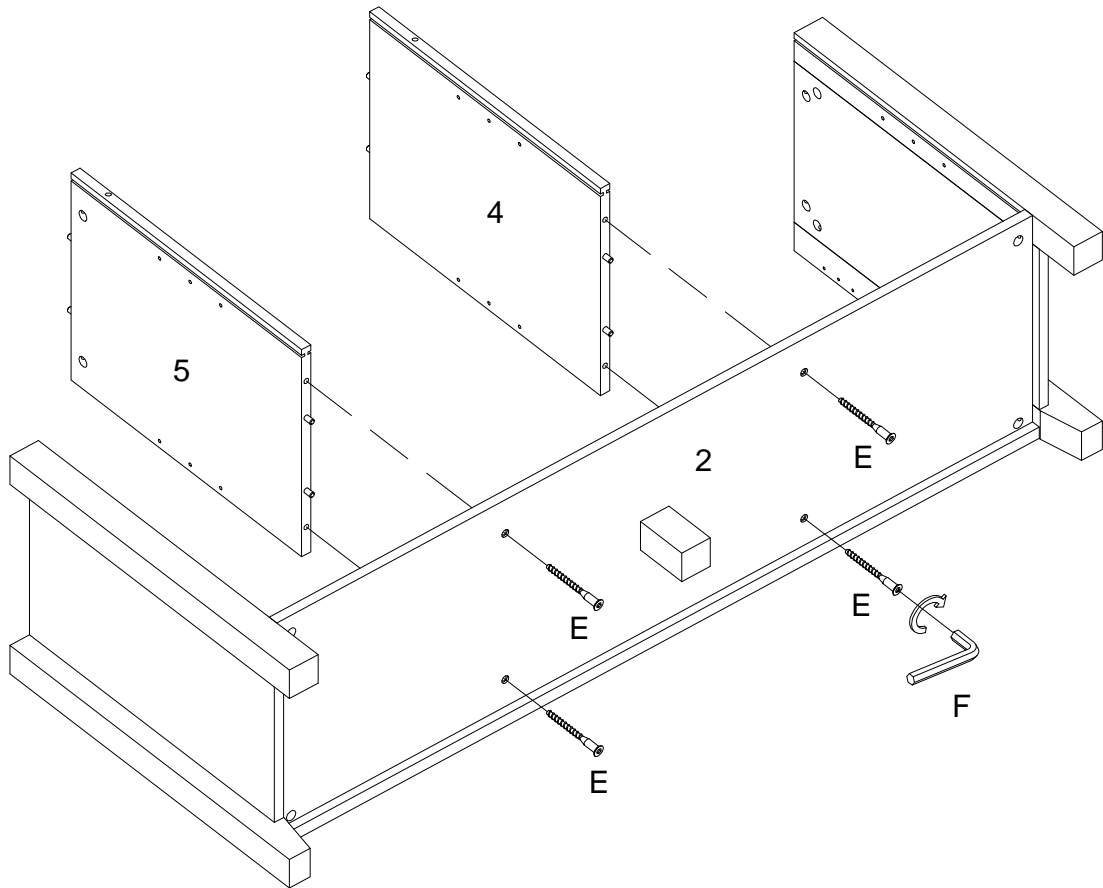
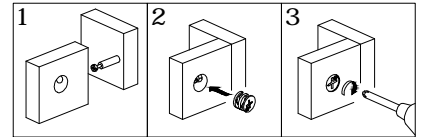
Attach part (2) to parts (8,9) using cam lock (C)

# Step 7



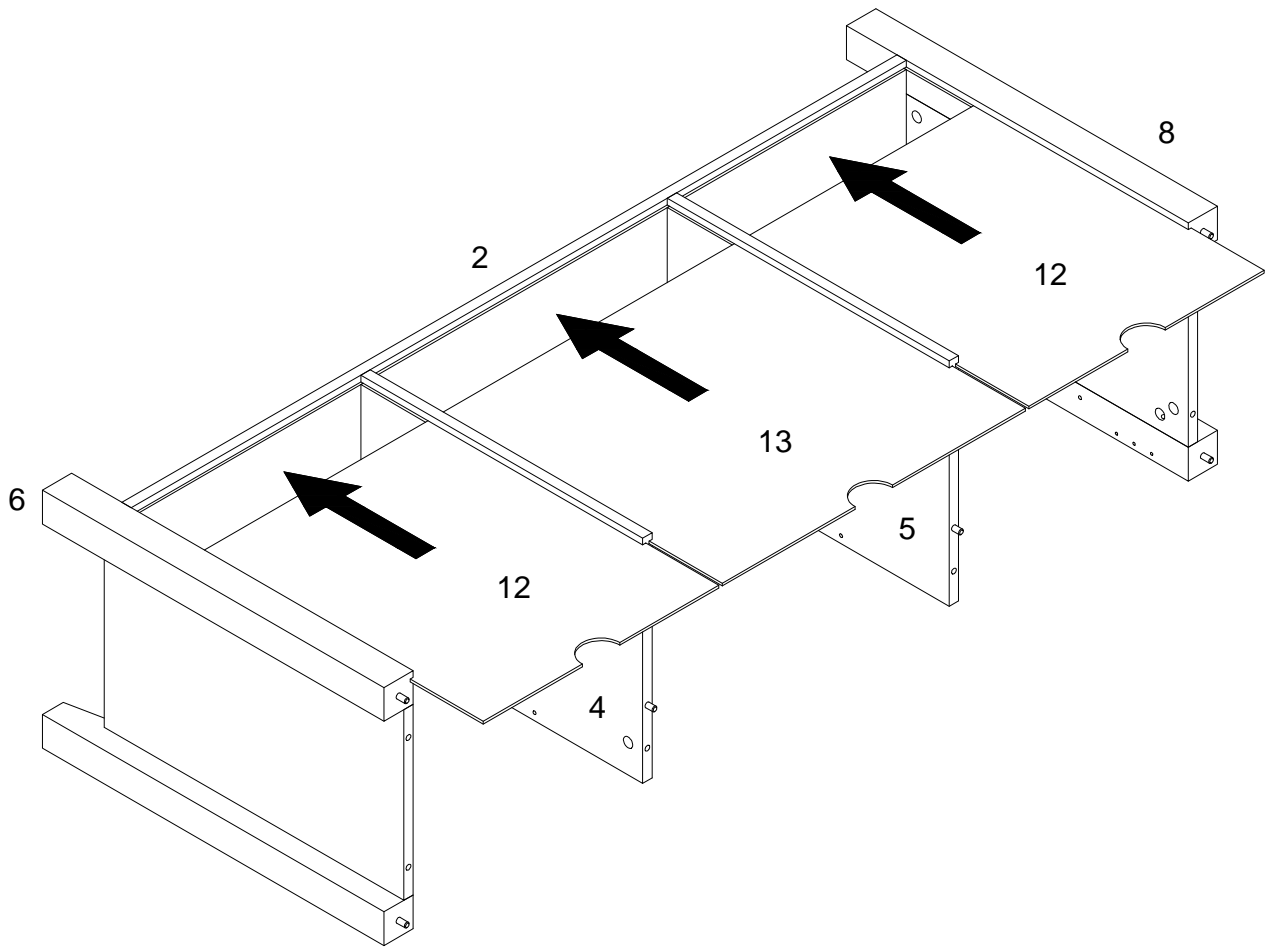
Secure Cam lock (C) into part (2) and attach to parts(6,7)

# Step 8



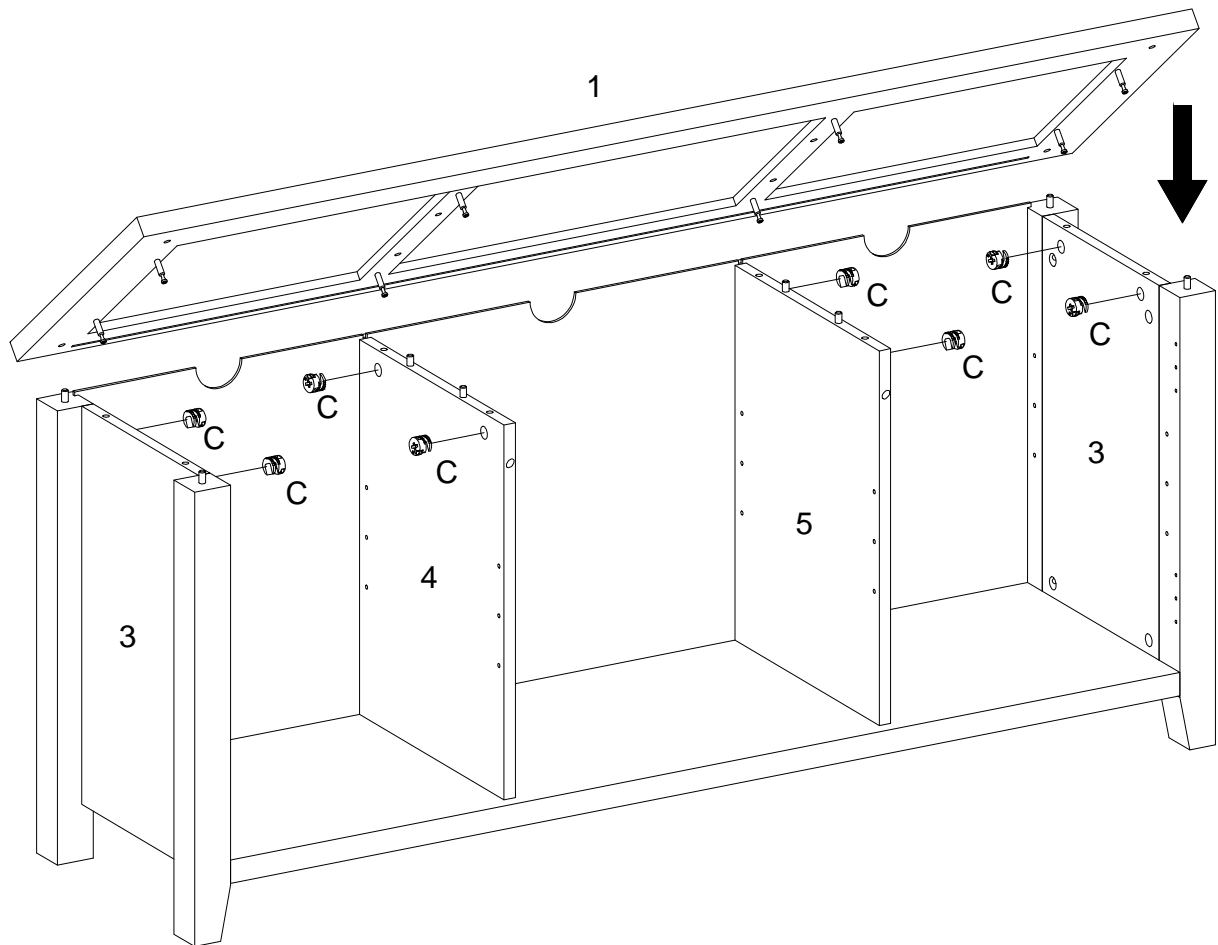
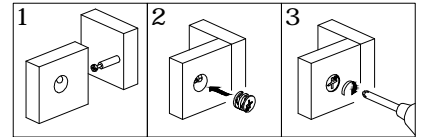
Attach parts(4,5) to part(2) by using bolt (E), Hex Key (F) to secure

# Step 9



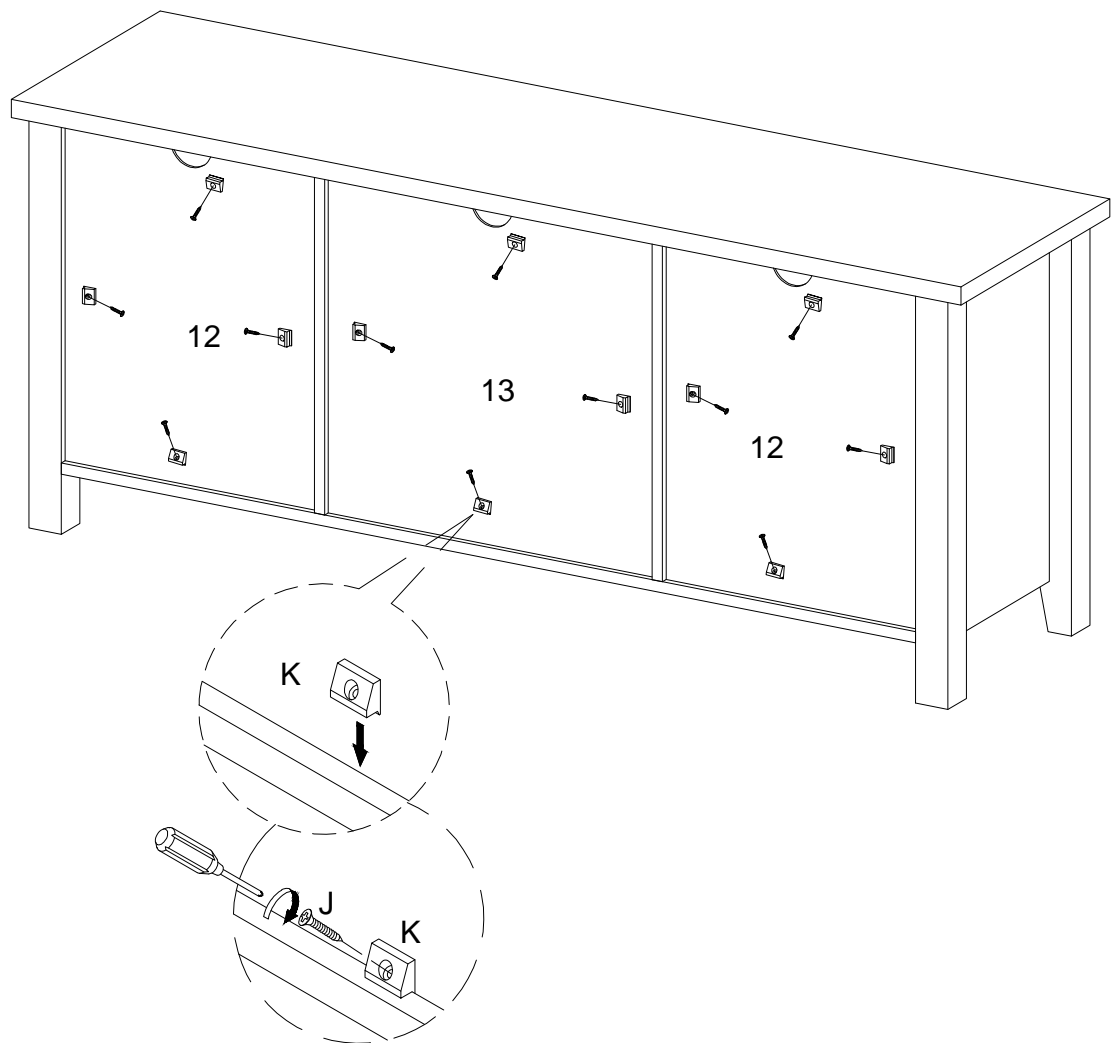
Insert part (12,13) to part (2)

# Step 10



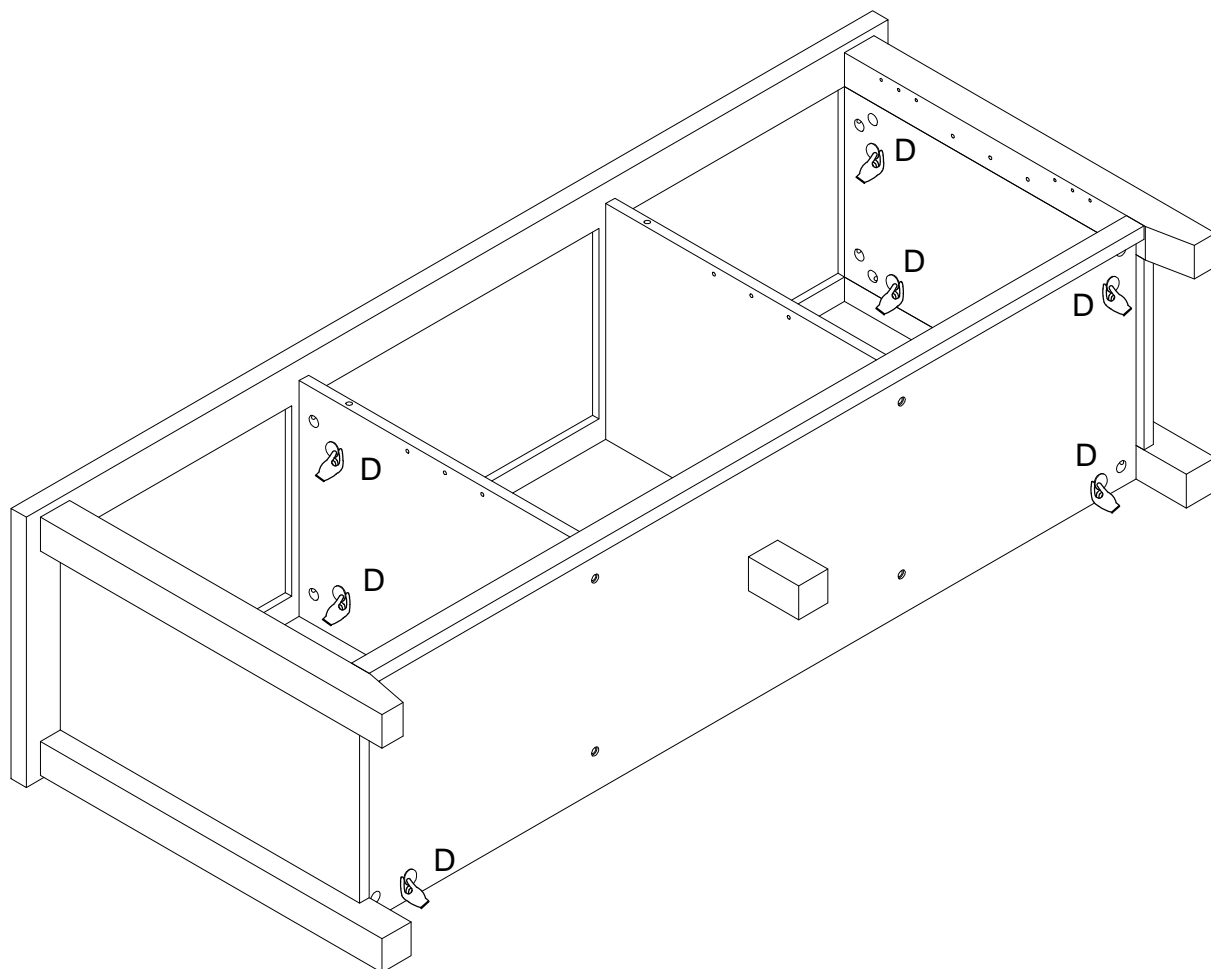
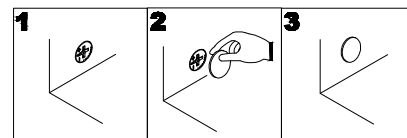
Insert part (1) into part (3,4,5) then insert and secure cam lock (C) to part (3,4,5) to lock it.

# Step 11



Secure plastic wedge (K) to back panel (12,13) using screw (J) with screwdriver.

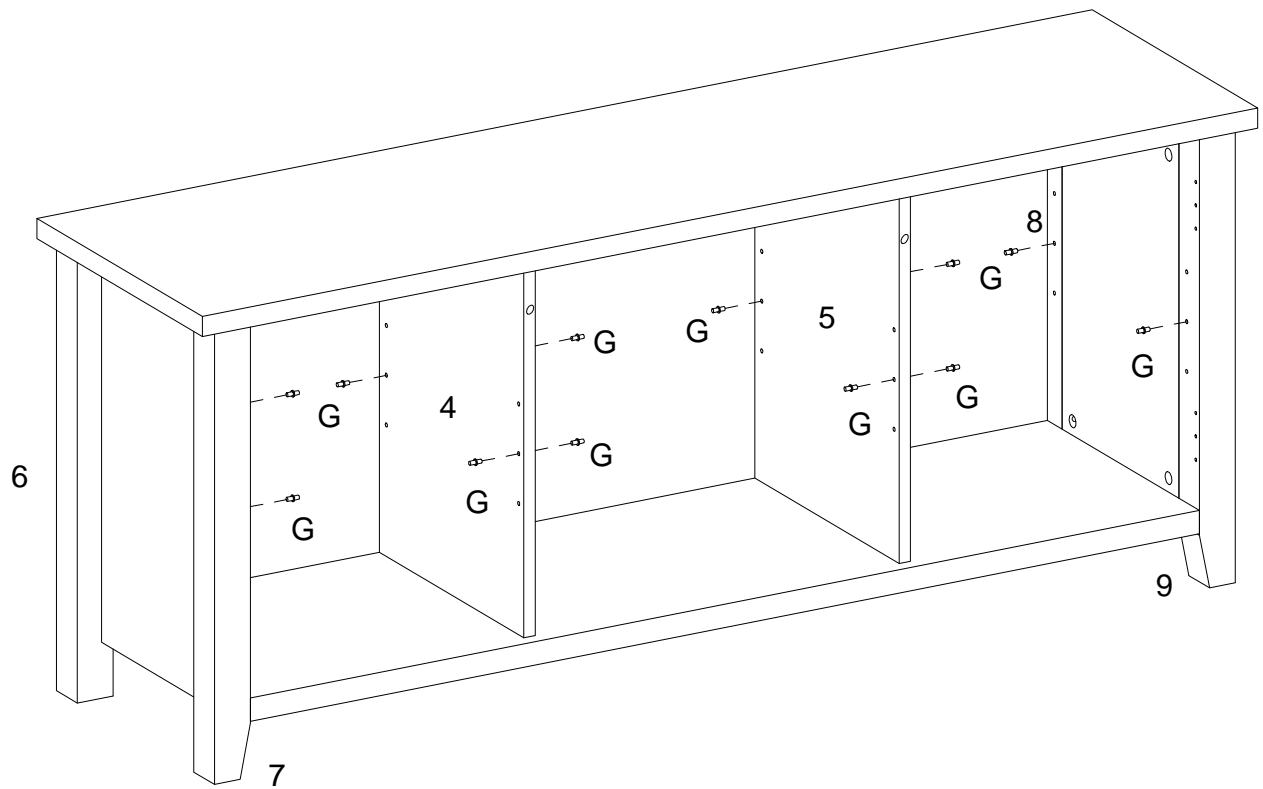
# Step 12



Place sticker (D) over holes as per diagram.

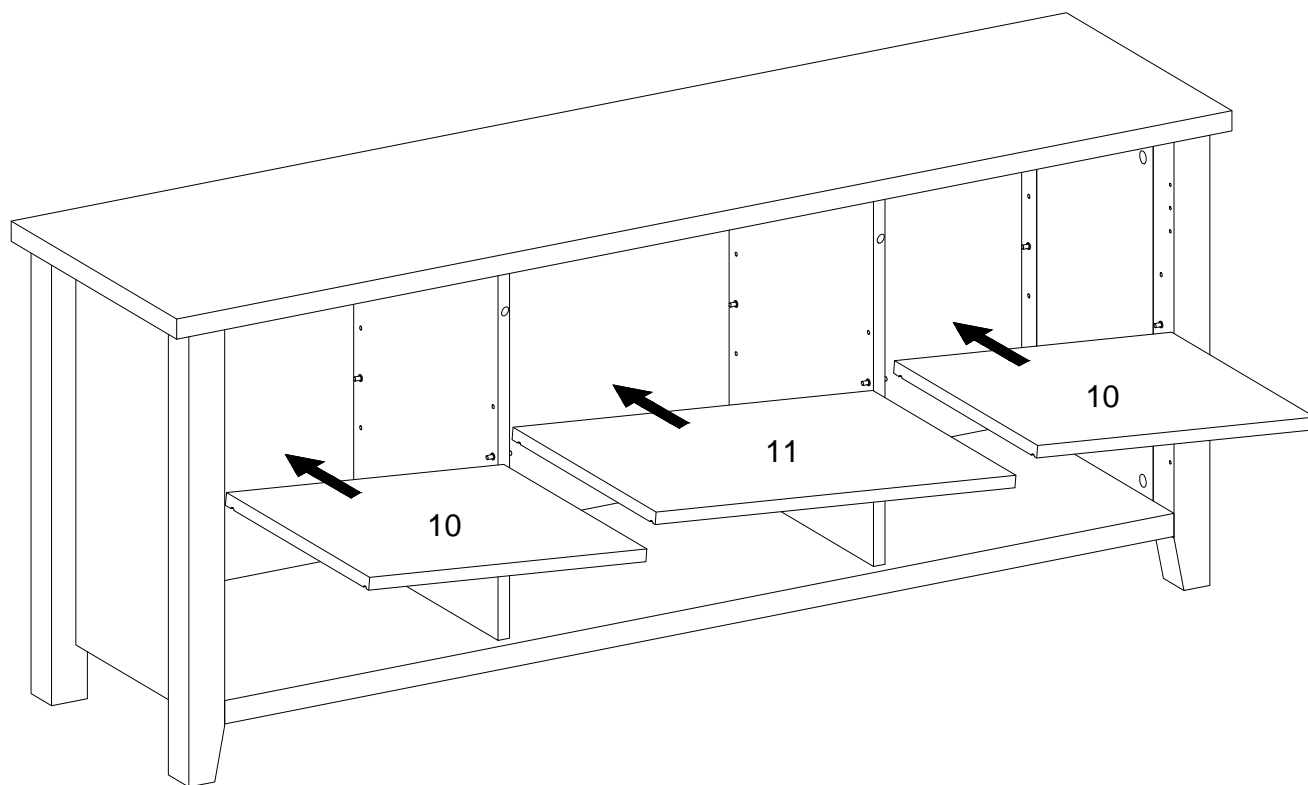


# Step 13



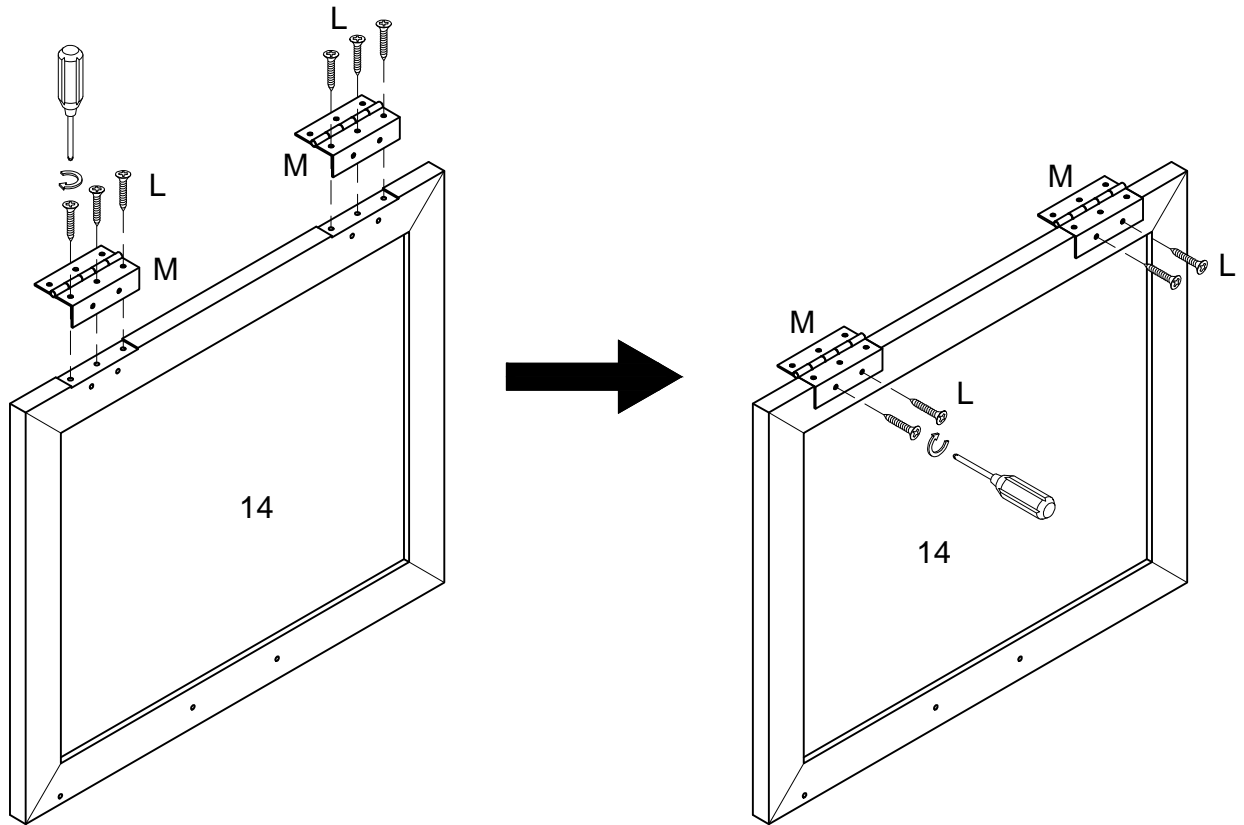
Insert shelf support pin (G) into part (6,4,5,8, 7, 9),

# Step 14



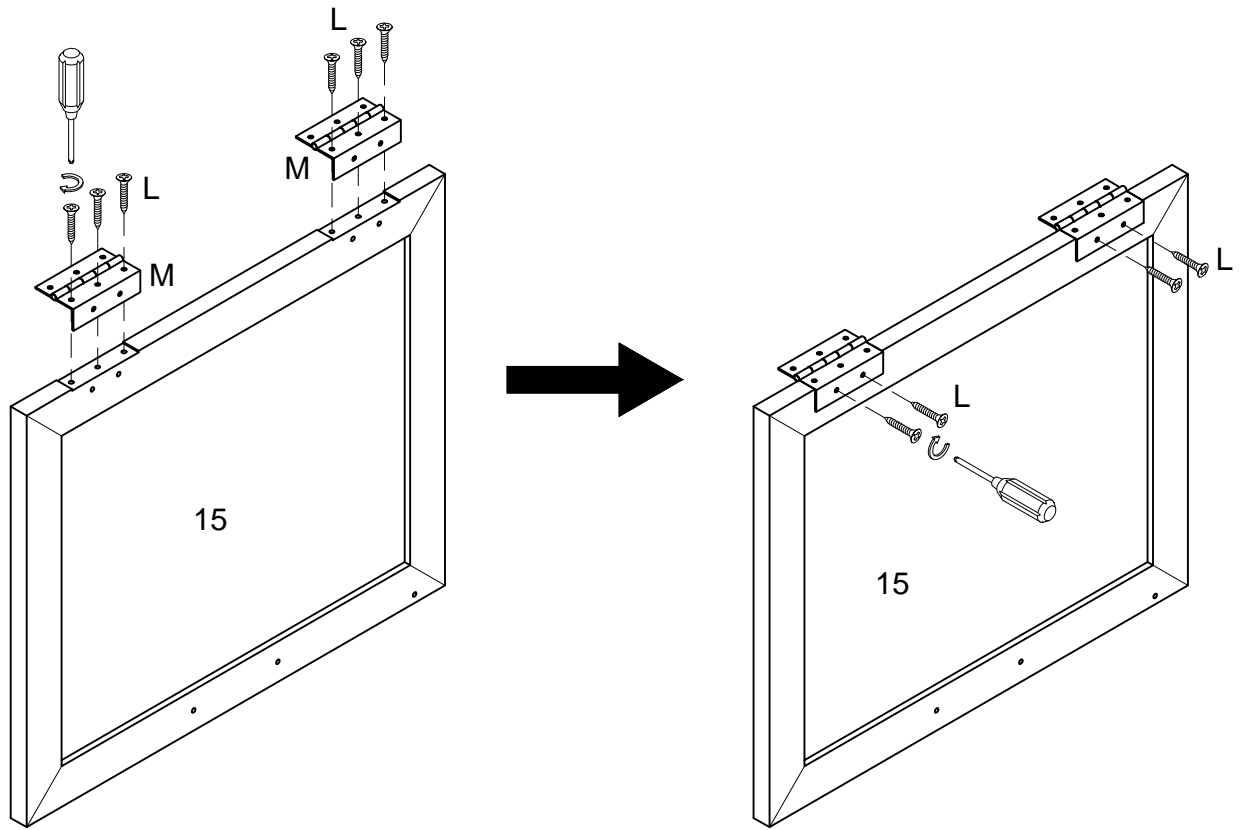
Place shelf (9,10) on top of support pin (G).

# Step 15



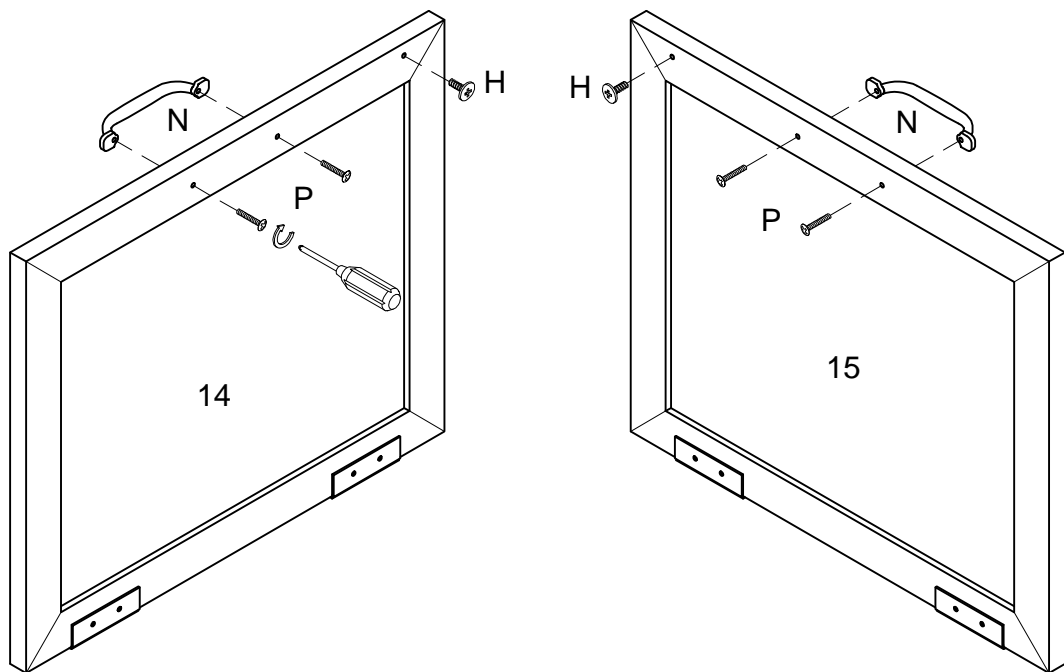
Slide door (14) onto door hinge (M) as shown in diagram and secure it with screw (L).

# Step 16



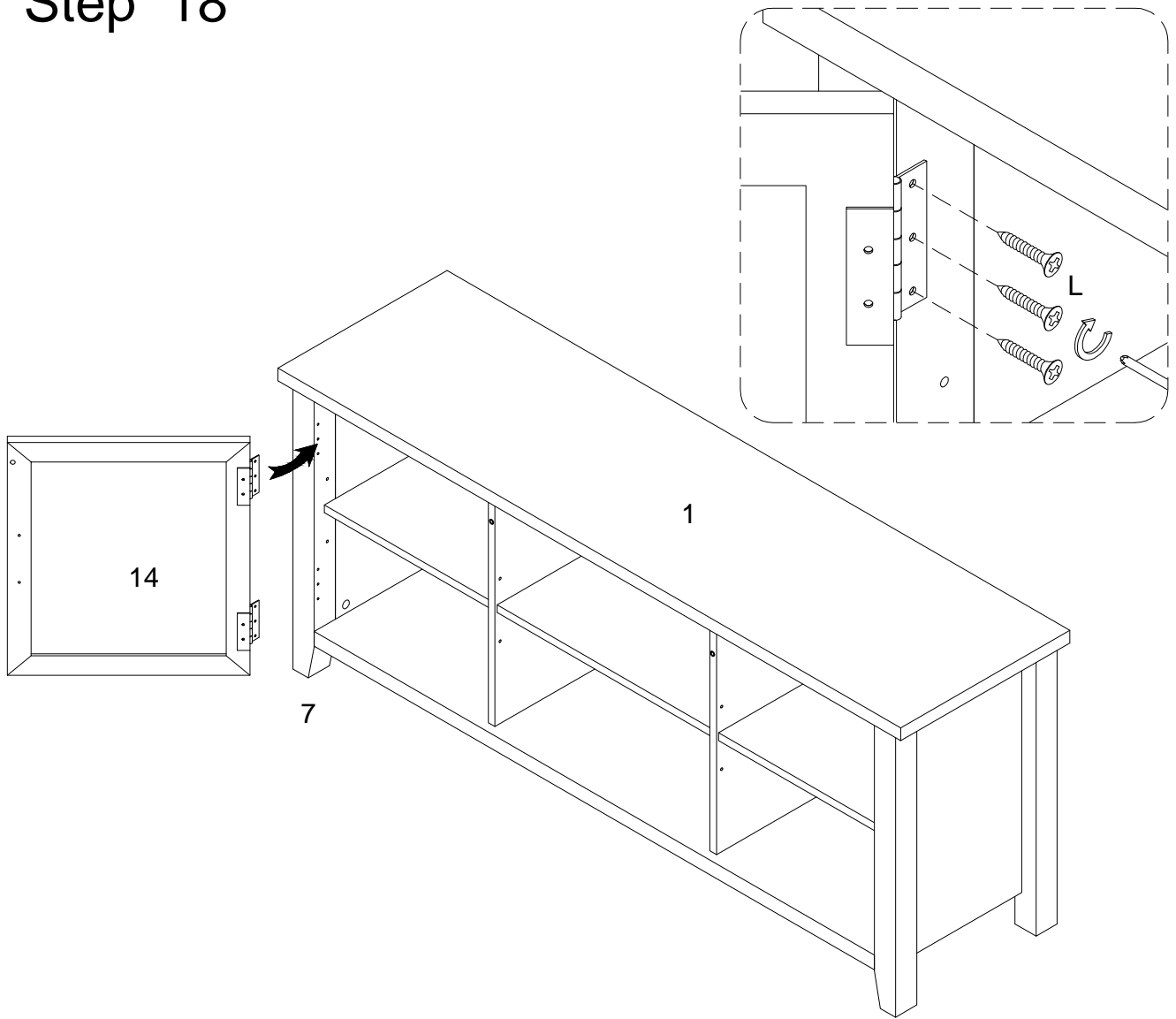
Slide door (15) onto door hinge (M) as shown in diagram and secure it with screw (L).

# Step 17



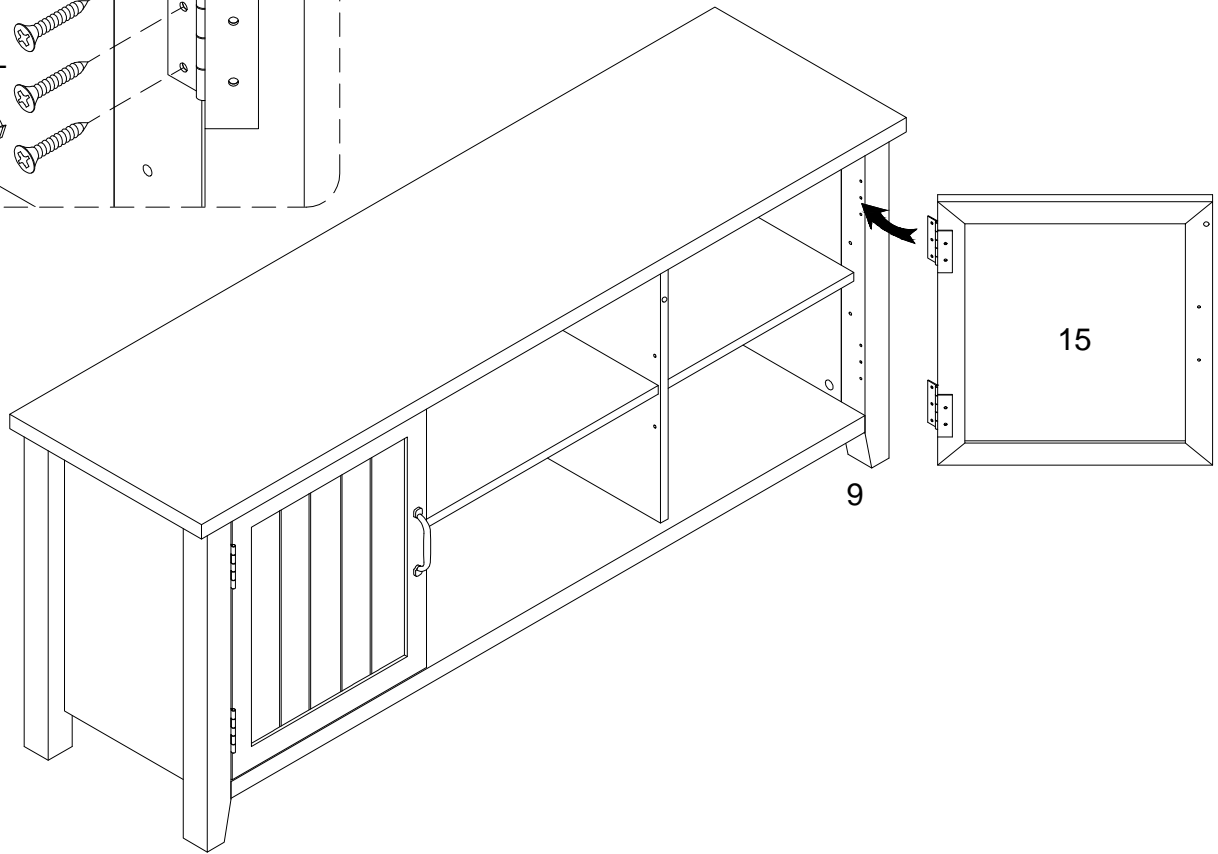
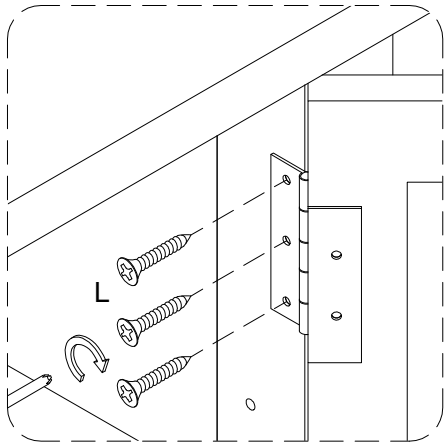
Attach handle (N) to part (14,15) using handle bolt (P) with screwdriver.

# Step 18



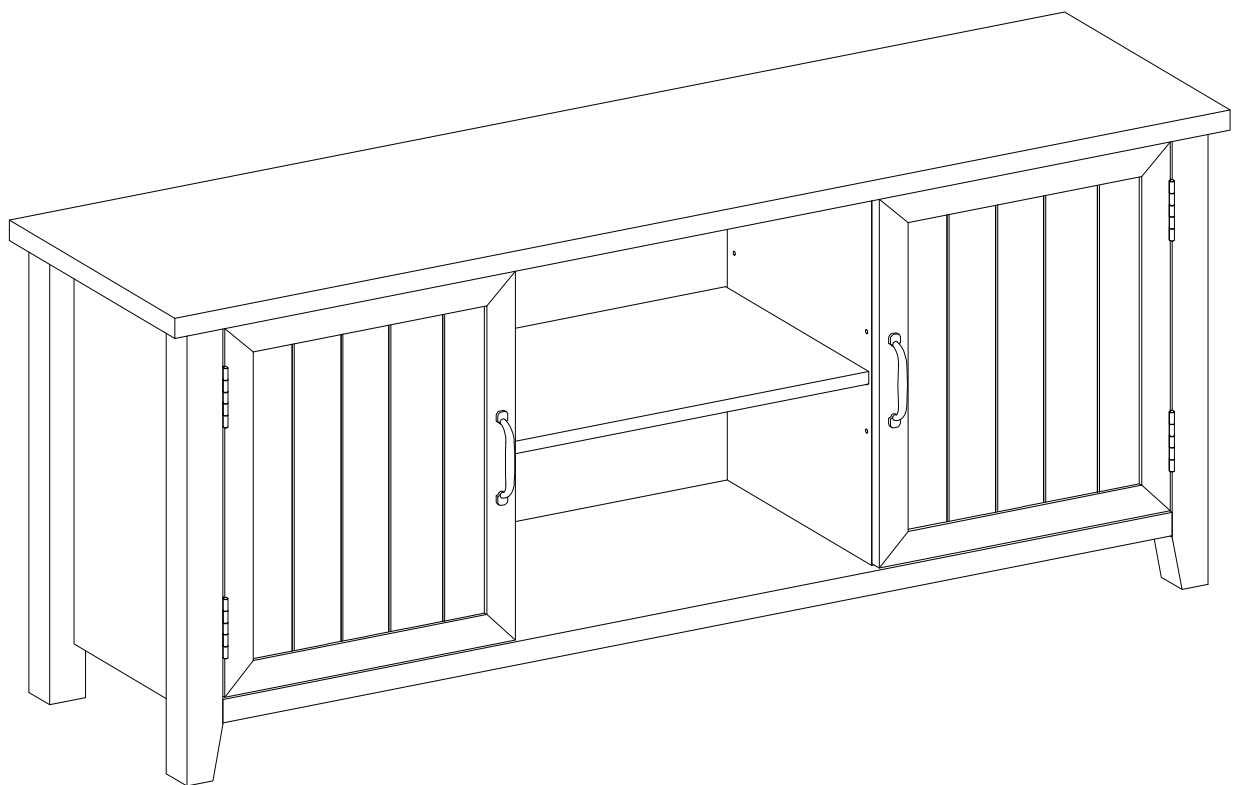
Attach Screw (L) to the door hinge (M) to secure the door(14)

# Step 19



Attach Screw (L) to the door hinge (M) to secure the door(15)

# Step 20



Final Assembly