



T&S BRASS AND BRONZE WORKS, INC.

2 Saddleback Cove / P.O. Box 1088
Travelers Rest, SC 29690



REG. #A2601
ISO #9001

Model No.

B-0870

Item No.

Travelers Rest, SC: 800-476-4103 • Simi Valley, CA: 800-423-0150 • Fax: 864-834-3518 • www.tsbrass.com

This Space for Architect/Engineer Approval

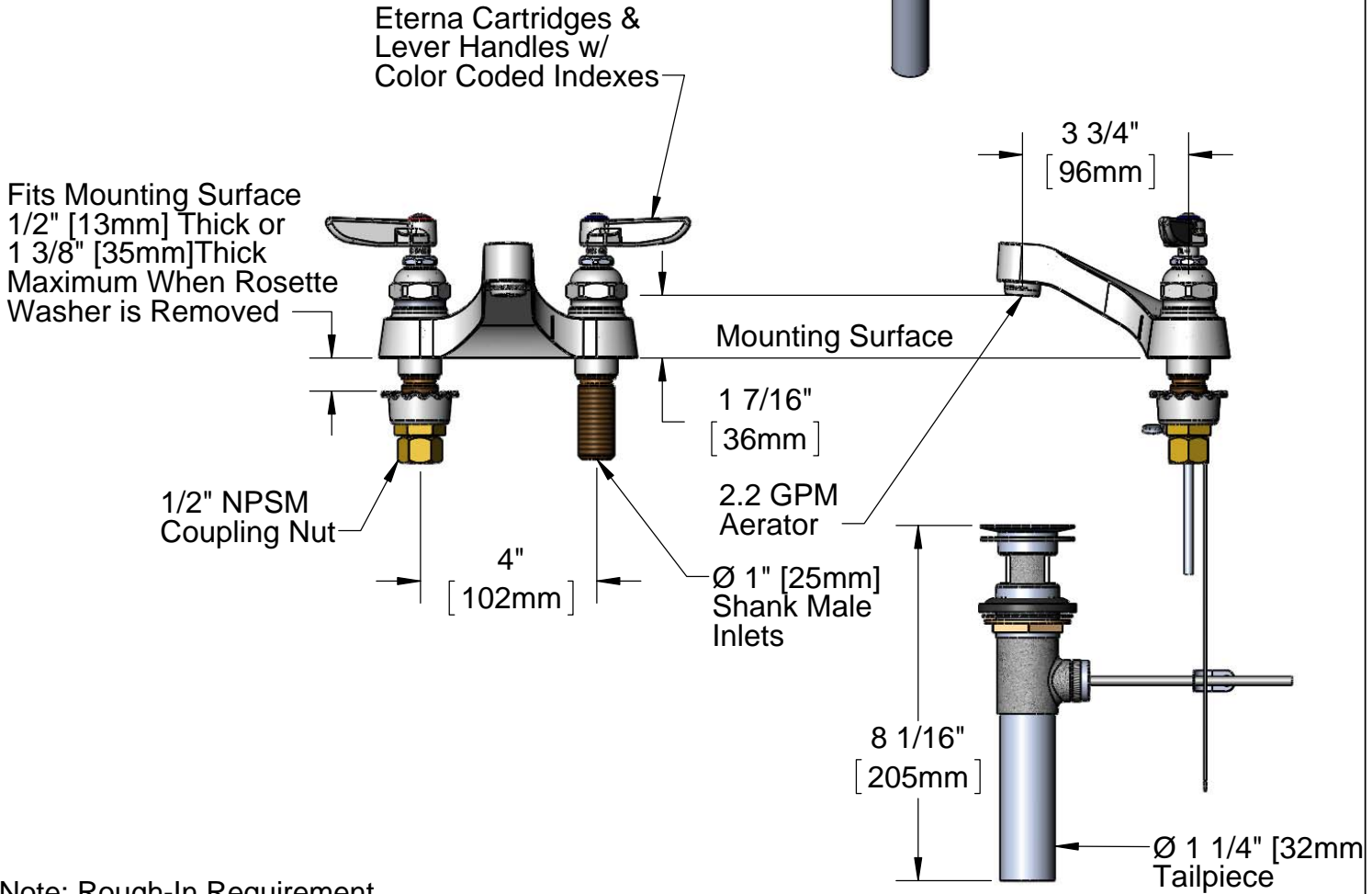
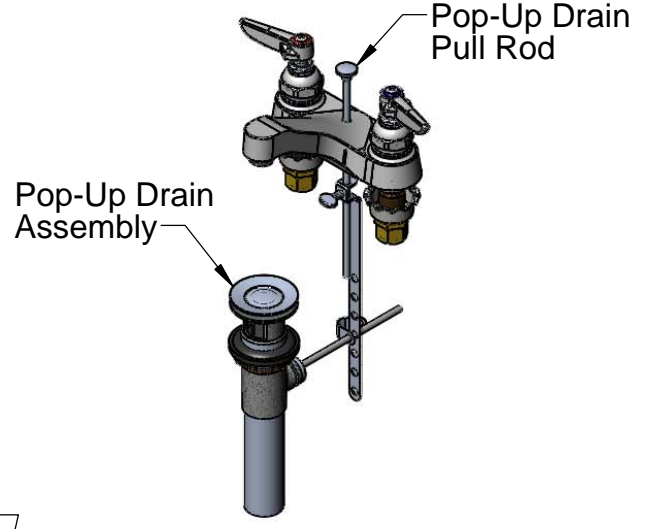
Job Name _____ Date _____

Model Specified _____ Quantity _____

Customer/Wholesaler _____

Contractor _____

Architect/Engineer _____



Note: Rough-In Requirement
(2) Ø 1 1/4" [32mm] Mounting Holes

Product Specifications:
4" Center Mixing Faucet w/ Eterna Cartridges & Pop Drain,
2.2 GPM Aerator Outlet, Lever Handles & 1/2" NPSM
Coupling Nuts w/ Male Shank Inlets

Drawn DHL	Checked KJG	Approved JHB
Scale: 1:4		Date: 07/29/11



T&S BRASS AND BRONZE WORKS, INC.

2 Saddleback Cove / P.O. Box 1088
Travelers Rest, SC 29690



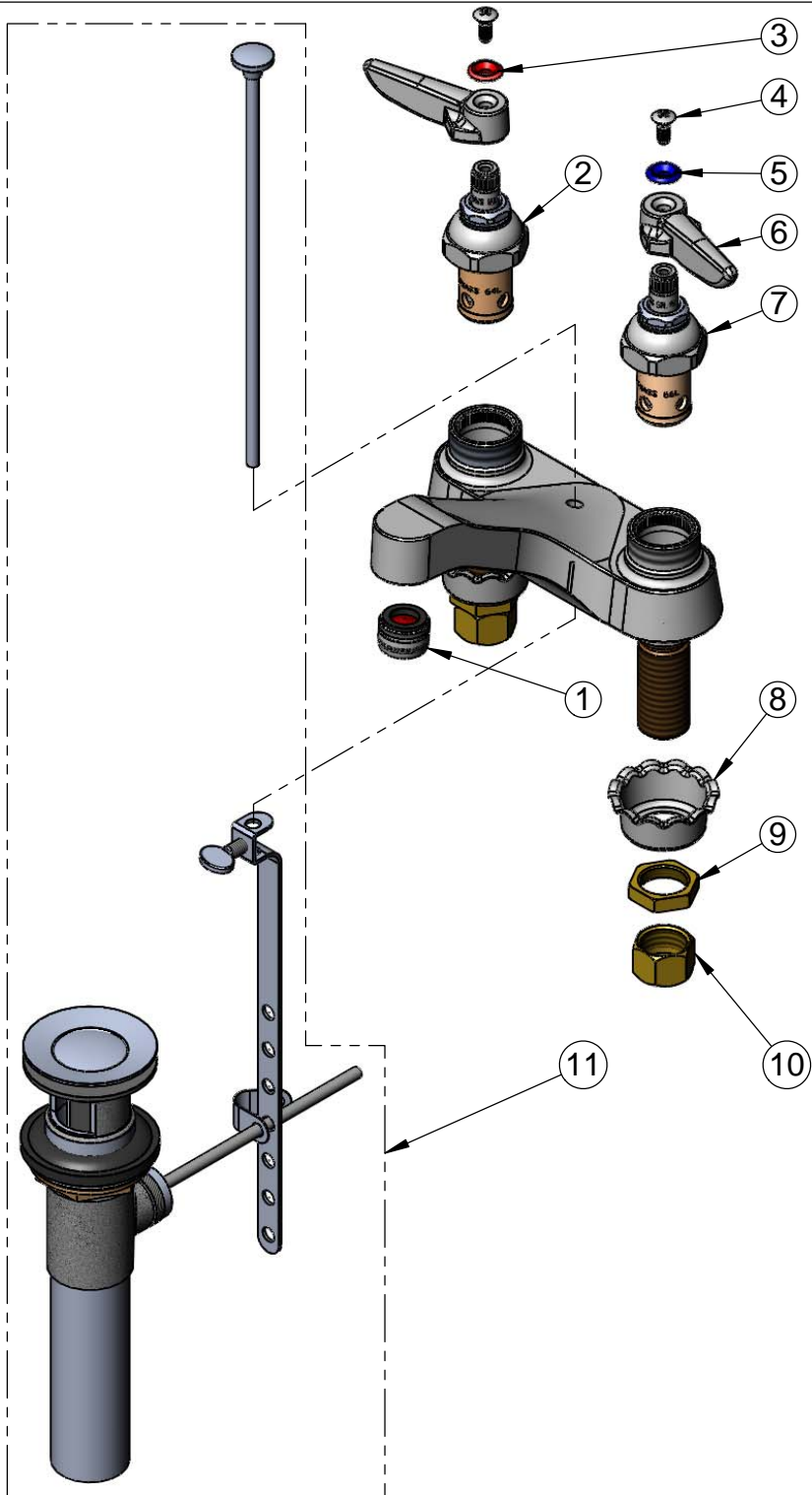
REG. #A2601
ISO #9001

Model No.

B-0870

Item No.

Travelers Rest, SC: 800-476-4103 • Simi Valley, CA: 800-423-0150 • Fax: 864-834-3518 • www.tsbrass.com



ITEM NO.	SALES NO.	DESCRIPTION
1	B-0199-03	2.2 GPM Aerator
2	005960-40	Eterna Cartridge, RTC
3	001661-45	Red Index-HW
4	000922-45	Lever Handle Screw
5	001660-45	Blue Index-CW
6	001638-45	Lever Handle
7	005959-40	Eterna Cartridge, LTC
8	001000-45	Rosette Washer
9	002954-45	Shank Lock Nut
10	000958-20	Coupling Nut
11	B-0898	Sink Drain w/ Pop-Up

Product Specifications:

4" Center Mixing Faucet w/ Eterna Cartridges & Pop Drain,
2.2 GPM Aerator Outlet, Lever Handles & 1/2" NPSM
Coupling Nuts w/ Male Shank Inlets

Drawn

DHL

Checked

KJG

Approved

JHB

Scale:

NTS

Date:

07/29/11