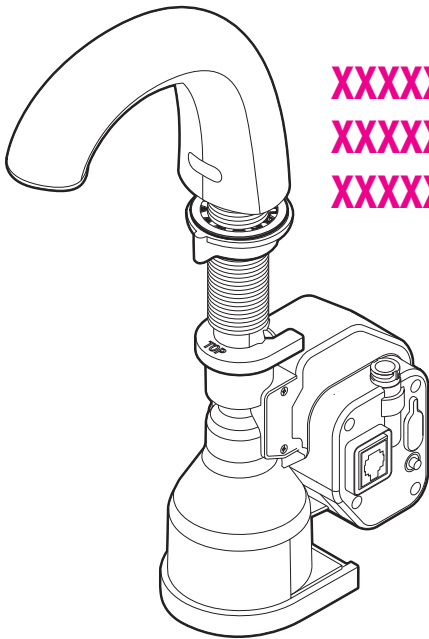


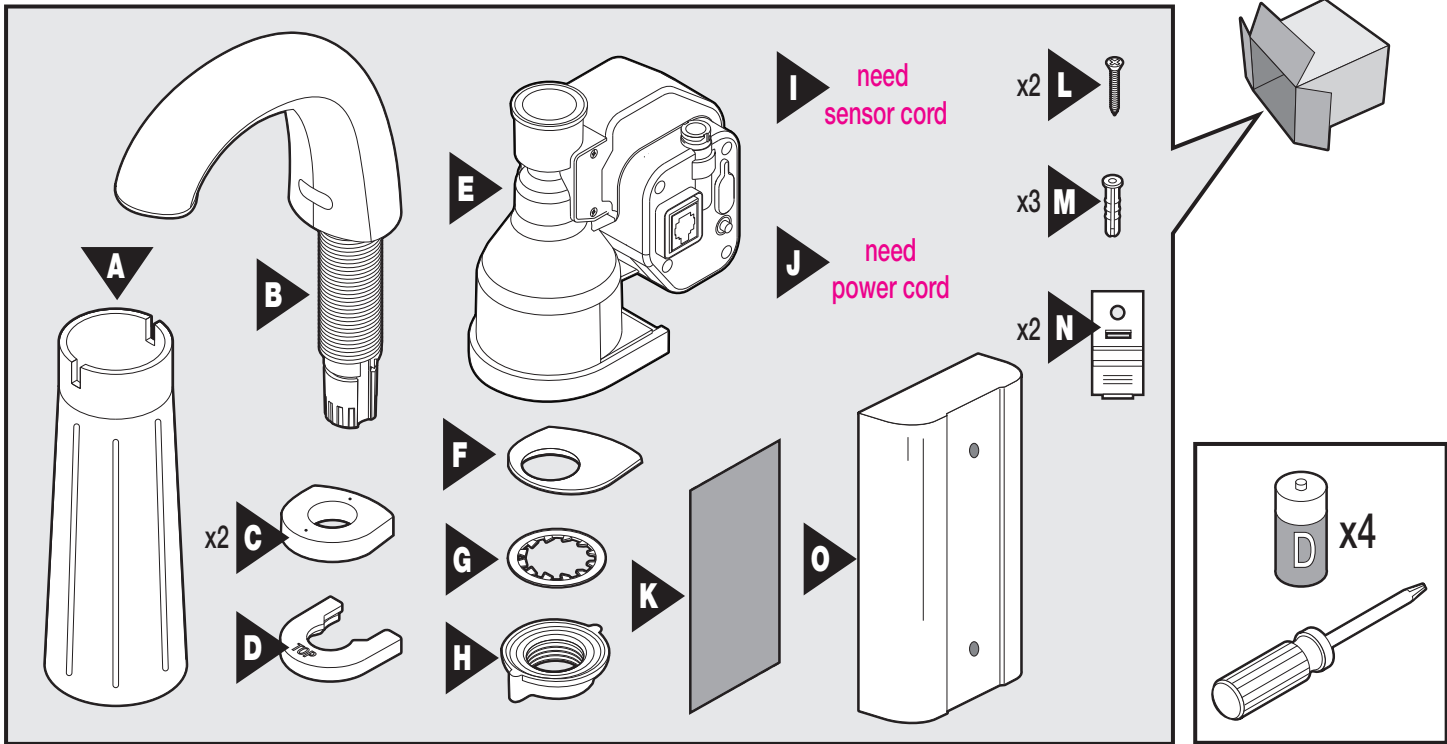


OneShot Liquid  
OneShot Liquid  
OneShot Liquid

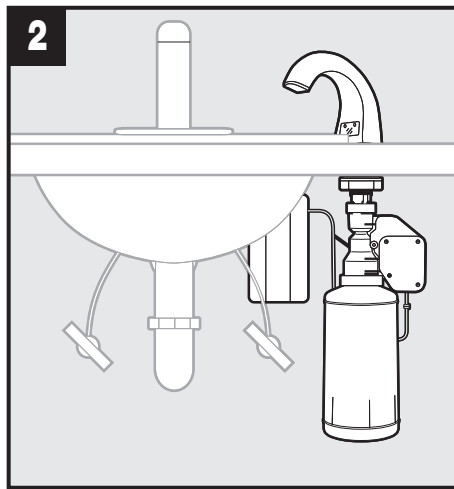
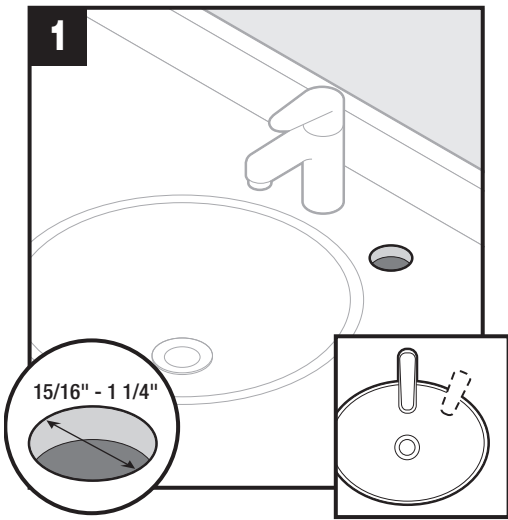


XXXXXXXXXX  
XXXXXXXXXX  
XXXXXXXXXX

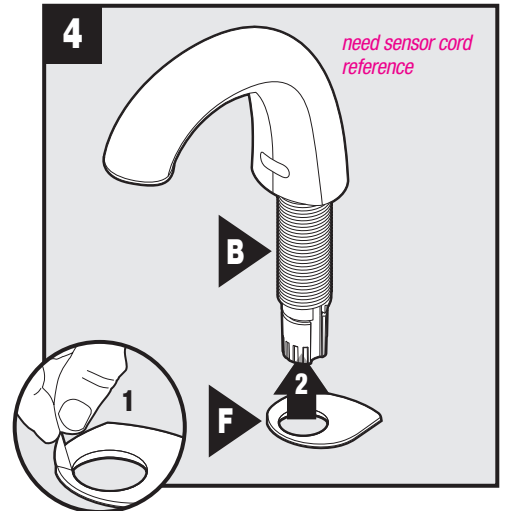
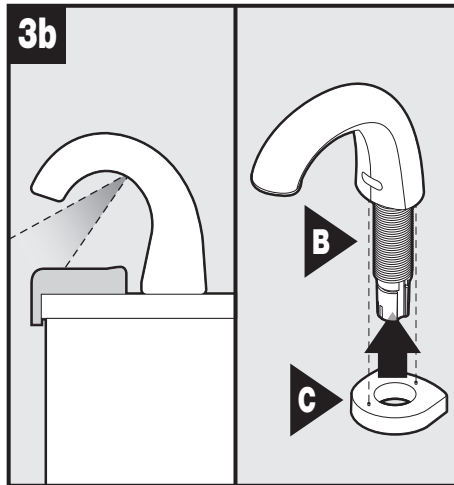
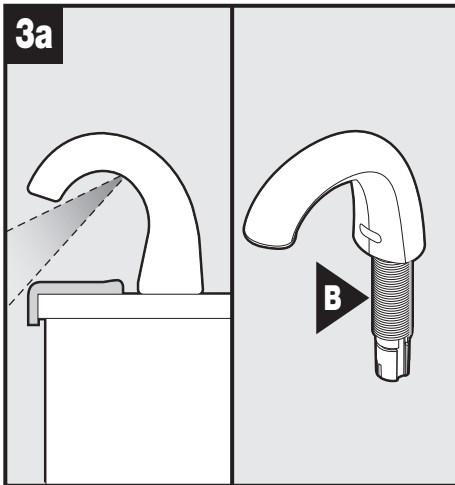
need battery pack and both cords  
CAD



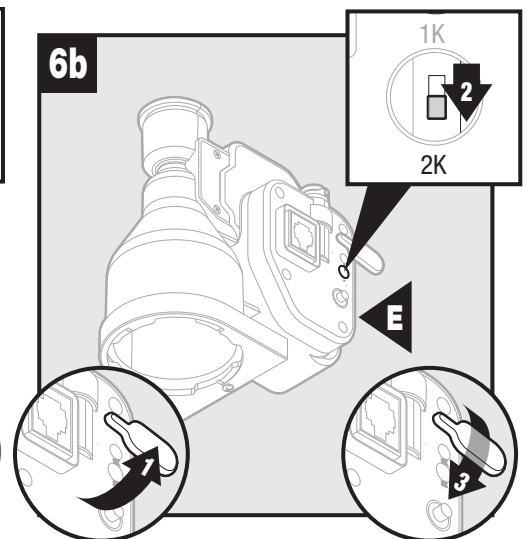
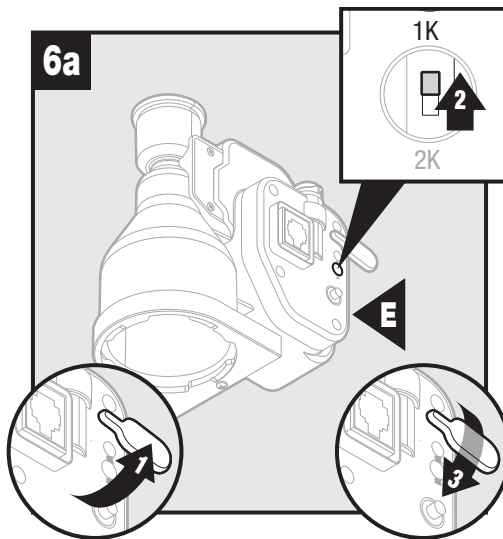
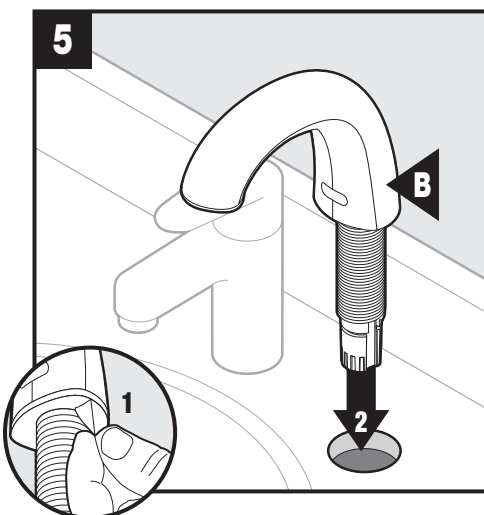
**Preparation/Préparation/Preparación**



**Installation/Installation/Installation**



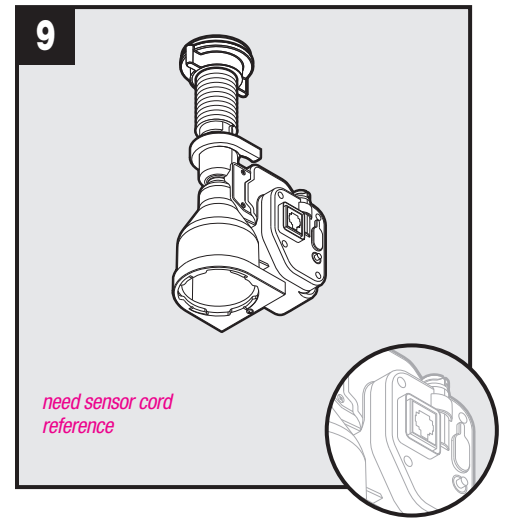
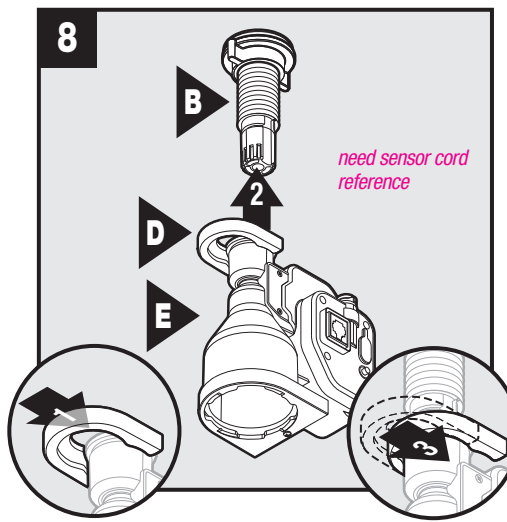
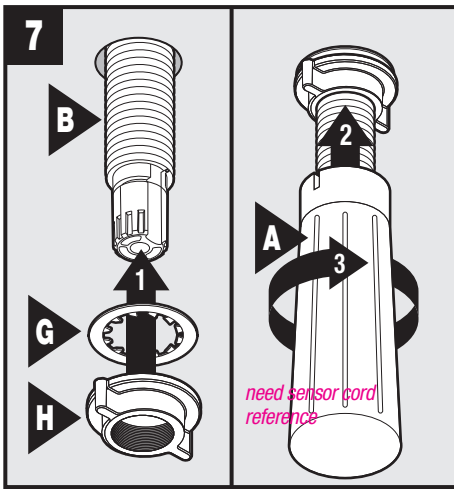
*Note: For thicker sinks./Note: For thicker sinks./Note: For thicker sinks.*



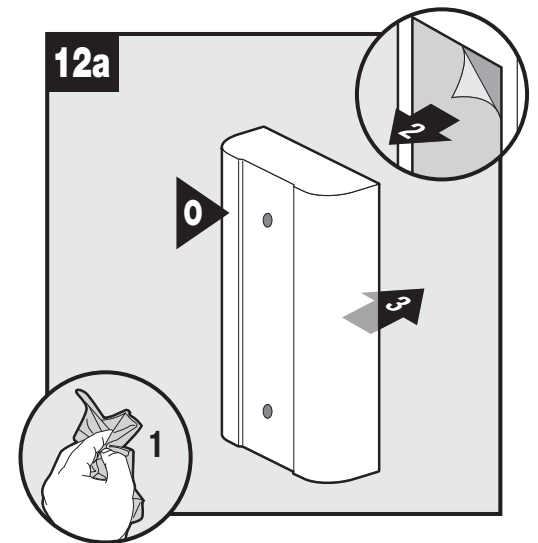
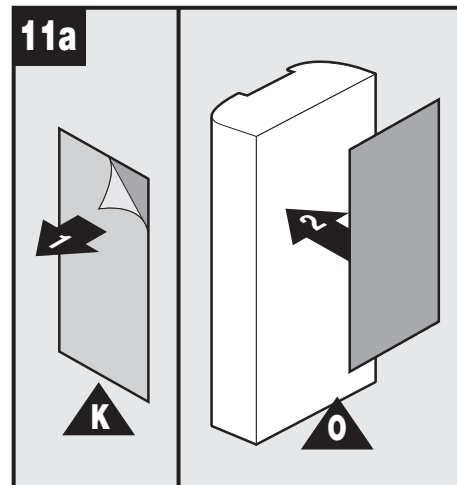
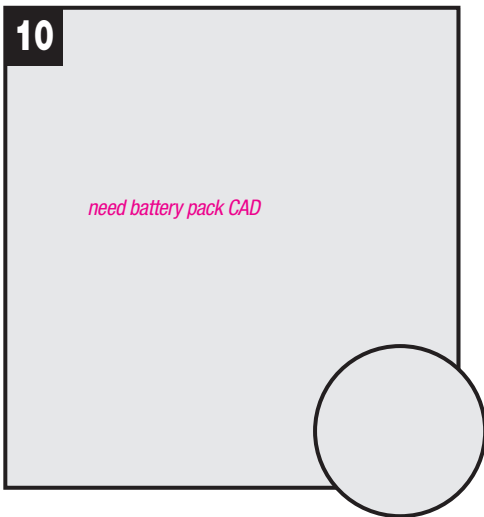
*Note: For 800 ml refill./Note: For 800 ml refill./Note: For 800 ml refill.*

*Note: For 1600 ml refill./Note: For 1600 ml refill./Note: For 1600 ml refill.*

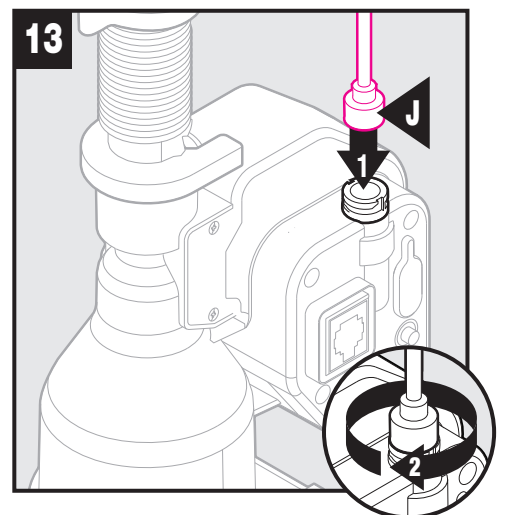
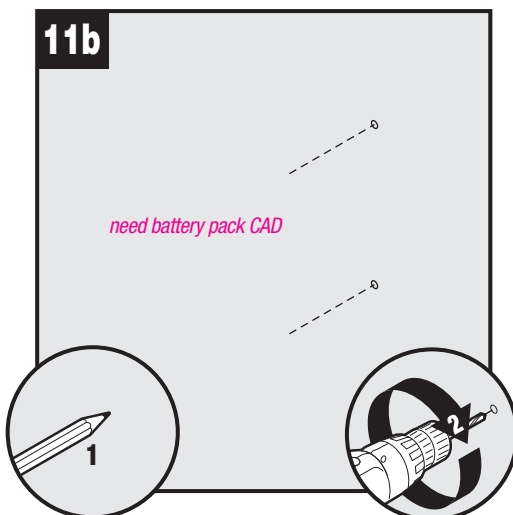
## Installation/Installation/Installation



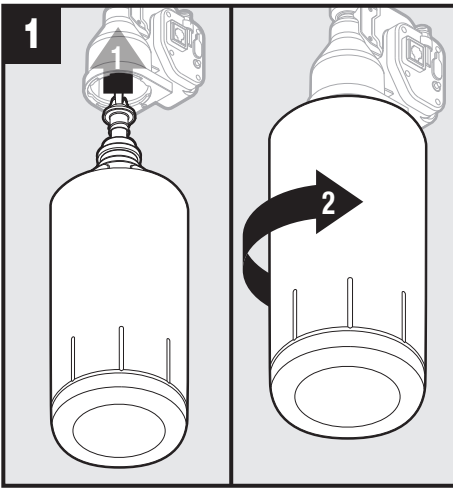
## Adhesive Mount/Cadre adhésif/Soporte adhesivo



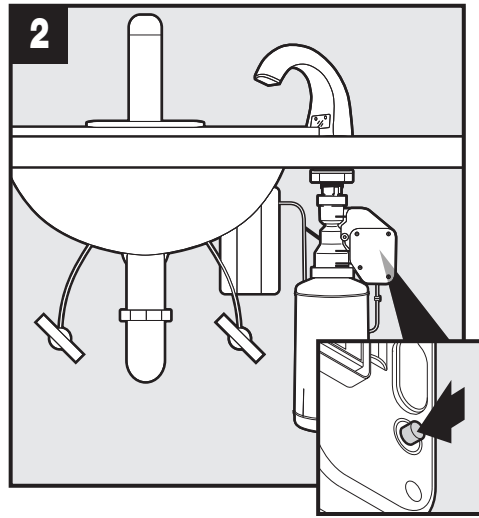
## Screw Mount/Cadre à visser/Soporte de tornillos



## Refill Installation/Installation de la cellule de remplacem/Instalación para recambio

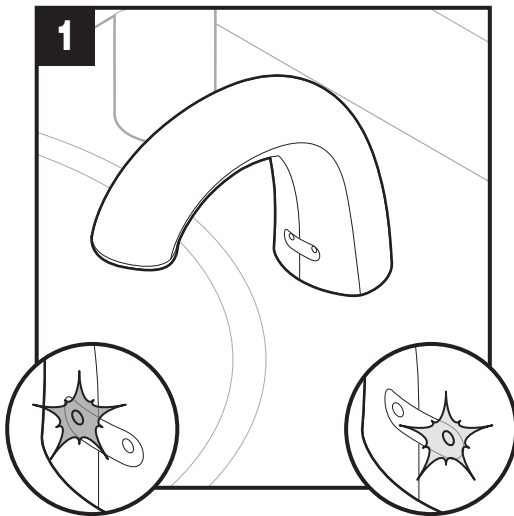


**Note:** Refill not included./**Nota:** Recarga no incluida./  
**Remarque:** Recharge non incluse.



**Important:** Press rest button to prime./ **Important:** Press rest button to prime./ **Important:** Press rest button to prime.

## Operation/Operation/Operation



■ Red: Refill Empty/Red: Refill Empty/Red: Refill Empty

■ Yellow: Low Battery/Yellow: Low Battery/Yellow: Low Battery

