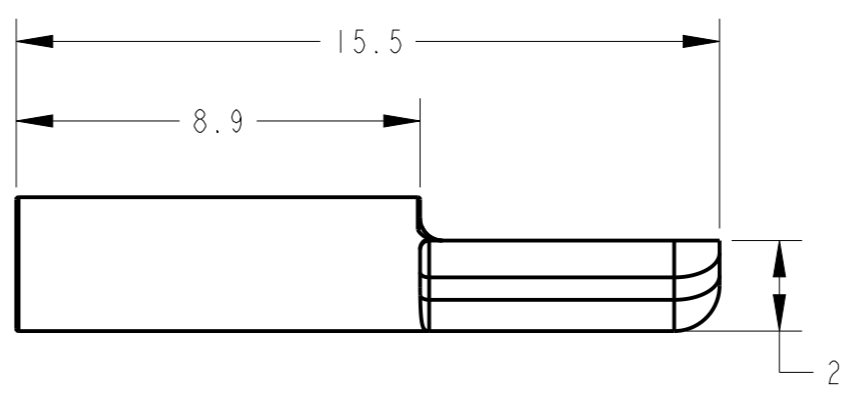
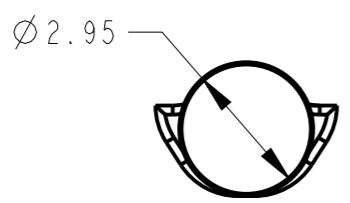
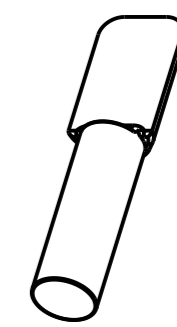
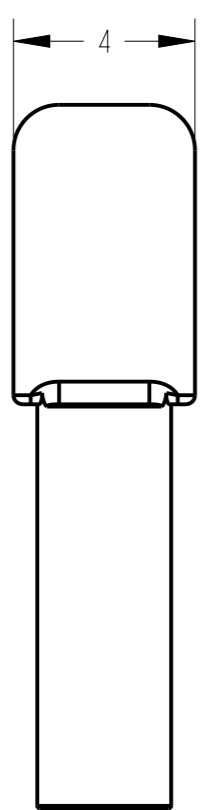


8 7 6 5 4 3 2 1

F
E
D
C
B
A

F
E
D
C
B
A



**hardware
resources**

HARDWARE RESOURCES RESERVES THE RIGHT TO CHANGE SPECIFICATIONS WITHOUT NOTICE. IN CASE OF A DISCREPANCY, ACTUAL PART GEOMETRY SUPERSEDES THIS DOCUMENT.

THE INFORMATION CONTAINED WITHIN THIS DRAWING IS THE SOLE PROPERTY OF HARDWARE RESOURCES INC. ANY REPRODUCTION IN PART OR WHOLE WITHOUT WRITTEN PERMISSION OF HARDWARE RESOURCES INC. IS PROHIBITED.

DOCUMENT STATUS **Released**
UNLESS OTHERWISE SPECIFIED DIMENSIONS ARE IN MILLIMETERS (MM)

MATERIAL STEEL FINISH BRIGHT NICKEL

THIRD ANGLE PROJECTION DATE 16JUN2022



DESCRIPTION
SHELF PIN, 3mm, SPOON

DRAWING NUMBER 1103BN REV **A**

SIZE A3 SCALE 6.000 SHEET 1 / 1

8 7 6 5 4 3 2 1