



# Model(s)\_Z824B0-XL

AquaSpec® Single-Control Gooseneck Faucet

TAG \_\_\_\_\_

### Architectural/Engineering Specification:

Polished chrome-plated cast brass single control faucet with a rigid or swing spout, a ceramic disc cartridge and a temperature limit stop. Unit is furnished with a standard 2.2 GPM aerator, a metal ADA compliant lever handle, stainless steel flex connection hoses and mounting hardware.

Zurn Lead Free products (-XL) is the line of durable, high quality brass faucets and fixtures that are designed and manufactured to comply with Section 1417 of the Safe Drinking Water Act (SDWA) which mandates the weighted average lead content of no more than 0.25% of the wetted surface.

### PRODUCT FEATURES:

- Heavy-duty Quarter Turn Ceramic Disc Cartridge
- Chrome-plated Cast Brass Body
- Stainless Steel Flex Connection Hoses

### SUFFIX OPTIONS:

-140	140 degree Restricted Swing Gooseneck Spout
-HS	Hose and Spray

### AERATOR OPTIONS:

Suffix	Flowrate GPM [L]	Vandal-Resistant	Pressure Compensating	Outlet Type
-16F	1.0 GPM [3.8L]	x	x	Spray
-17F	1.5 GPM [5.7L]	x	x	Aerator
-18F	1.5 GPM [5.7L]	x	x	Laminar
-22F	1.0 GPM [3.8L]	x		Laminar
-25F	0.35 GPM [1.3L]	x	x	Spray
-28F	0.5 GPM [1.9L]	x		Laminar
-2F	2.2 GPM [8.3L]	x		Aerator
-3F	0.5 GPM [1.9L]	x		Spray
-4F	2.2 GPM [8.3L]	x		Laminar
-7F	1.0 GPM [3.8L]		x	Spray
-FC	2.0 GPM [7.6L]		x	
-FC0.5	0.5 GPM [1.9L]		x	
-FC1.0	1.0 GPM [3.8L]		x	
-FC1.5	1.5 GPM [5.7L]		x	
-27F	0.5 GPM [1.9L]			Laminar



### Product Compliance:

ADA  
 ASME A112.18.1/CSA B125.1  
 CSA B125.1  
 NSF 61

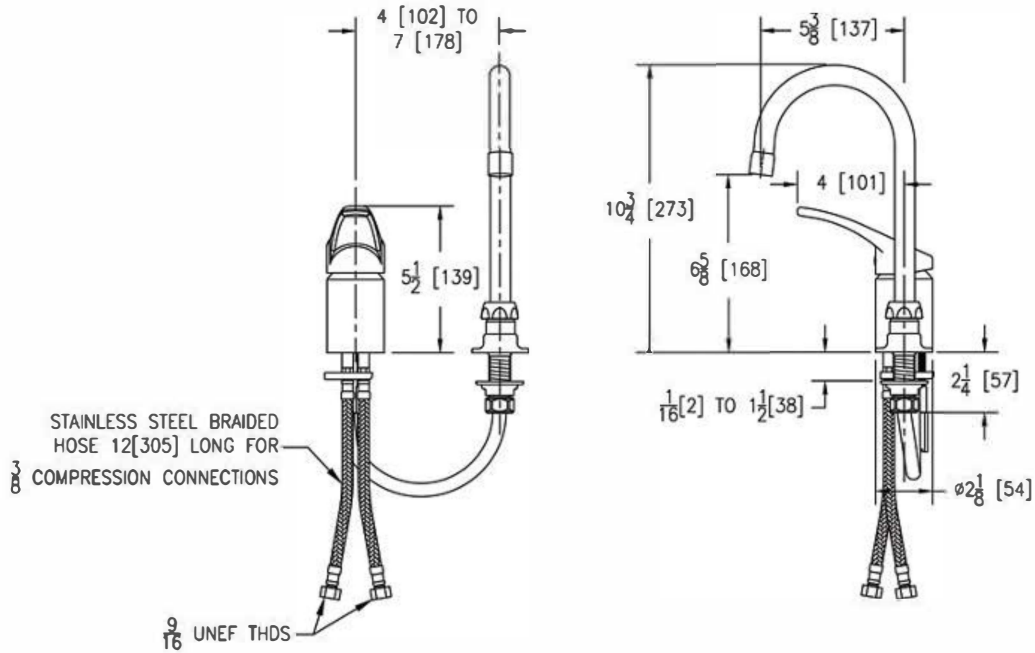
\*Complies with ADA & ICC A117.1 accessibility requirements when installed according to the requirements outlined in these standards.

*\*Although products with certain combinations of options and features will meet or comply with these standards and/or certifications, not every combination of options and features will result in such compliance. If you have any questions about your particular product, please contact our Customer Care Dept. at 1-855-ONE-ZURN (United States) or 1-877-892-5216 (Canada) for confirmation.*

Architectural/Engineering Approval

Design and dimensional data (inches and [mm]) are subject to manufacturing tolerances and change without notice.

⚠ WARNING: Cancer and Reproductive Harm - [www.P65warnings.ca.gov](http://www.P65warnings.ca.gov)  
 ⚠ ADVERTENCIA: Cáncer y daño reproductivo - [www.P65warnings.ca.gov](http://www.P65warnings.ca.gov)  
 ⚠ AVERTISSEMENT: Cancer et effets néfastes sur la reproduction - [www.P65warnings.ca.gov](http://www.P65warnings.ca.gov)



NOTE: All dimensions are for reference only. Do not use for pre-plumbing.