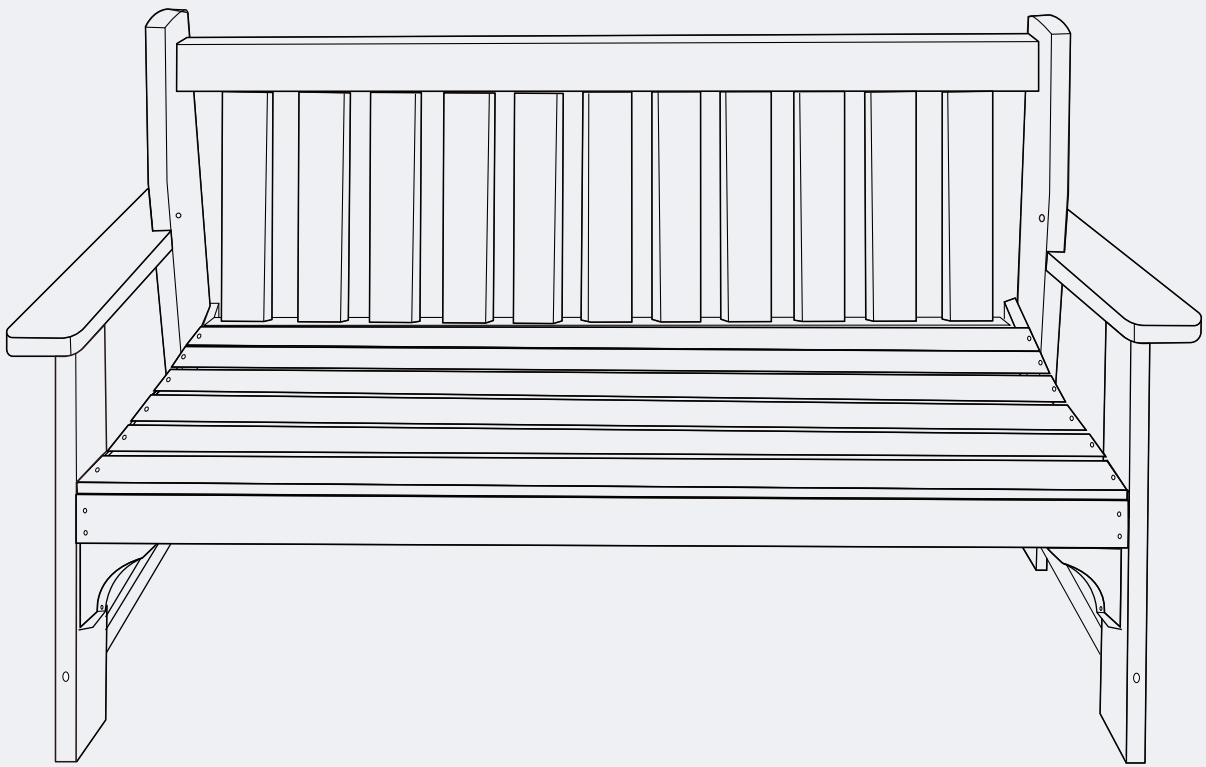


INSTRUCTION MANUAL



Poly 51" Garden Bench

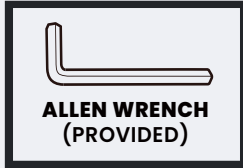
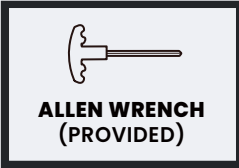
V1.0

! CARE & MAINTENANCE

Please keep these instructions for your future reference.

- Be careful when assembling to avoid damaging the plating of the surface.
- Clean the chair with lukewarm water, mild detergent & soft cloth.
- Firmly secure all bolts before use. Do not use any part of this item as a step ladder.
- Make sure that all bolts, screws, and nuts are secure every 90 days.
- Do not use or store this item in the proximity of open flame or flammable/combustible chemicals.
- Be aware that some parts are heavy and have sharp edges.
- Do not overtighten screws (insert all screws before tightening screws).

TOOLS REQUIRED



**CHAIR
600 LBS
CAPACITY**

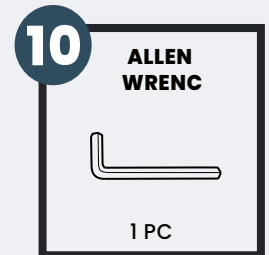
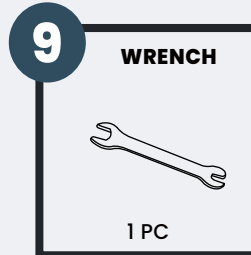
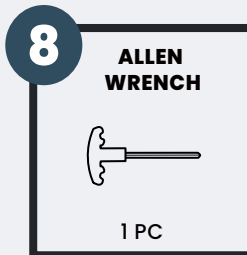
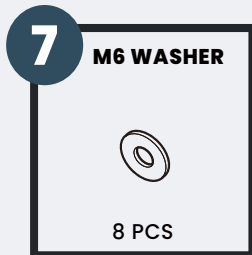
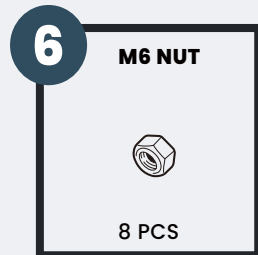
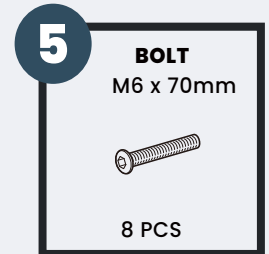
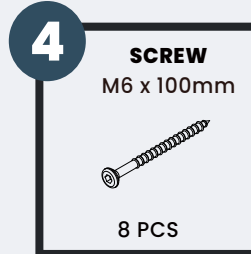
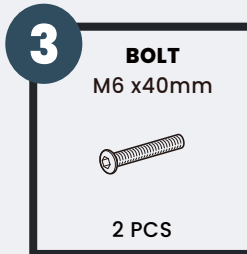
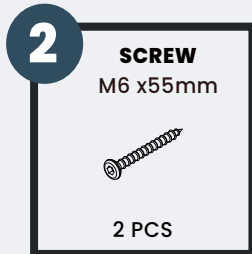
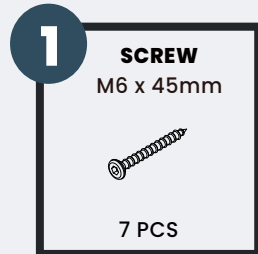


**2 PERSONS
ASSEMBLY**

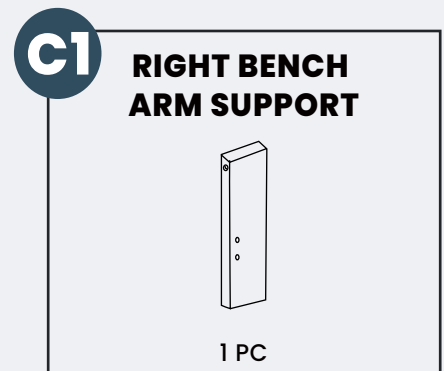
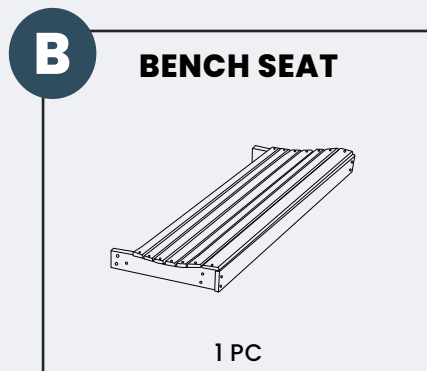
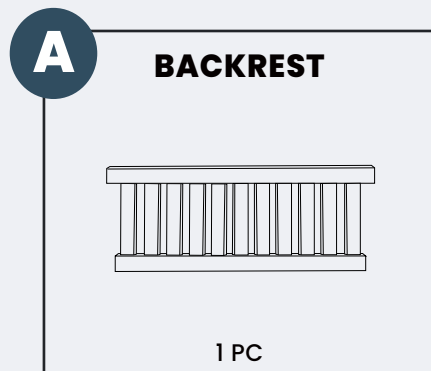


**UP TO 30 MIN.
ASSEMBLY**

HARDWARE



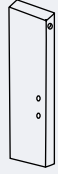
PARTS



PARTS

C2

**LEFT BENCH
ARM SUPPORT**



1 PC

D

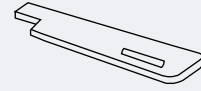
LEFT BENCH ARM



1 PC

E

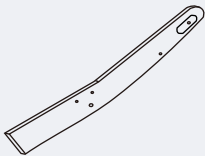
RIGHT BENCH ARM



1 PC

F

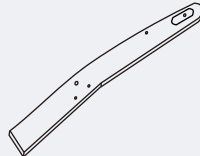
LEFT BENCH LEG



1 PC

G

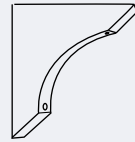
RIGHT BENCH LEG



1 PC

H

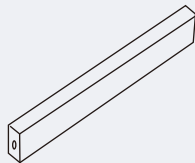
CORNER BRACE



2 PCS

I

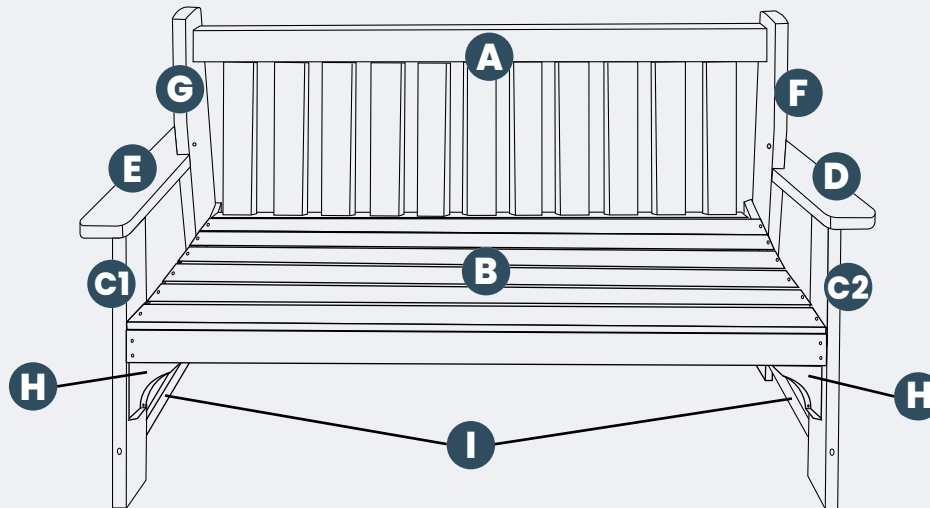
LONG BRACE



2 PCS

PRODUCT ASSEMBLY - OVERALL VIEW

Look at following overall view of this bench and learn the exact position of each parts to be assembled.

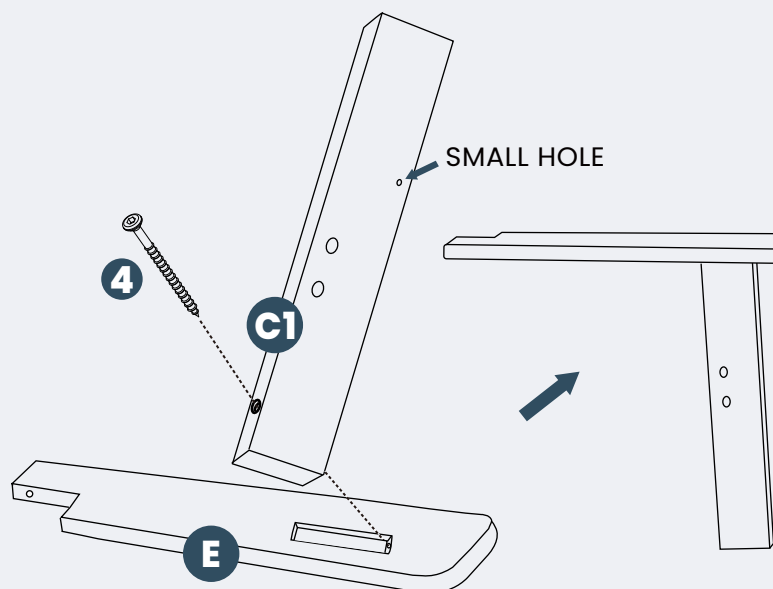


PRODUCT ASSEMBLY

1

Place **Part E Right Bench Arm** upside down on flat surface, attach **part C1 Right Bench Arm support** to **part E** with 1 pc of hardware **#4 Screw**.

Pay attention that the small hole is facing inside. Do the same to assemble another arm.

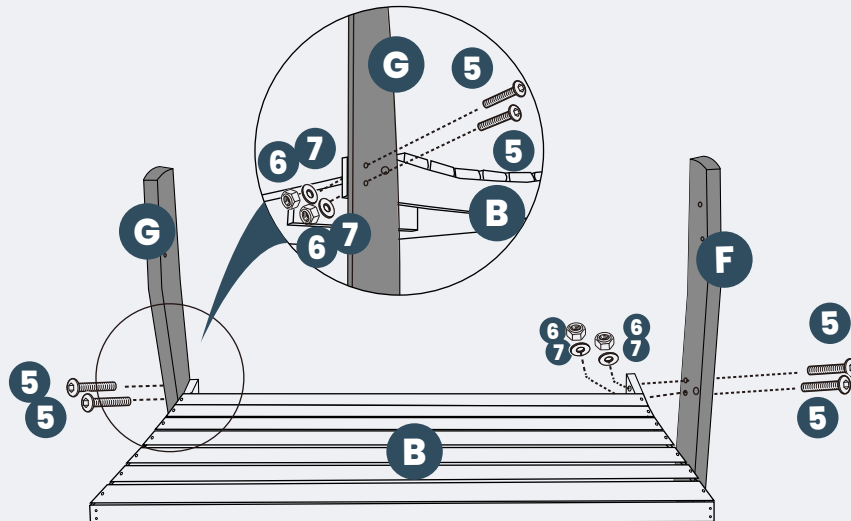


PRODUCT ASSEMBLY

2

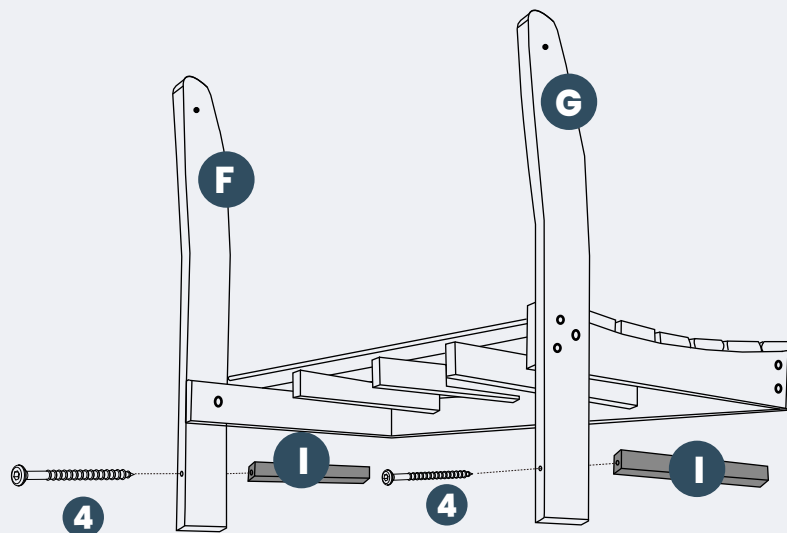
Attach **part G Right Bench leg** to **part B Bench Seat** with 2 sets of hardware **#5 Bolt**, hardware **#7 Washer** and hardware **#6 Nut**.

Attach **part F Left Bench leg** to **part B Bench Seat** with 2 sets of hardware **#5 Bolt**, hardware **#7 Washer** and hardware **#6 Nut**.



3

Attach 2 pcs of **part I Long Brace** to **part F and G Bench Legs** with 2 pcs of hardware **#4 Screw**.

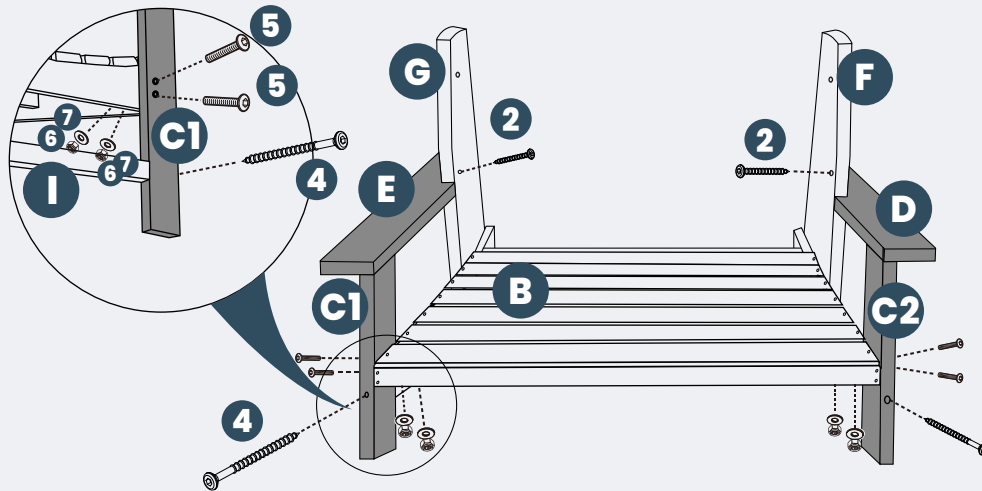


PRODUCT ASSEMBLY

4

Attach combined **part (C1+E)** to **part G Right Bench Leg** with 1 pc of hardware **#2 Screw**. Attach the arm to **part I Long brace** with 1 pc of hardware **#4 Screw**. Attach it to **part B Bench Seat** with 2 sets of hardware **#5 Bolt**, hardware **#7 Washer** and hardware **#6 Nut**.

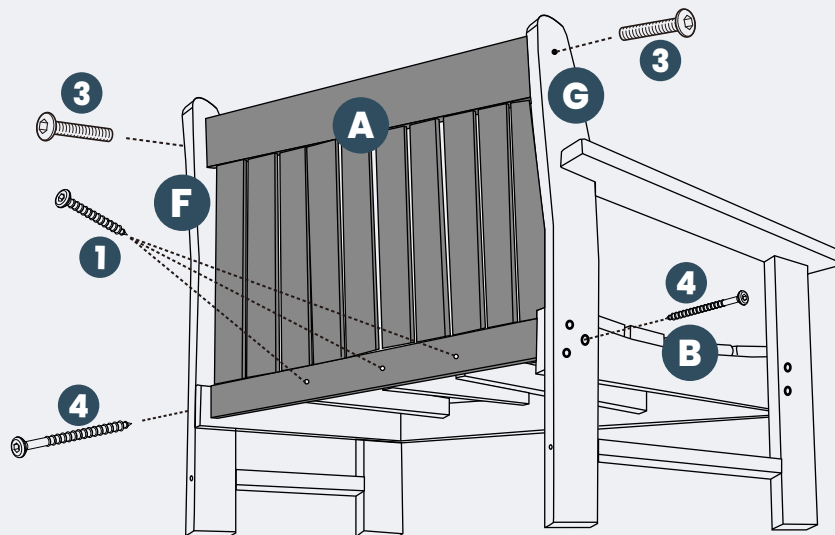
Do the same to attach combined **part (C2+D)** to the bench.



5

Attach **part A Backrest** to **part F and G Bench legs** with 2 pcs of hardware **#3 Bolt** and 2 pcs of hardware **#4 Screw** as below.

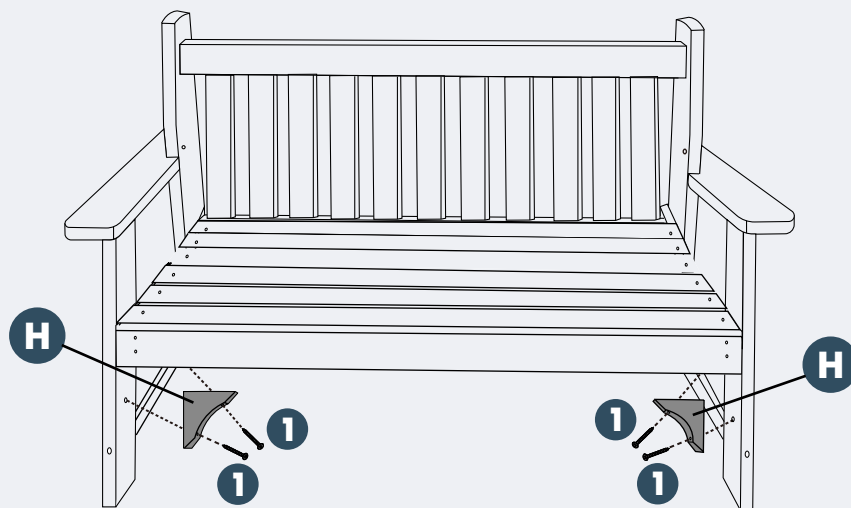
Attach the backrest to **part B Bench Seat** with 3 pcs of hardware **#1 Screw**.



PRODUCT ASSEMBLY

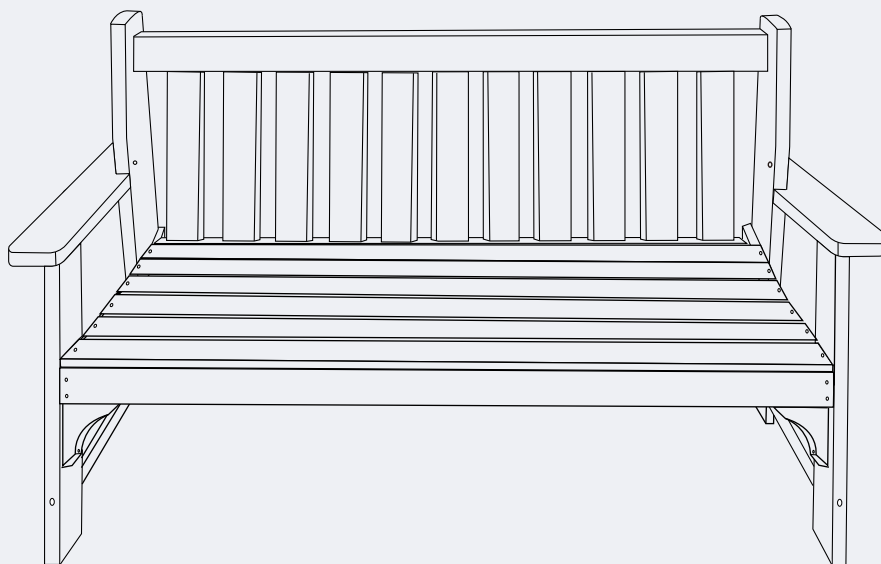
6

Attach 2 pcs of **part H Corner Brace** to the bench with 4 pcs of hardware **#1 Screw** as below.



7

Tighten all the bolts and nuts again to ensure the bench is steady enough to use.



CLEANING TIPS

REGULAR CLEAN: Use a mixture of warm water and mild soap. Gently scrub the surface with a soft bristle brush to remove any dirt or stains.

QUICK CLEAN: You can simply wipe down the furniture with a damp cloth.

Regular cleaning not only preserves the aesthetic appeal of your furniture, but also helps extend its lifespan.