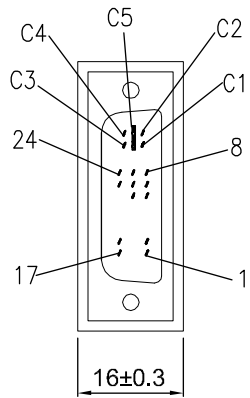
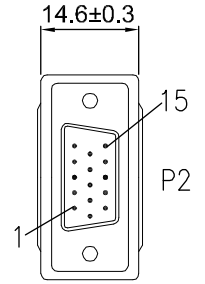
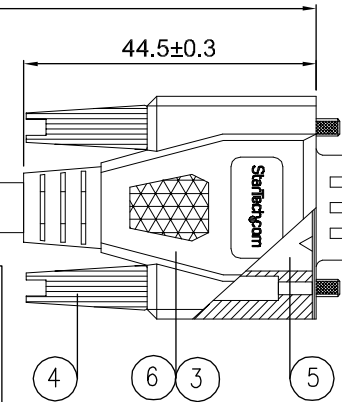
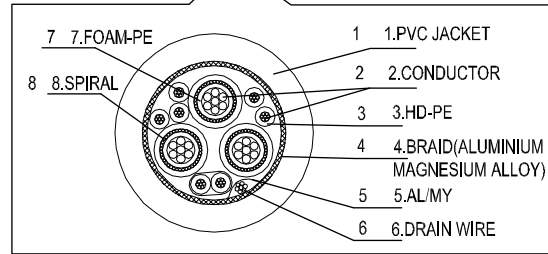
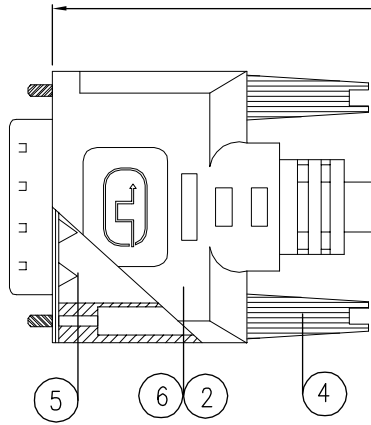


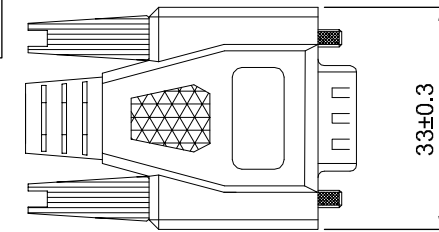
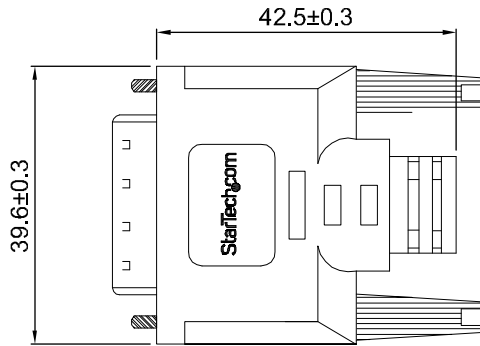
LENGTH(xx)



P1



P2



PINOUT:

| | P1 | COLOR | P2 |
|--|-------|----------------------------|-------|
| | 8 | PURPLE | 14 |
| | 7 | ORANGE | 12 |
| | 6 | YELLOW | 15 |
| | 14 | GREEN | 9 |
| | 16 | RED | 9 |
| | 15 | BLUE | 5+10 |
| | C5 | RED GREEN BLUE COAX SHIELD | 6+7+8 |
| | C1 | RED COAX COND | 1 |
| | C2 | GREEN COAX COND | 2 |
| | C3 | BLUE COAX COND | 3 |
| | C4 | WHITE | 13 |
| | SHELL | BRAID | SHELL |

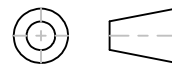
(1PR)

| PART NUMBER | LENGTH (xx) |
|-------------|-------------|
| DVIVGAMM1M | 1000±35mm |
| DVIVGAMM2M | 2000±35mm |
| DVIVGAMM3M | 3000±40mm |
| DVIVGAMM5M | 5000±65mm |

SPEC:

- CABLE UL20276 3COAX+1PR+5C+AEB 28AWG JACKET BLACK IN COLOR OD:7.5MM
- CONNECTOR DVI 12+5 MALE SOLDER TYPE PIN GOLD PLATED SHELL NICKEL PLATED
- CONNECTOR HDD15 MALE PIN GOLD PLATED SHELL NICKEL PLATED
- MOLDING SCREW 4-40UNC 4*45MM
- 100%METAL SHELL OF DVI AND HDD CONNECTORS
- MOLDING PVC BLACK IN COLOR

THIRD ANGLE PROJECTION



GENERAL NOTES

DIMENSIONS ARE IN MM - DO NOT SCALE
THIS DOCUMENT CONTAINS CONFIDENTIAL, PROPRIETARY INFORMATION THAT IS PROPERTY OF STARTECH.COM

StarTech.com

| | | | |
|--------------|----------------------------------|-------------------------|--|
| PRODUCT ID | DVIVGAMMxxM | | |
| DESCRIPTION | DVI to VGA Display Monitor Cable | | |
| DO NOT SCALE | SHEET: 1 OF: 1 | UPLOAD DATE: 10/11/2023 | |