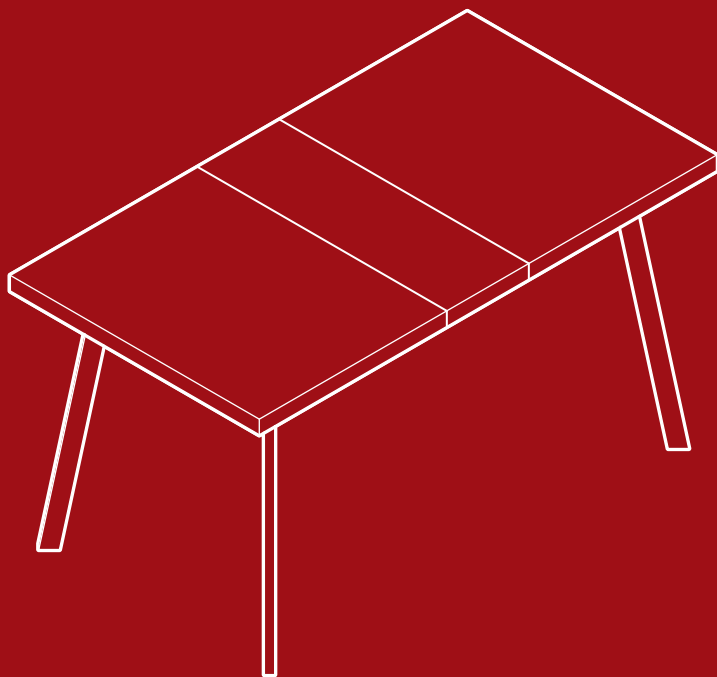




BEST CHOICE
PRODUCTS



INSTRUCTION MANUAL

Modern Extendable
Rectangular Dining Table



**BEST CHOICE
PRODUCTS**

As shoppers, we're always trying to find the perfect balance between quality & value. At BCP, we believe we've achieved that. Our diverse catalog of everyday essentials is tailored especially to our customers & guaranteed to hit that sweet spot of high quality & low price.

— Always. —

! NOTICE

Please retain these instructions for future reference.

- Please do not exceed the weight limitations of this item.
- Do not stand on or use any part of this item as a step ladder.
- Firmly secure all bolts, screws, or knobs before use.
- Reconfirm that all bolts, screws, or knobs are secure every 90 days.
- Fasten screws loosely during initial assembly. Do not firmly tighten the screws until the item is completely assembled.
- Do not use or store this item in the proximity of open flame or flammable/combustible chemicals.
- Be aware that some parts are heavy and have sharp edges.
- Assemble this item on a flat, level, and stable surface for an ideal construction.
- This product is intended for indoor use only.
- If any parts are missing, broken, damaged, or worn, stop using this product until repairs are made and/or factory replacement parts are installed.
- Do not use this item in a way inconsistent with the manufacturer's instructions as this could void the product warranty.
- This product is intended for residential use only.

TOOLS REQUIRED



ALLEN WRENCH
(PROVIDED)



132 LBS
CAPACITY



2 PERSON
ASSEMBLY



UP TO 20 MIN.
ASSEMBLY

HARDWARE

1

SCREW



32 PCS

2

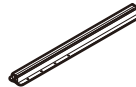
WASHER



32 PCS

3

TABLE
RUNNER SET

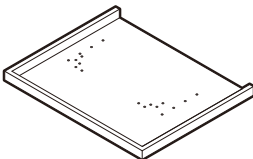


2 PCS

PARTS

A

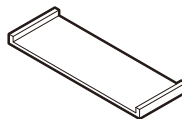
TABLE TOP



2 PCS

B

TABLE LEAF



1 PC

C

TABLE LEG

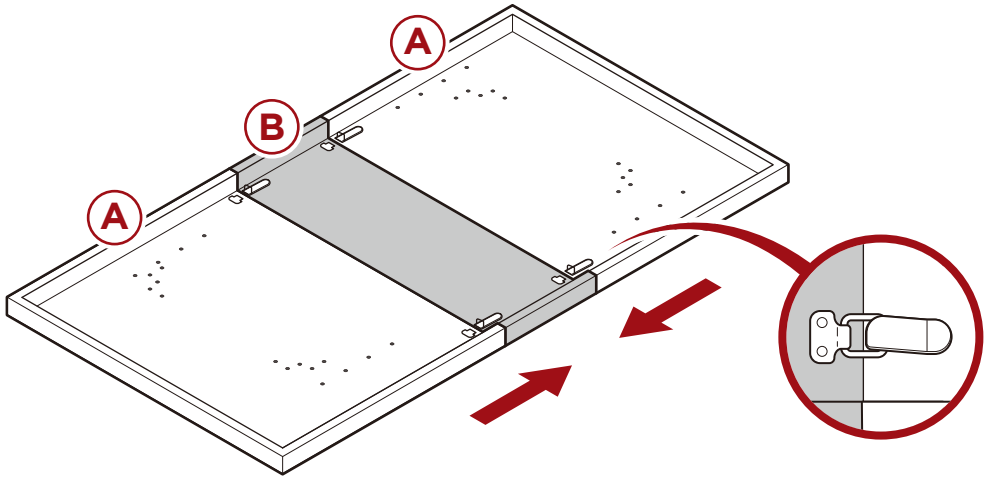


4 PCS

PRODUCT ASSEMBLY

1

Place the **part A table tops face down** on a soft, level surface. Place the **part B table leaf** between the two open ends and push the three pieces together until they are flush then secure with the four built-in latches.

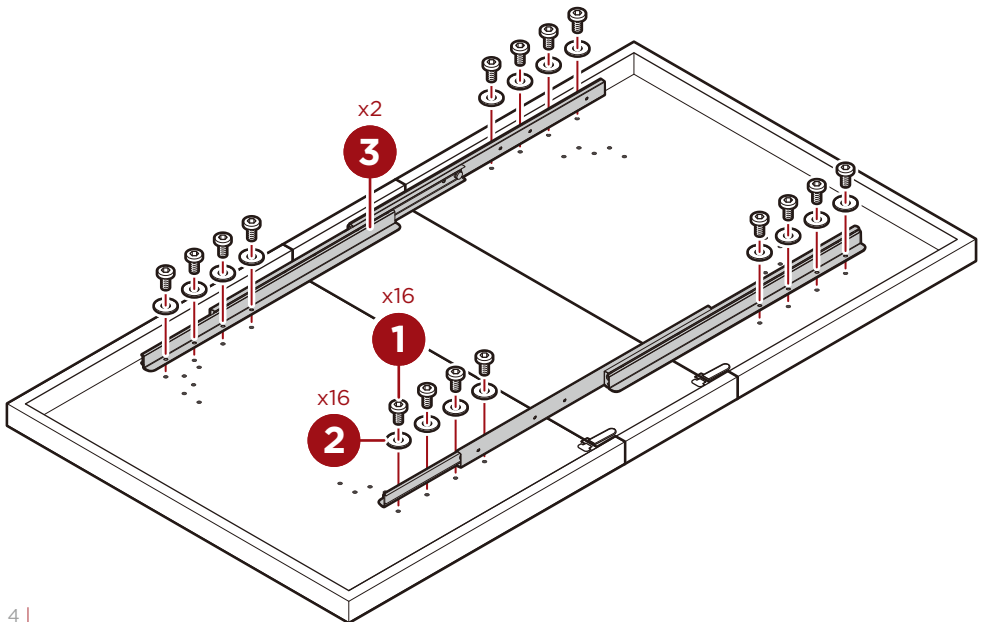


2

Locate one **part 3 table runner** and extend until fully open.

Use two **part 1 screws** and two **part 2 washers** to attach one end of the runner to both **part A table tops**.

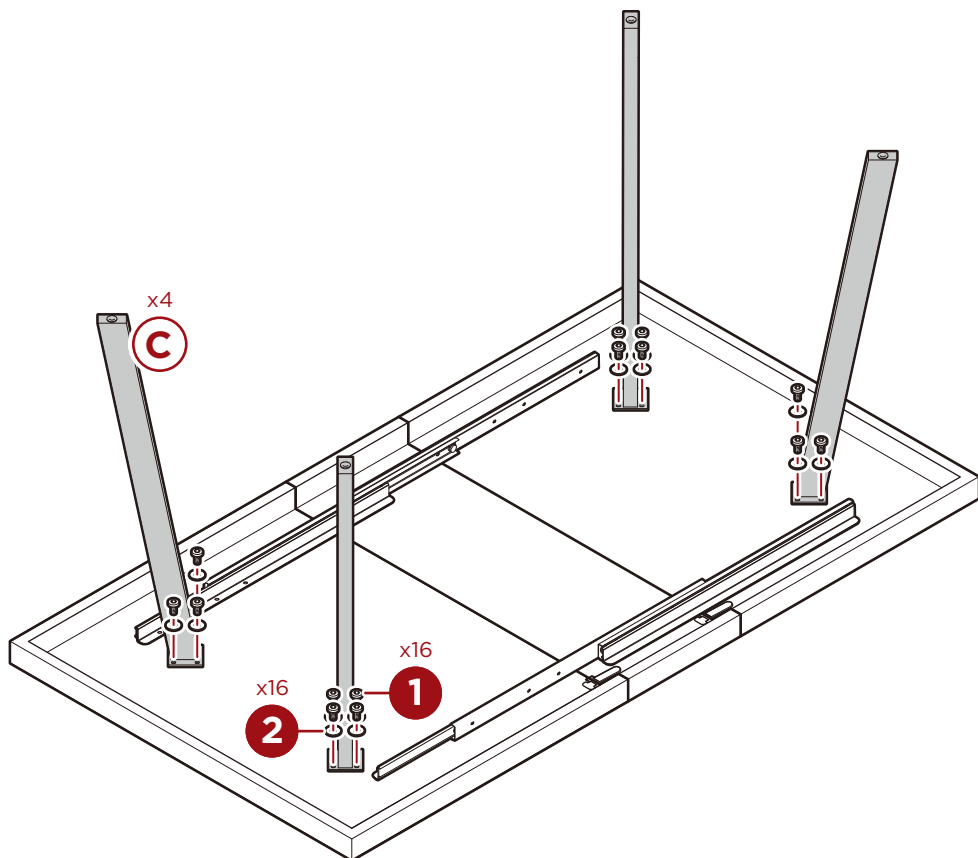
Repeat to attach the second runner, then use twelve **part 1 screws** and twelve **part 2 washers** to secure, eight screws/washers total on each runner.



PRODUCT ASSEMBLY

3

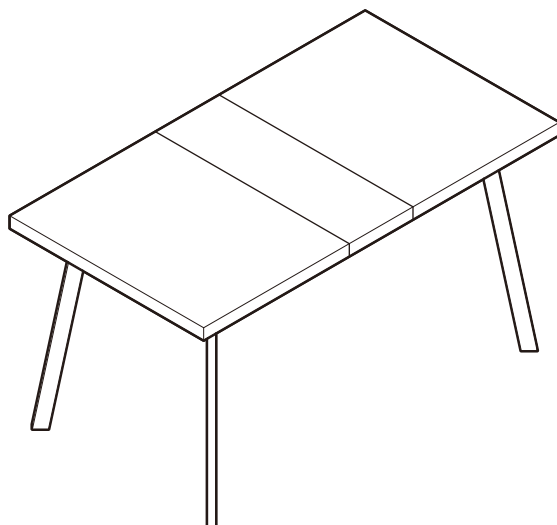
Attach one **part C table leg** with four **part 1 screws** and four **part 2 washers**. Repeat to attach the remaining legs.



PRODUCT ASSEMBLY

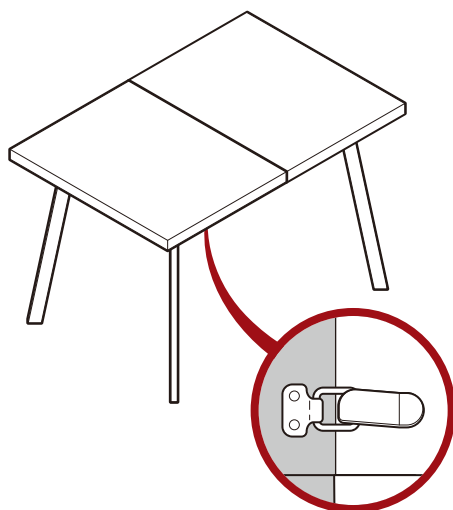
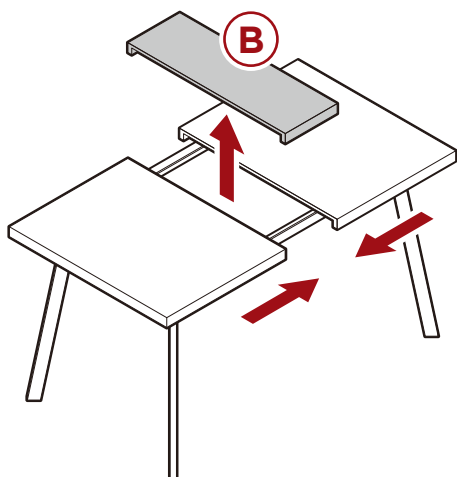
4

With a second person, lift and flip the assembled table upright.



5

To remove the leaf, release the latches on the bottom and lift the leaf from the assembly. Push the two **part A table top** sides of the table together until flush. Secure the latches underneath to lock the table in place.



Earn points while you shop. Join today!

bestchoiceproducts
rewards

Join | Earn | Redeem

Give your friends 15% off their first order! For each successful referral you'll receive 100 points.

bestchoiceproducts.com



HELP CENTER



Question about your product? We're here to help. Visit us at:

help.bestchoiceproducts.com



Chat Support



Product Inquiry



Orders FAQ



Product Assembly



Returns & Refunds

PRODUCT WARRANTY INFORMATION

All items can be returned for any reason within 60 days of the receipt and will receive a full refund as long as the item is returned in its original product packaging and all accessories from its original shipment are included. All returned items will receive a full refund back to the original payment method. All returned items will not be charged a re-stocking fee.

All returned items require an RA (Return Authorization) number, which can only be provided by a Best Choice Products Customer Service Representative when the return request is submitted. Items received without an RA may not be accepted or may increase your return processing time. Once an item has been received by Best Choice Products, refunds or replacements will be processed within 5 business days.

All returns must be shipped back to the Best Choice Products Return Center at the customer's expense. If the reason for return is a result of an error by Best Choice Products then Best Choice Products will provide a pre-paid shipping label via email. Boxes for return shipping will not be provided by Best Choice Products, and is the customer's responsibility to either use the original shipping boxes or purchase new boxes.

Pictures may be required for some returns to ensure an item is not damaged prior to its return. Items returned are not considered undamaged until they are received by Best Choice Products and verified as such. All damages to items are the customer's responsibility until the item has been received by and acknowledge by Best Choice Products as undamaged.

WARNING

Manufacturer and seller expressly disclaim any and all liability for personal injury, property damage or loss, whether direct, indirect, or incidental, resulting from the incorrect attachment, improper use, inadequate maintenance, unapproved modification, or neglect of this product.