

#### Features

- Pressure-balancing diaphragm technology maintains outlet temperature within +/-3°F during water pressure fluctuations
- Antiscald protection
- A single handle controls both on/off activation and temperature setting
- Includes faceplate with ADA-compliant metal sculpted lever handle
- Includes diverter bath spout with 1/2" copper slip-fit connection
- Includes single-function 1.75 gpm (6.6 lpm) showerhead
- MasterClean™ sprayface features an easy-to-clean surface that withstands mineral buildup and maximizes spray performance
- Coordinates with Forté® faucets, accessories, and showering components to complete your bathroom
- This product can help a building earn Water Efficiency points in LEED® Green Building Rating System

#### Material

- Premium material construction for durability and reliability
- KOHLER finishes resist corrosion and tarnishing

#### Installation

- Trim only; requires valve to complete installation (sold separately)

#### Required Products/Accessories

K-8304 Series Rite-Temp® Valve & Cartridge Kits

or

K-8300 Series Rite-Temp® Valve Body Rough-ins

K-8305 Series Rite-Temp® Cartridges

#### Adapters, Rough-in and Extension Kits

GP1025388

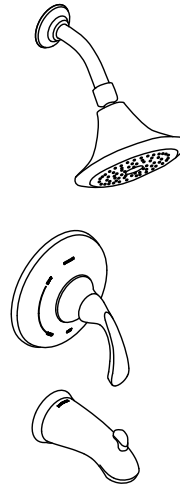
Range: 3-1/2" (89 mm) -  
4-1/4" (108 mm)

#### Optional Products/Accessories

K-10350 Deep rough-in kit

K-10351 Test cap for K-8300 Series valve bodies

88526 Thin Wall Trim Kit



#### Codes/Standards

ASME A112.18.1/CSA B125.1

DOE - Energy Policy Act 1992

EPA WaterSense®

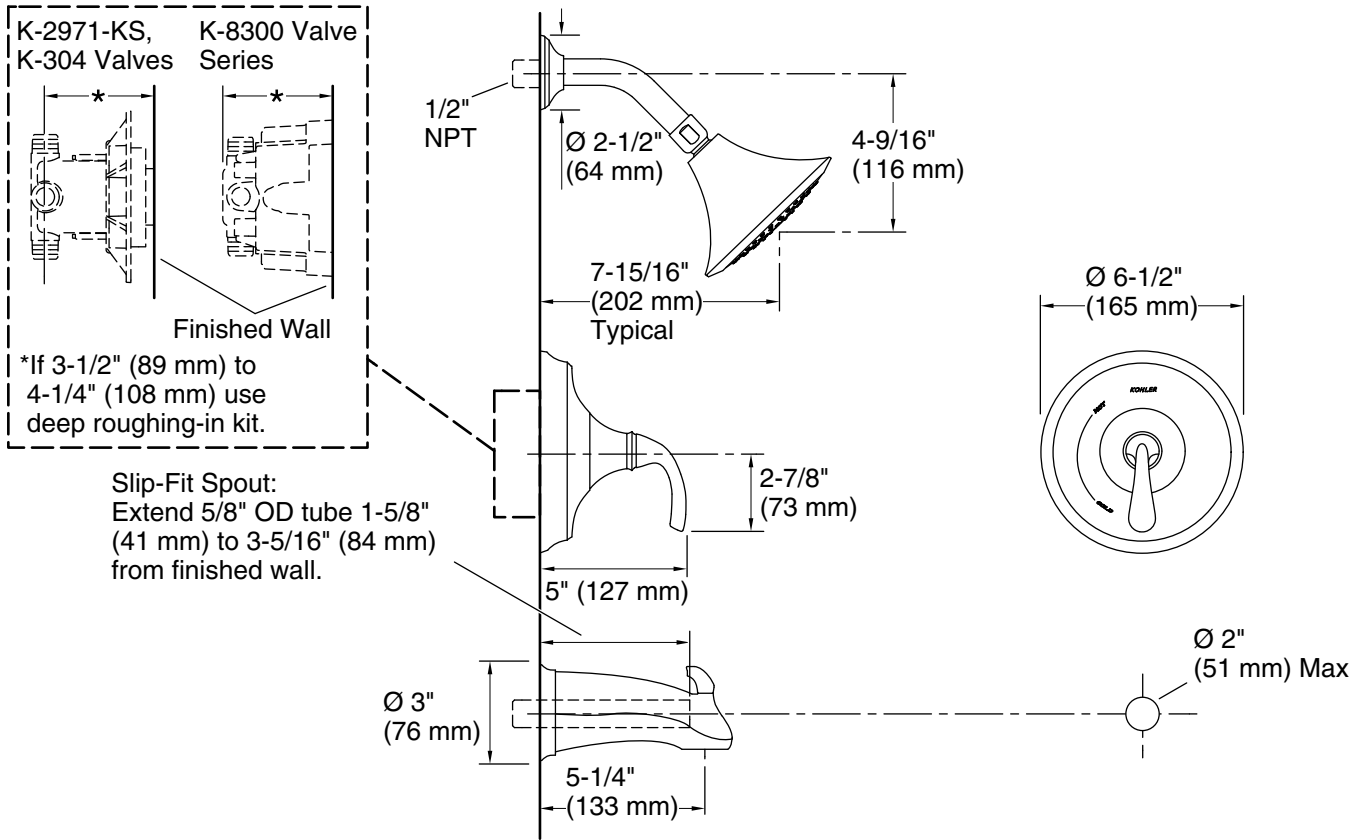
California Energy Commission (CEC)

#### KOHLER® Faucet Lifetime Limited Warranty

See website for detailed warranty information.

# KOHLER Faucets Rite-Temp® bath and shower trim kit, 1.75 gpm, slip-fit spout

**Forté®**  
**K-TS10275-4G**



## Technical Information

All product dimensions are nominal.

### Spout:

- Spout reach: 5-1/4" (133 mm)
- Handshower rated max flow: 1.75 gal/min (6.6 l/min)
- Shower/Rainhead rated max flow: 1.75 gal/min (6.6 l/min)

## Notes

- For use with automatic compensating valves rated at 1.5 gal/min (5.7 l/min) or less.
- Install this product according to the installation instructions.
- Install straight pipe or tube drop of 7" (178 mm) to 18" (457 mm) with single elbow between the valve and the wall-mount spout.
- NOTICE: Risk of product damage. Long screws, for installing trim, can damage the K-2971-KS valve. Consult the trim installation guide to verify if the thin wall installation kit is needed.