

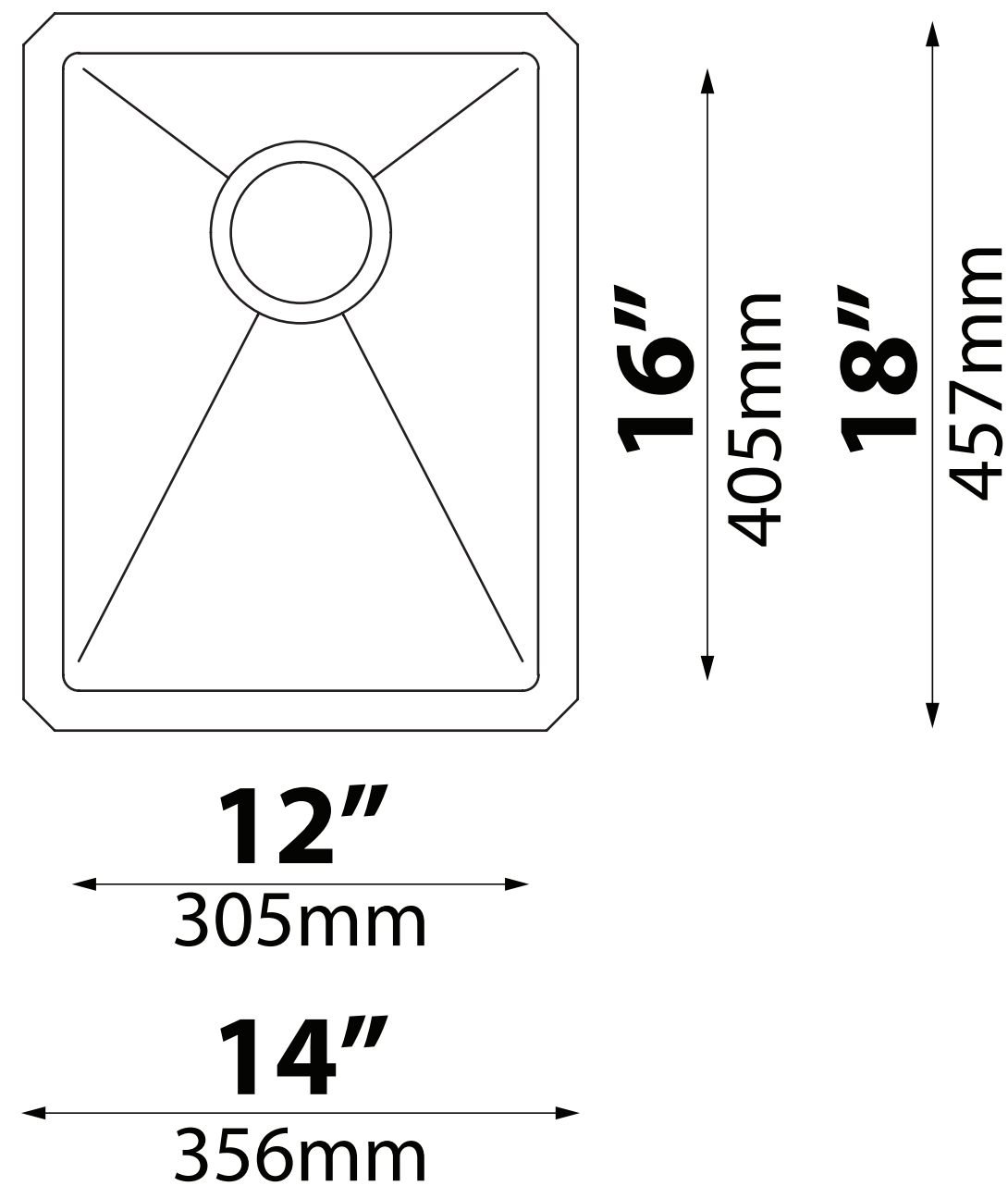
Kräus[®]

www.kraususa.com

**Model No.
KHU101-14**

Pro Hotline:
516.801.8955

Customer Service:
800.775.0703



NOTE: Cutout template is provided as a guide **ONLY** and must be checked against actual sink to verify correct fit.

Please cut along inner solid line for negative reveal 1/8"

Please tear perforated edge for zero / flushed reveal

Please use outer edge for positive reveal 3/8"