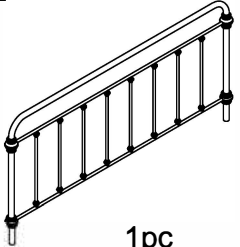
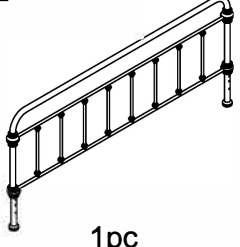

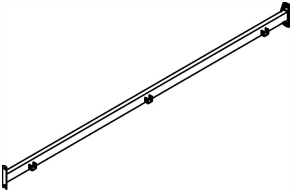
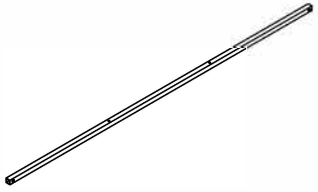



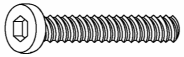



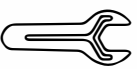
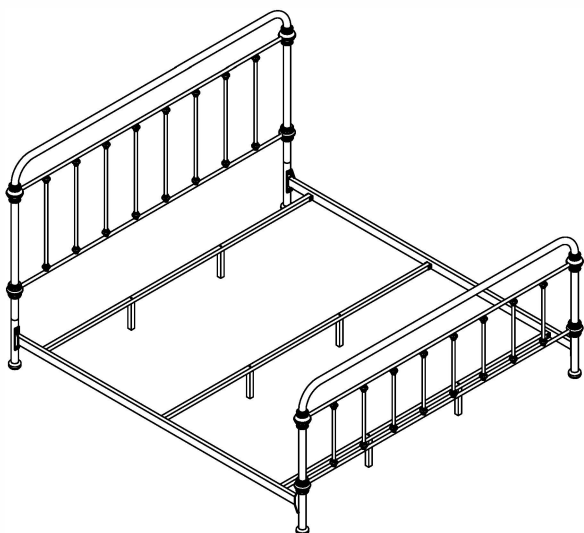


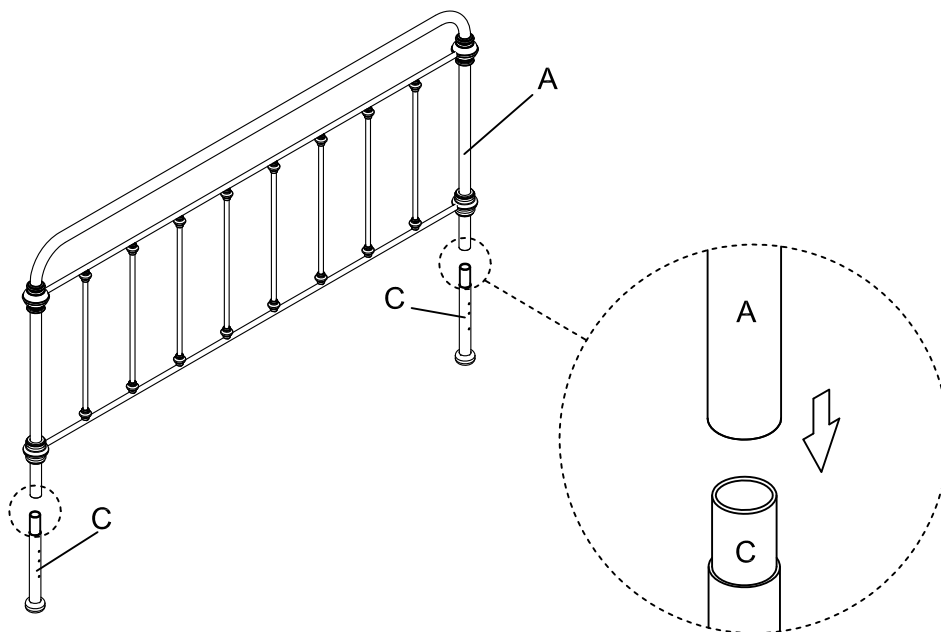
# ASSEMBLY INSTRUCTION

<b>A</b> Headboard  1pc	<b>B</b> Footboard  1pc	<b>C</b> Extension Leg  2pcs	<b>D</b> Side Rail  2pcs
<b>E</b> Slats  3pcs	<b>F</b> Support Leg  6pcs	<b>G</b> Bolt 1/4",57mm  4pcs	<b>H</b> Bolt 1/4",44mm  12pcs
<b>I</b> Bolt 1/4",22mm  4pcs	<b>J</b> Nut  10pcs	<b>K</b> Flat Washer Ø16mm  26pcs	<b>L</b> Allen Wrench 4X4mm  1pc
<b>M</b> Wrench 11.3mm  1pc			

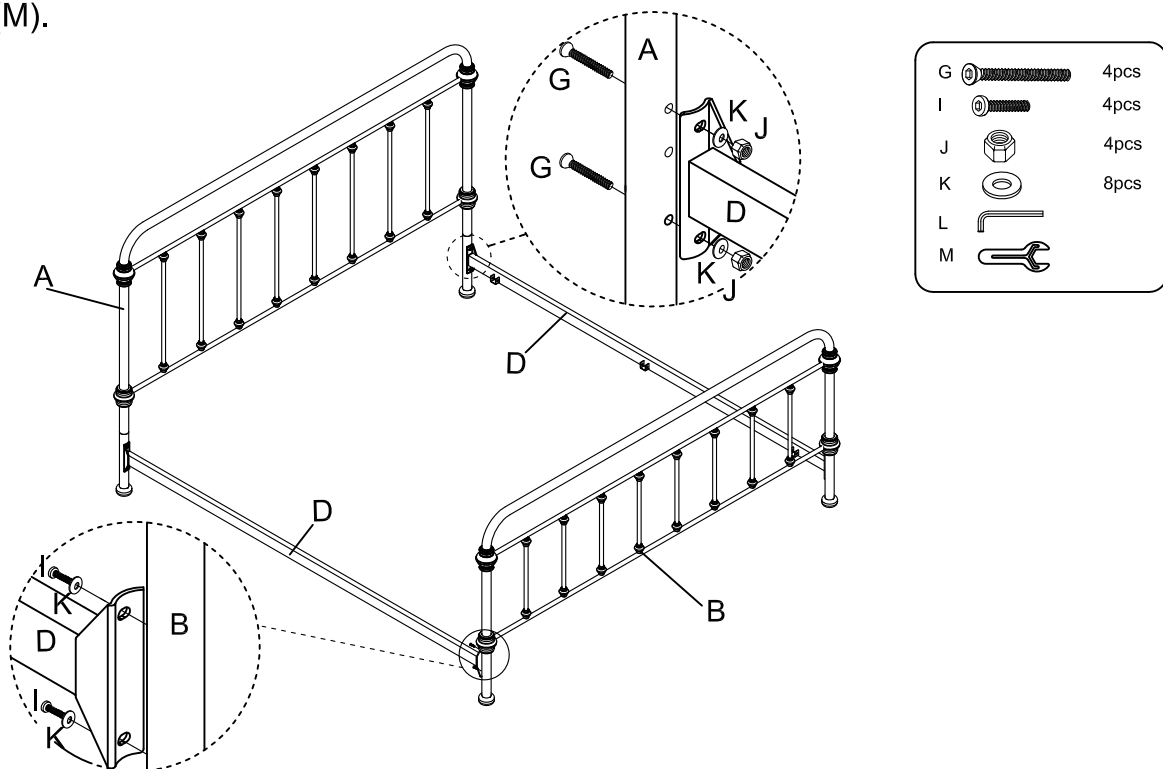


This page lists all the contents included in the box. Please take the time to identify the hardware as well as the individual components to this product. As you unpack and prepare for assembly, place the contents on a carpeted or padded area to protect them from damage.

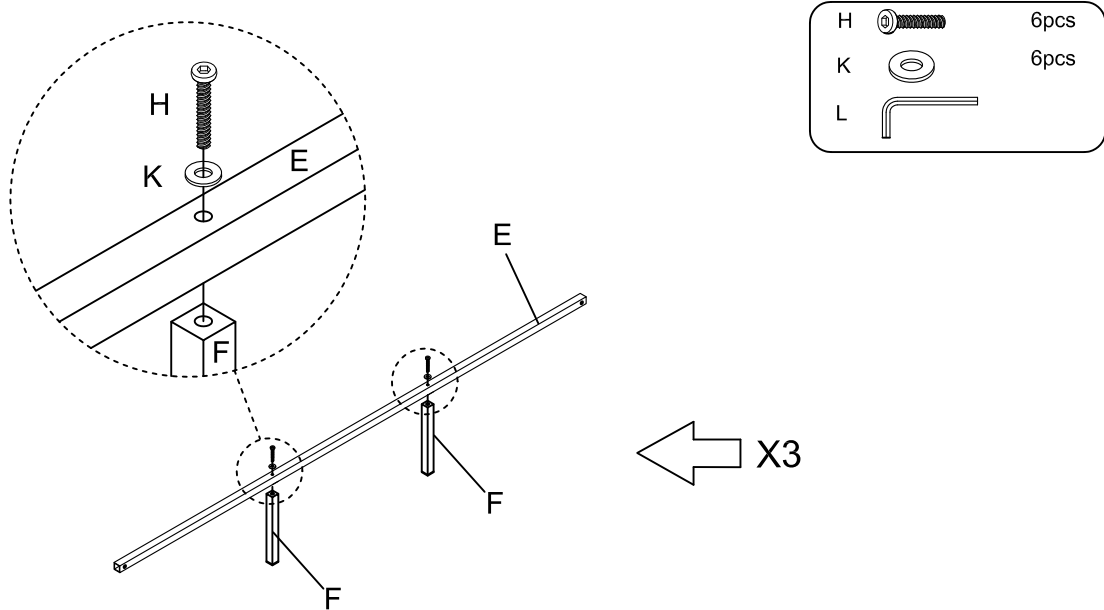
**1** Assemble the headboard (A) to the extension leg (C).



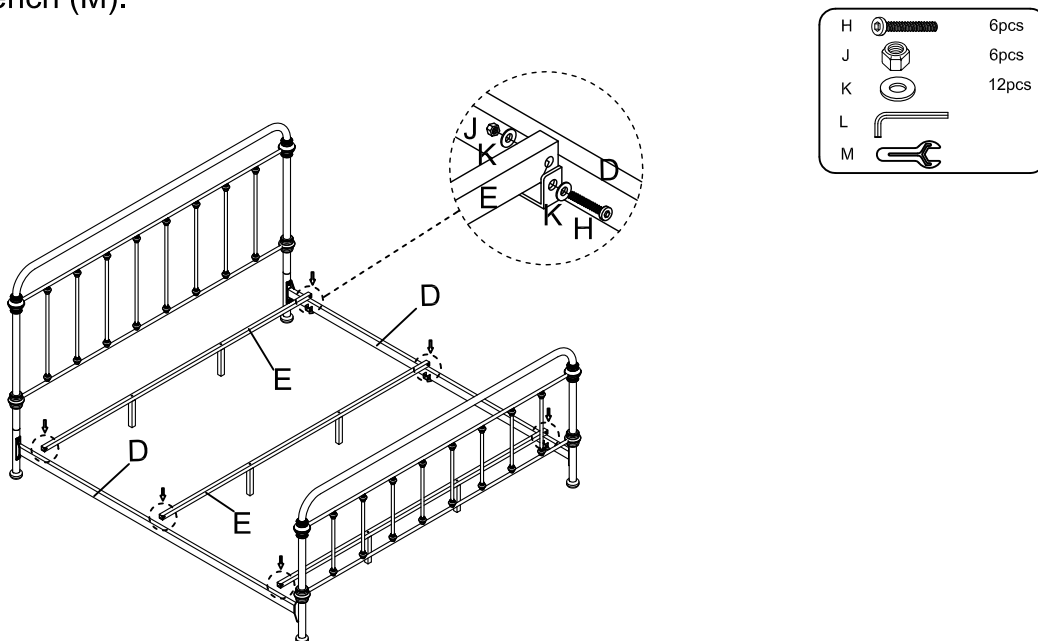
**2** Assemble the side rail (D) to the headboard (A) & footboard (B) with 2pcs bolt (G), nut (J), flat washer(K) for each end of headboard (A) and 2pcs bolt (I), flat washer (K) for each end of footboard (B), then fastened using allen wrench (L) and wrench (M).



**3** Assemble the slat (E) to the support leg (F) with 1pc bolt (H), flat washer(K) for each support leg(F), then fastened using allen wrench (L).



**4** Assemble the slat (E) to the side rail (D) with 1pc bolt (H), nut (J) and 2pcs flat washer (K) for each end of slat (E), then fastened using allen wrench (L) and wrench (M).



**Cleaning & Care**

Treat surface with care. Surface is resistant to scratches but is not scratch resistant. Clean surfaces with a dry or damp soft cloth. Do not use abrasive cleaners. Hardware may loosen over time. Periodically check that all connections are tight.