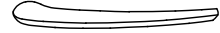
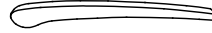
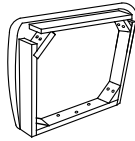
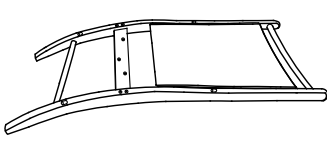


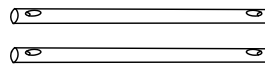
# ASSEMBLY INSTRUCTIONS

## ARM CHAIR

**A** Back Frame      **B** Cushion Seat      **C** Left Arm      **D** Right Arm



1 pc      1 pc      1 pc      1 pc  
**E** Left Front Leg      **F** Right Front Leg      **G** Side Stretcher      **H** JCBC Bolt M6 x 80mm



1 pc      1 pc      2 pcs      4 pcs  
**I** JCBC Bolt M6 x 60mm      **J** JCBC Bolt M6 x 40mm      **K** Lock Washer M8 x 13mm      **L** Flat Washer M8 x 18mm

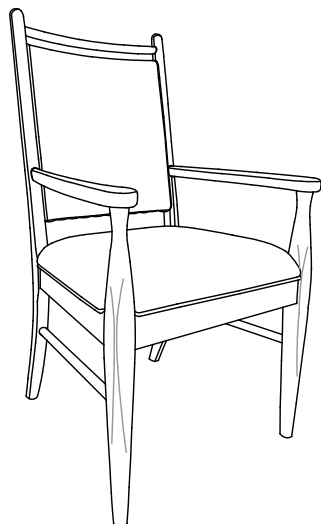


4 pcs      3 pcs      11 pcs      11 pcs  
**M** Wood Screw M5 x 38mm      **N** Allen Key M4



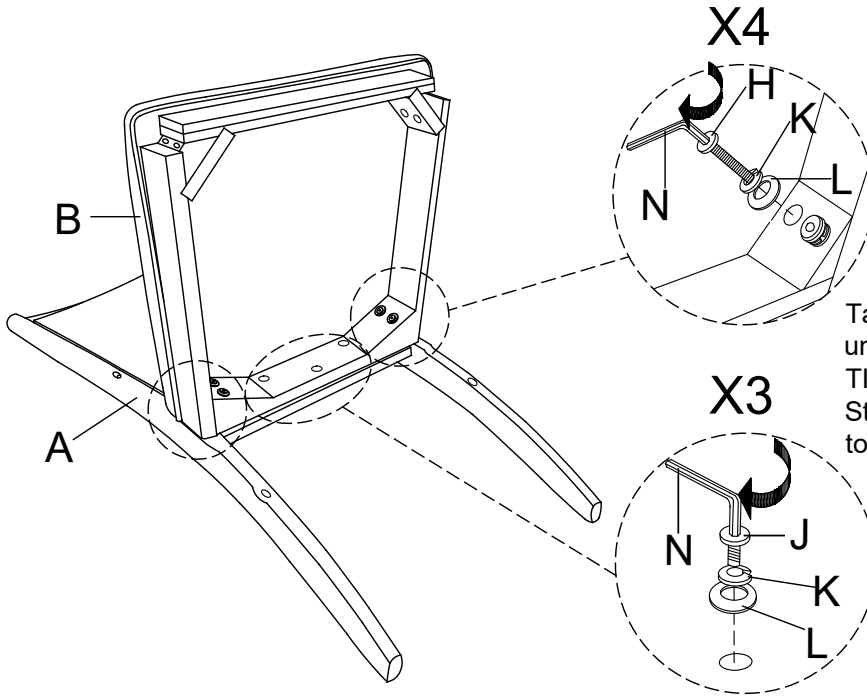
6 pcs

1 pc



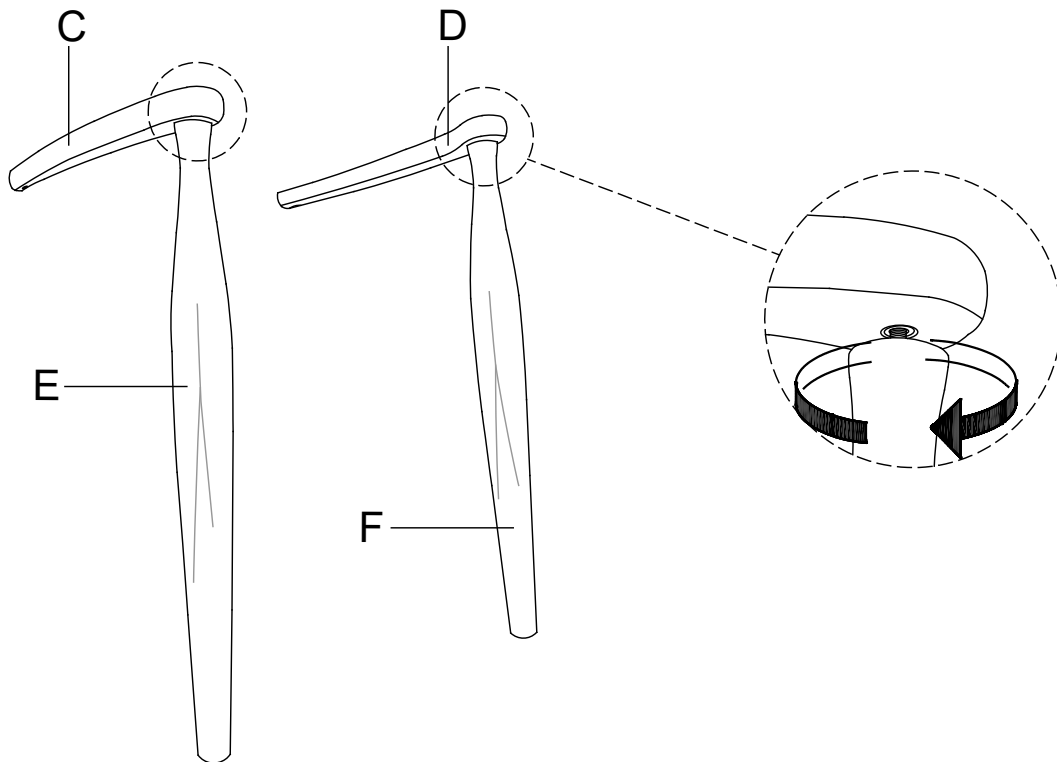
This page lists all the contents included in the box. Please take the time to identify the hardware as well as the individual components to this product. As you unpack and prepare for assembly, place the contents on a carpeted or padded area to protect them from damage.

- 1** Place the Back Frame (A) on a protective surface. Attach the Cushion Seat (B) to the Back Frame (A) using JCBC Bolt (J), Lock Washer (K) and Flat Washer (L) into the middle holes, and using JCBC Bolt (H), Lock Washer (K) and Flat Washer (L) into the corner holes, tightening with the Allen Key (N).

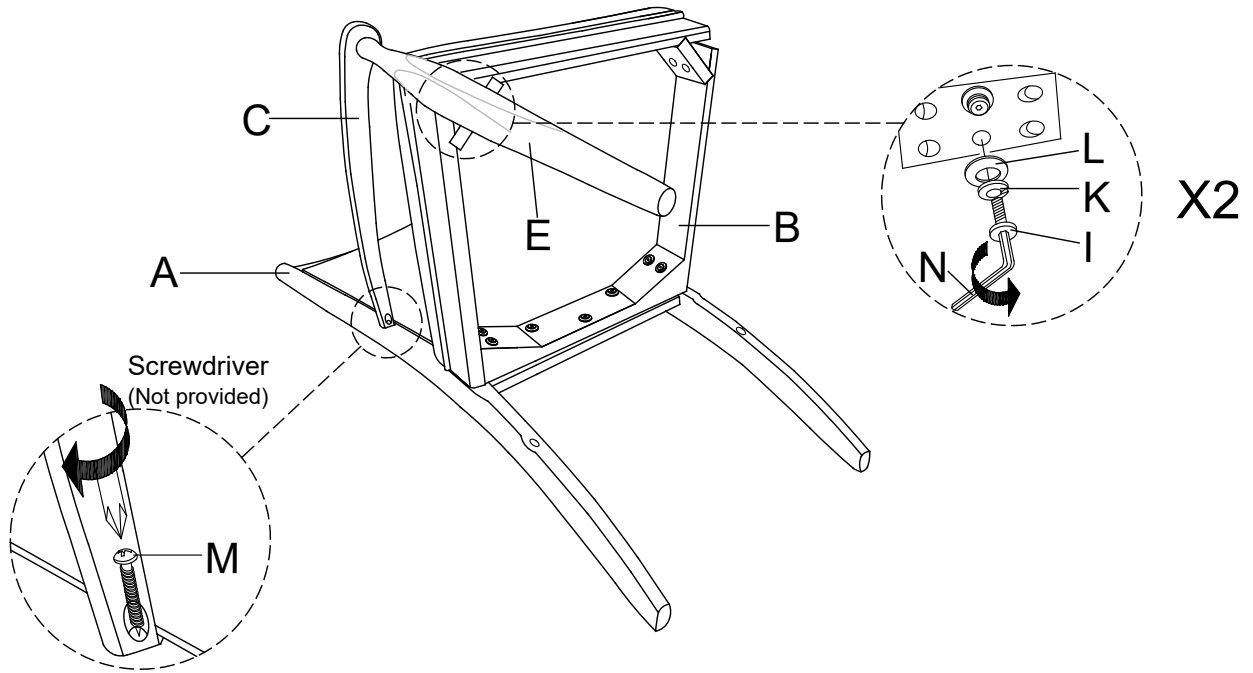


Take the Allen Key and turn the bolts until the legs are secured. **DO NOT TIGHTEN THE BOLTS COMPLETELY.** Stop when you feel you are adding force to tighten the bolt.

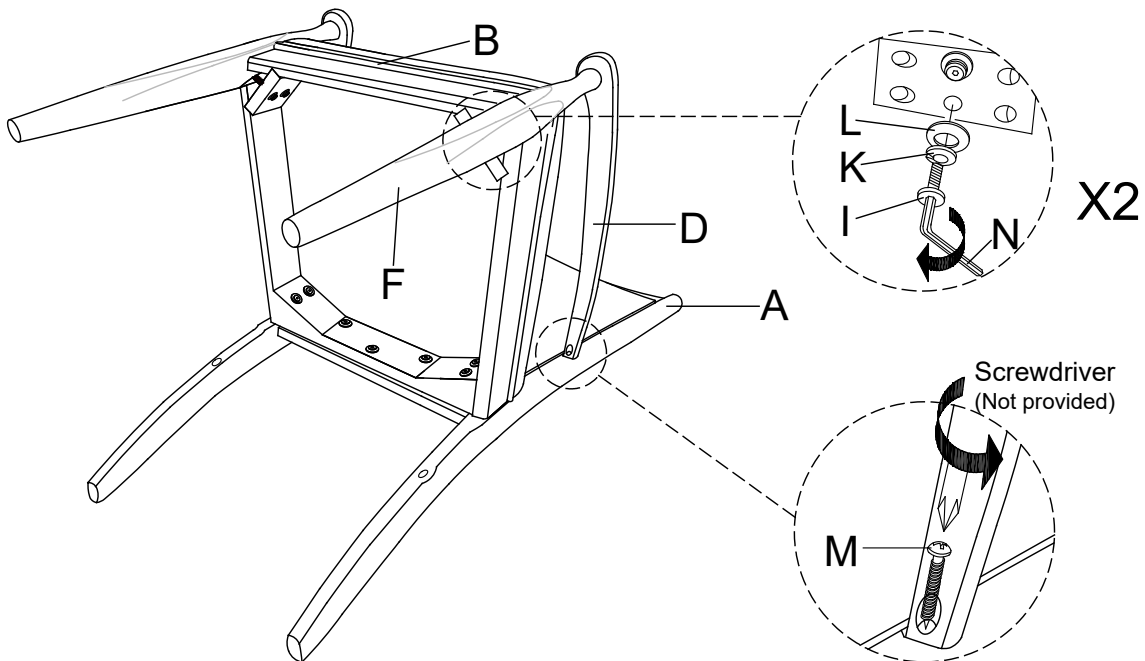
- 2** Attach the Left Front Leg (E) to the Left Arm (C), and the Right Front Leg (F) to the Right Arm (D) as shown.



- 3** Attach the Left Front Leg (E) to the Cushion Seat (B) using JCBC Bolt (I), Lock Washer (K) and Flat Washer (L) with the Allen Key (N). Then, attach the Left Arm (C) to the Back Frame (A) using Wood Screw (M) with a screwdriver (not provided).

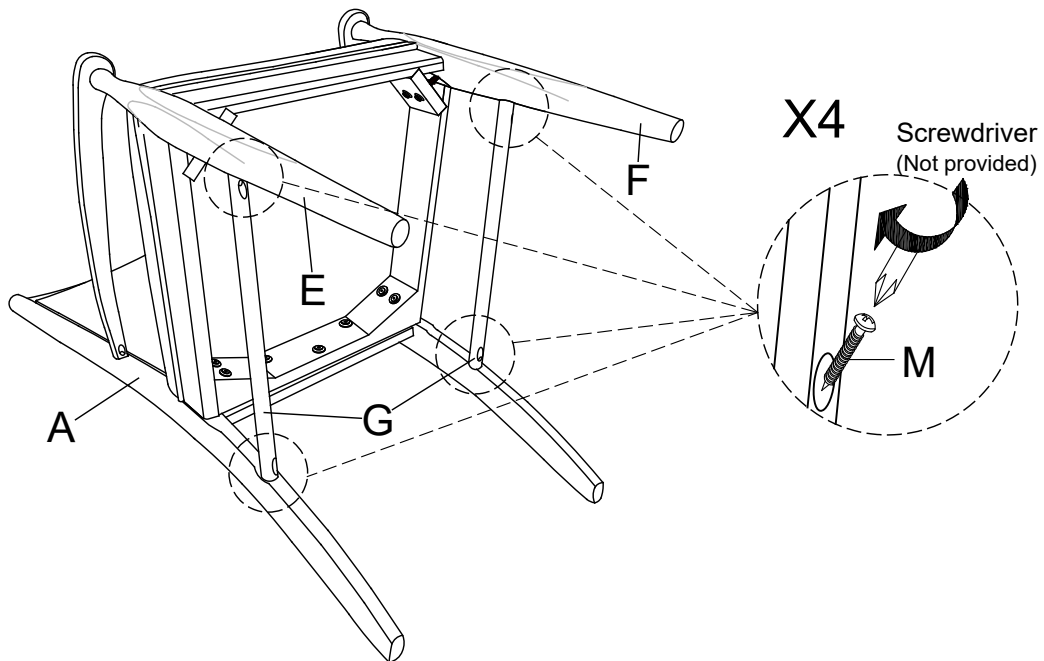


- 4** Attach the Right Front Leg (F) to the Cushion Seat (B) using JCBC Bolt (I), Lock Washer (K) and Flat Washer (L) with the Allen Key (N). Then, attach the Right Arm (D) to the Back Frame (A) using Wood Screw (M) with a screwdriver (not provided).



**5**

Attach the Side Stretcher (G) between the Back Frame (A) and the Left & Right Front Leg (E & F) using Wood Screw (M) with a screwdriver (not provided).



Stand the chair on an even surface and check for balance. If the chair wobbles slightly, apply downward pressure on the uneven leg and tighten the bolts to correct the imbalance. Once the chair is balanced, apply downward pressure evenly in the center of the chair and tighten all bolts, being careful not to over-tighten beyond the hole depth.

Helpful Tip: While tightening the bolts from underneath, have someone sit in the chair.

### Cleaning & Care

Treat surfaces with care. Surfaces are resistant to scratches but are not scratch resistant. Clean surfaces with a dry or damp soft cloth. Do not use abrasive cleaners. Hardware may loosen over time. Periodically check that all connections are tight.