

GDT640SSZSS

GE® Stainless Interior Dishwasher with Top Controls

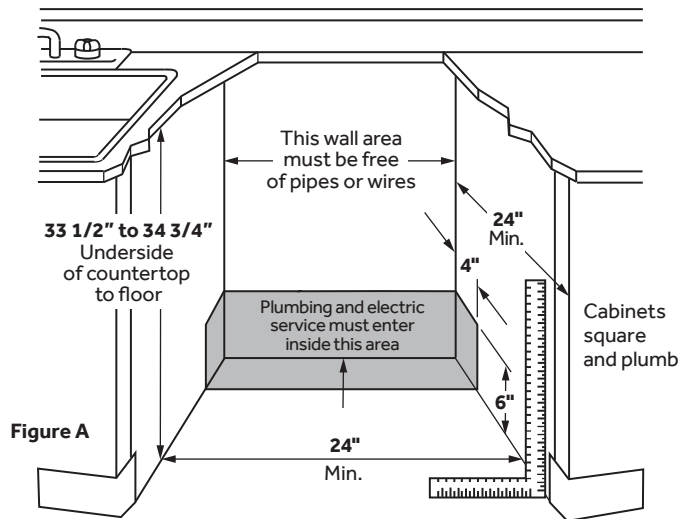
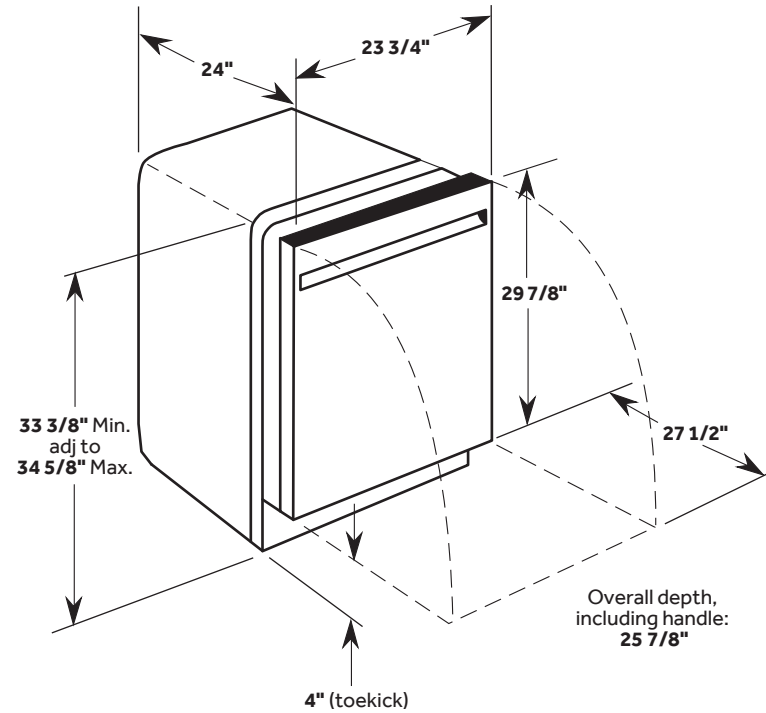
Dimensions and Installation Information (in Inches)

Electrical Rating

Voltage AC.....	120
Hertz.....	60
Total connected load amperage.....	7.8
Calrod® heater watts max.....	800/500

For use on adequately wired 120-volt, 7.8-amp circuit having 2-wire service with a separate ground wire. This appliance must be grounded for safe operation.

Installation Information: Before installing, consult installation instructions packed with product for current dimensional data.



For answers to your Monogram, Café™, GE Profile™ or GE Appliances product questions, visit our website at geappliances.com or call GE Answer Center® Service, 800.626.2000.



Specification Revised 3/26

GDT640SSZSS

GE® Stainless Interior Dishwasher with Top Controls

Features and Benefits

Dry Boost™ Technology – Dry Boost™ Technology outperforms standard heated-dry dishwashers by getting hard-to-dry items like plastics up to 3 times drier when compared to heated dry.

Bottle Wash Jets – Ensure a deep clean for tall items, narrow glasses, jars and more thanks to this dishwasher with bottle jets. 4 powerful jets direct water and detergent inside to effectively wash hard-to-reach areas.

1-Hour Wash Cycle – Unload spotless plates, glasses, pots and pans without waiting hours for the dishwasher to finish with this one-hour dishwasher cycle.

Steam + Sani or Wash Temp Boost – Choose higher wash temperatures with Wash Temp Boost to tackle tough soils, or use Steam + Sani to sanitize dishes and reduce 99.999% of bacteria.

Choose Your Cycle – Select from Heavy Wash, Normal Wash, Rinse or a 1-Hour Wash to handle everything from everyday dishes to tougher messes.

Piranha™ Hard Food Disposer – The Piranha™ Hard Food Disposer lets you use your dishwasher without prerinse. Its stainless steel impellers rotate to pulverize food particles and an anti-jamming design makes sure wash arms stay unclogged.

Quiet 51 dBA – Enjoy a peaceful kitchen and a powerful wash with this quiet 51 dBA dishwasher.

Reliable Performance – Enjoy trusted performance from a trusted brand with this American-made, dependable dishwasher that provides totally clean and dry dishes with every cycle.

ENERGY STAR® Dishwasher - This efficient, ENERGY STAR® dishwasher saves energy without sacrificing features or functionality

Extra-Large Capacity – This extra-large capacity dishwasher has enough space for 16 place settings and large dishware, making cleanup easy after large gatherings.

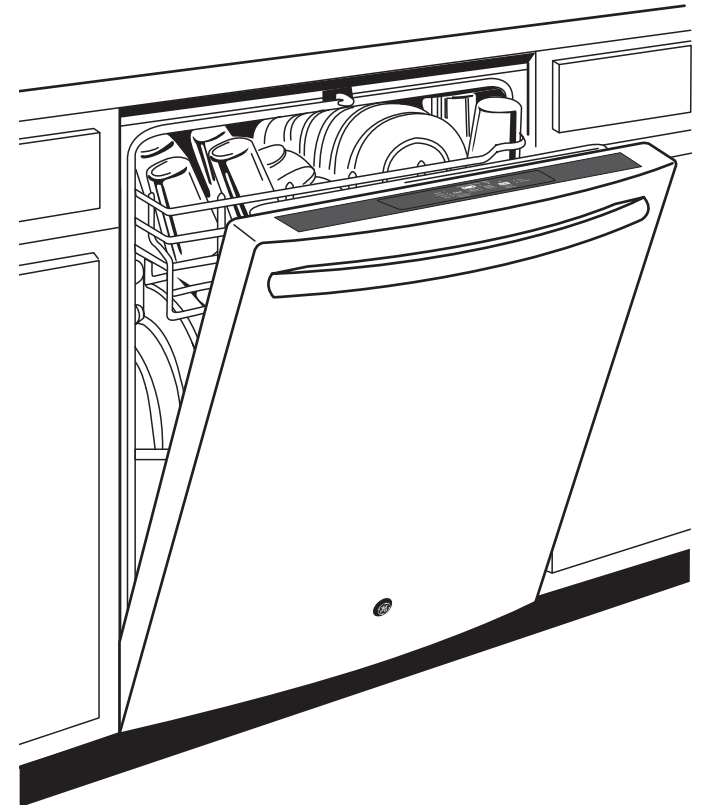
Adjustable Upper Rack – Lift or lower the adjustable top rack of the dishwasher to accommodate bottles, large platters or any items as tall as 10.5" thanks to flexible loading capabilities.

Active Flood Protect – This dishwasher features Active Flood Protect, which prevents potential overflows for greater peace of mind. It works by using a water leak detector to sense when water is too high, pumping it out until a safe level is reached.

Flush Installation – Cabinet-depth flush installation ensures your dishwasher blends in with the design of your kitchen without sacrificing space for dishes inside.

Top or Side Mount Installation Brackets – Easily mount the dishwasher under your countertop or to the side of your cabinets using installation brackets for any type of countertop

Built-Up Floor Capable – This dishwasher has adjustable heights, making it easy to install over built-up floors.



GE APPLIANCES