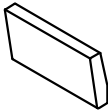
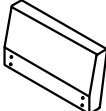
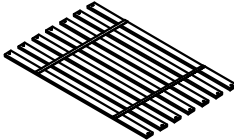


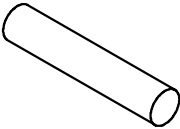


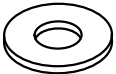
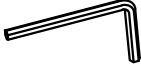

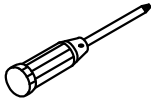
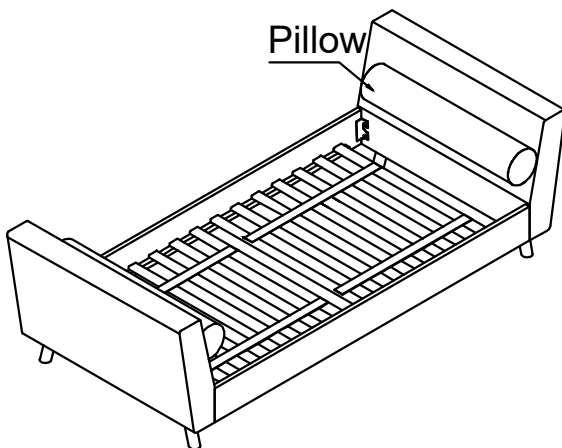


ASSEMBLY INSTRUCTION

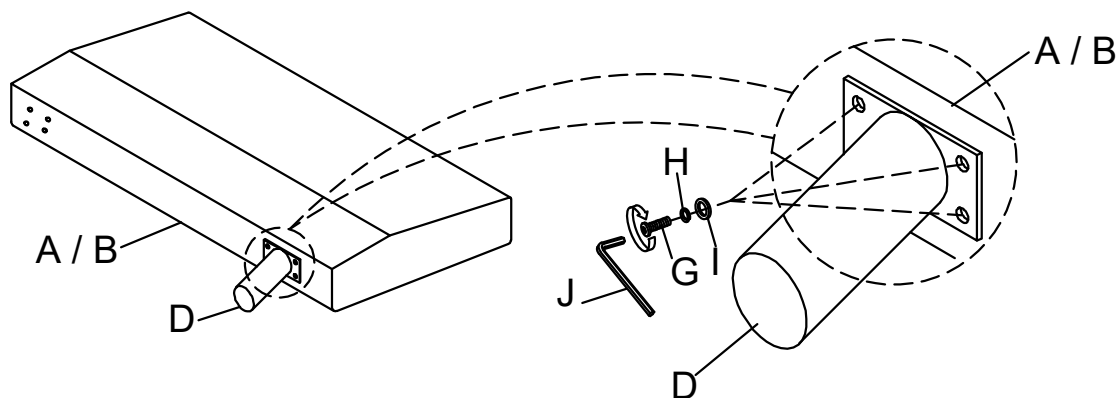
DAYBED

A Left Arm	B Right Arm	C Slats for Daybed	D Leg
			
1pc	1pc	2pcs	4pcs
E Front/Back Rail	F Pillow	G Bolt M8x30mm	H Lock Washer M8x13mm
			
2pcs	2pcs	24pcs	24pcs
I Flat Washer M8x19mm	J Allen Key M5	K Screw M4x30mm	L Screwdriver (Not Provided)
			
24pcs	1pc	28pcs	1pc

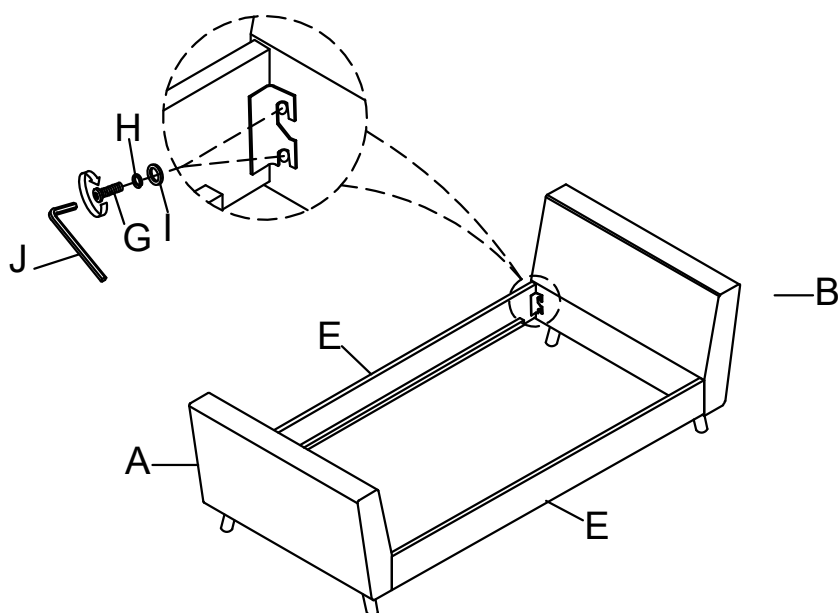


This page lists all the contents included in the box. Please take the time to identify the hardware as well as the individual components to this product. As you unpack and prepare for assembly, place the contents on a carpeted or padded area to protect them from damage.

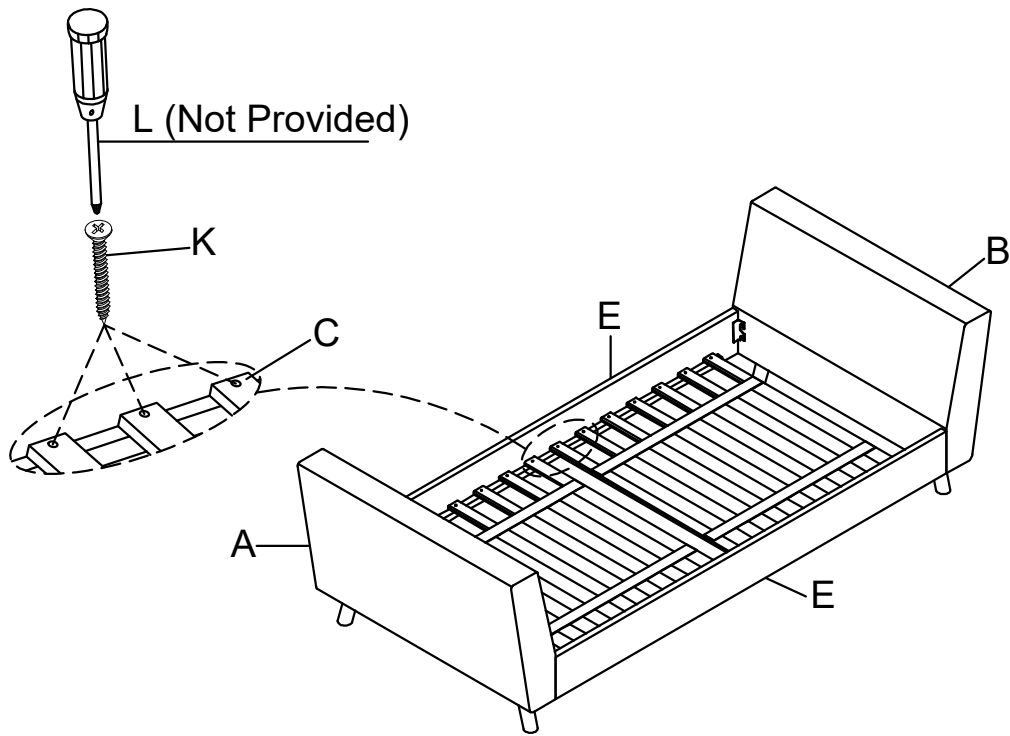
- 1** Attach Leg (D) to the Left Arm (A) & Right Arm (B) using Bolt (G), Lock Washer (H) and Flat Washer (I) by Allen Key (J).



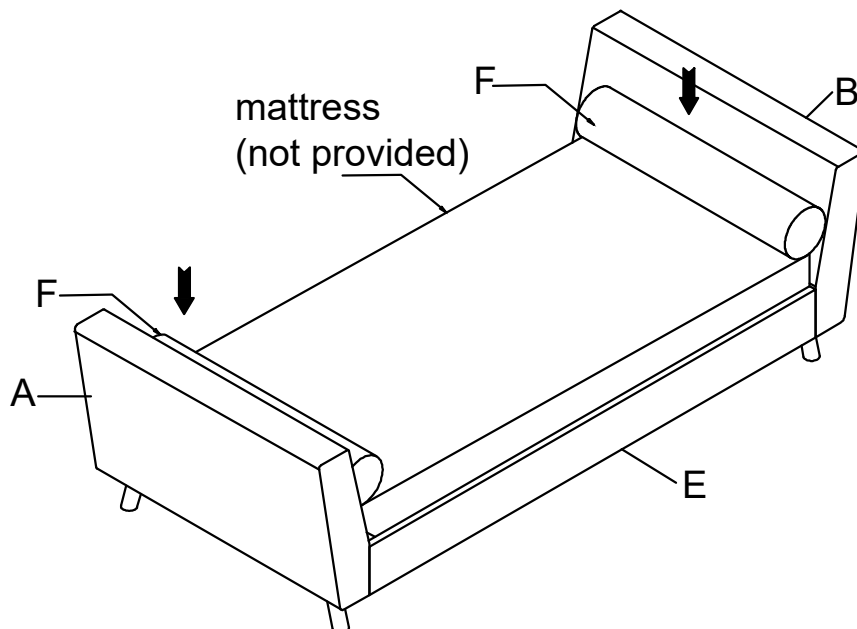
- 2** Attach Front/Back Rail (E) to the Left Arm (A) & Right Arm (B) using Bolt (G), Lock Washer (H) and Flat Washer (I) by Allen Key (J).



- 3** Attach Slats for Daybed (C) to uniform on the Front/Back Rail (E) using Screw (K) by tighten with Screwdriver (L).



- 4** Put the mattress (not provided) flat on the bed frame, then put the Pillow (F) on both ends of Mattress.



Cleaning & Care

Treat surface with care. Surface is resistant to scratches but is not scratch resistant. Clean surfaces with a dry or damp soft cloth. Do not use abrasive cleaners. Hardware may loosen over time. Periodically check that all connections are tight.