

HDF310PGR/MR

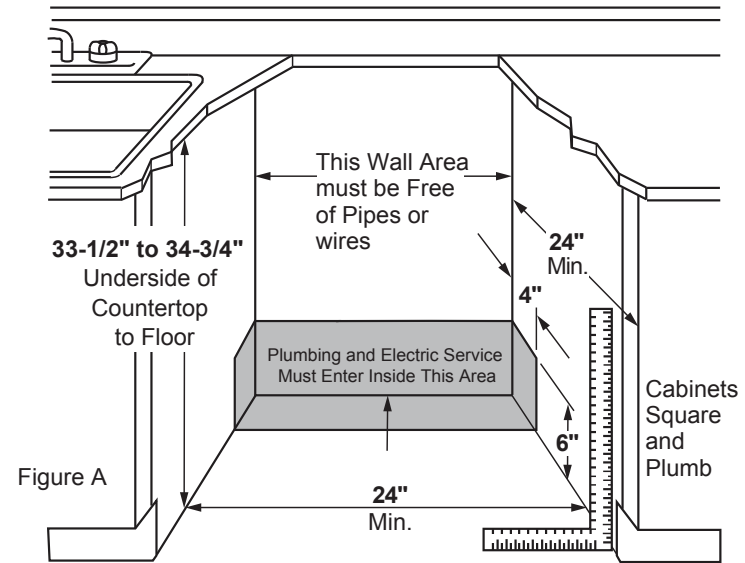
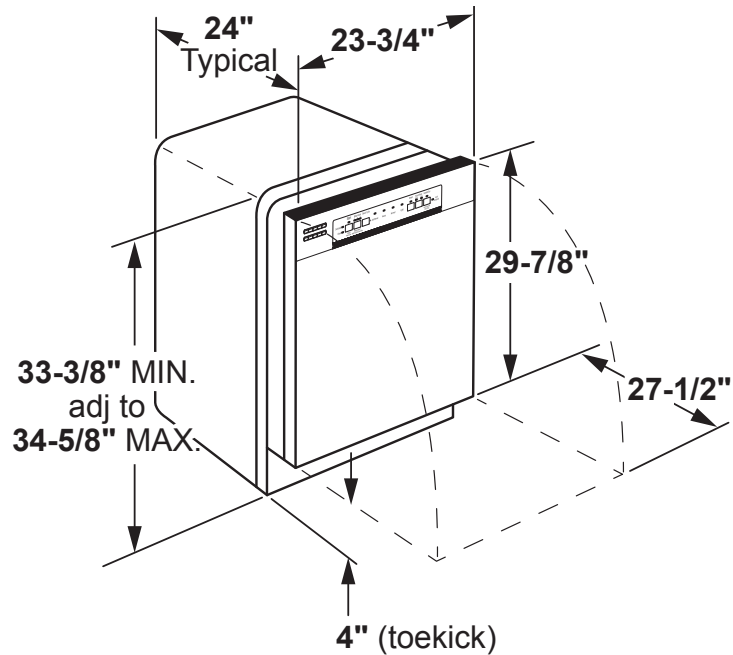
Hotpoint® One Button Dishwasher with Plastic Interior

DIMENSIONS AND INSTALLATION INFORMATION

ELECTRICAL RATING

Voltage AC.....	120
Hertz.....	60
Total connected load amperage.....	6.6
Calrod® heater watts.....	800/500

For use on adequately wired 120-volt, 15-amp circuit having 2-wire service with a separate ground wire. This appliance must be grounded for safe operation.



NOTE: Dishwasher must not be installed more than 10 feet from sink for proper drainage. All plumbing and electrical work must be in accordance with local codes. Dishwasher includes drain hose and leveling legs.

INSTALLATION INFORMATION: Before installing, consult installation instructions packed with product for current dimensional data.

Hotpoint®

For answers to your Hotpoint product questions, visit our website at hotpoint.com or call 800.626.2000.



Specification Revised 9/21

HDF310PGR/MR

Hotpoint® One Button Dishwasher with Plastic Interior

FEATURES AND BENEFITS

Durable finish – The tough surface stands up to everyday wear and tear, resisting fingerprints better than stainless steel.*

Reliable Performance – American made, this dishwasher is durable, long-lasting and dependable. Its consistent performance will give you totally clean and dry dishes with every cycle.

Water Leak Sensor – This dishwasher features Active Flood Protect, which prevents potential overflows for greater peace of mind. It works by using a water leak detector to sense when water is too high, pumping it out until a safe level is reached.

One Button Cycle – This easy-to-use dishwasher has a one button cycle, so there's never confusion about which cycle you're using.

Stylish design – The modern-looking metallic finish adds a contemporary feel to any kitchen.*

Completely Washed and Dry Dishes – This dishwasher has thorough wash and dry cycles, so you'll always unload clean and dry dishes.

Heavy-Duty/Everyday Wash Cycles – Activate a heavy-duty wash cycle for the dirtiest loads by pressing the wash button twice, or activate an everyday cycle for normal loads by pressing the wash button once.

Hard Food Disposer – The Piranha Hard Food Disposer lets you use your dishwasher without pre-rinsing. Its stainless steel impellers rotate at 3,600 RPM to pulverize food particles and an anti-jamming design make sure wash arms stay unclogged.

60 dBA Dishwasher – This quiet dishwasher provides a powerful clean without unwanted noise or disturbances. A status light on the door lets you know when it's running.

Durable Design – This low-maintenance dishwasher is easy to install and designed to last, so you can enjoy peace of mind.

Upper & Lower Racks – This dishwasher has a top rack and a bottom rack, so you can load dishes however you want.

Large Capacity – This large capacity dishwasher has enough space for 12 place settings and large dishware, making cleanup easy after large gatherings.

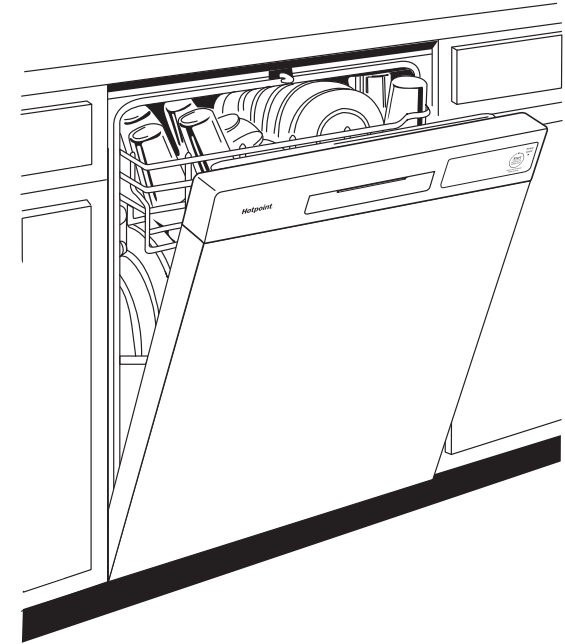
Silverware Basket – A removable silverware baskets makes it easy to load and unload utensils.

Sleek, Modern Look – The exterior appearance of this dishwasher looks great in any kitchen.

Flush Installation – Cabinet-depth flush installation ensures your dishwasher blends in with the design of your kitchen without sacrificing space for dishes inside.

Top or Side Mount Installation Brackets – Easily mount the dishwasher under your countertop or to the side of your cabinets using installation brackets for any type of countertop.

Built-Up Floor Capable – This dishwasher has adjustable heights, making it easy to install over built-up floors.



Model HDF310PGRWW – White on white

Model HDF310PGRBB – Black on black

Model HDF310PMRSH – PRO-Steel

Hotpoint®

*Applicable to PRO Steel models.

Specification Revised 9/21