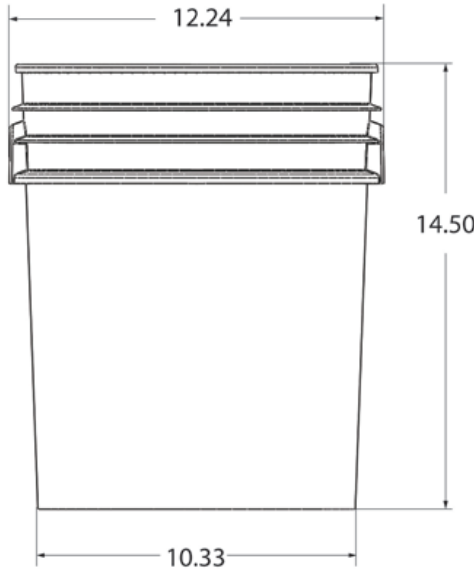


# 5 Gallon Round UN Container

**Features**

- UN Package for Solid hazardous materials when used with 5LTBU lid
- UN Package for Liquid hazardous materials when used with 5LUND lid
- Universal container base for UN and non-UN applications
- Reinforcing ribs maintain container shape
- Heat transfer decoration and 6 color offset print capability
- Accepts plastic or metal handle



**PRODUCT CODE**.....5DMU (TU5G90DMUNS)

**COMPATIBLE LIDS**.....5LTB, 5LTBU & 5LUND

**SPECIFICATIONS**

Height.....14.50"  
 Outer Diameter.....12.24"  
 Thickness.....90 mil  
 Print Area.....31" x 8.25"  
 Resin.....HDPE

**VOLUME**

Practical Fill w/ 5LTBU or 5LTB.....5.30 gal. / 20.06 liters  
 Practical Fill w/ 5LUND.....5.00 gal. / 18.93 liters

**PACKAGING**

Pack Count.....120  
 Pack Dimensions.....48.9" x 36.6" x 49.6"  
 Cubic Feet.....51.3  
 Packs per Pallet.....2

**DISCLAIMER**

This specification does not relieve the customer of their ultimate responsibility for the determination of the appropriate container. It is the customer's responsibility to select the appropriate packaging based upon all information at their disposal including the specific application, regulatory compliance, product compatibility and shipping requirements. WE HEREBY DISCLAIM AND EXCLUDE ANY EXPRESS OR IMPLIED WARRANTIES, INCLUDING WITHOUT LIMITATION THE IMPLIED WARRANTIES OF MERCHANTABILITY AND FITNESS FOR A PARTICULAR PURPOSE.

DISTRIBUTED BY:



REF NO.:

DWG-Q1541

DESCRIPTION:

5 Gal Round UN Container