



## ORIGINAL VAXCEL CEILING FAN LIMITED LIFETIME WARRANTY\*

*\*for full limited lifetime warranty details please see final page of these instructions.*

Model No.: F0130

### Safety Instructions

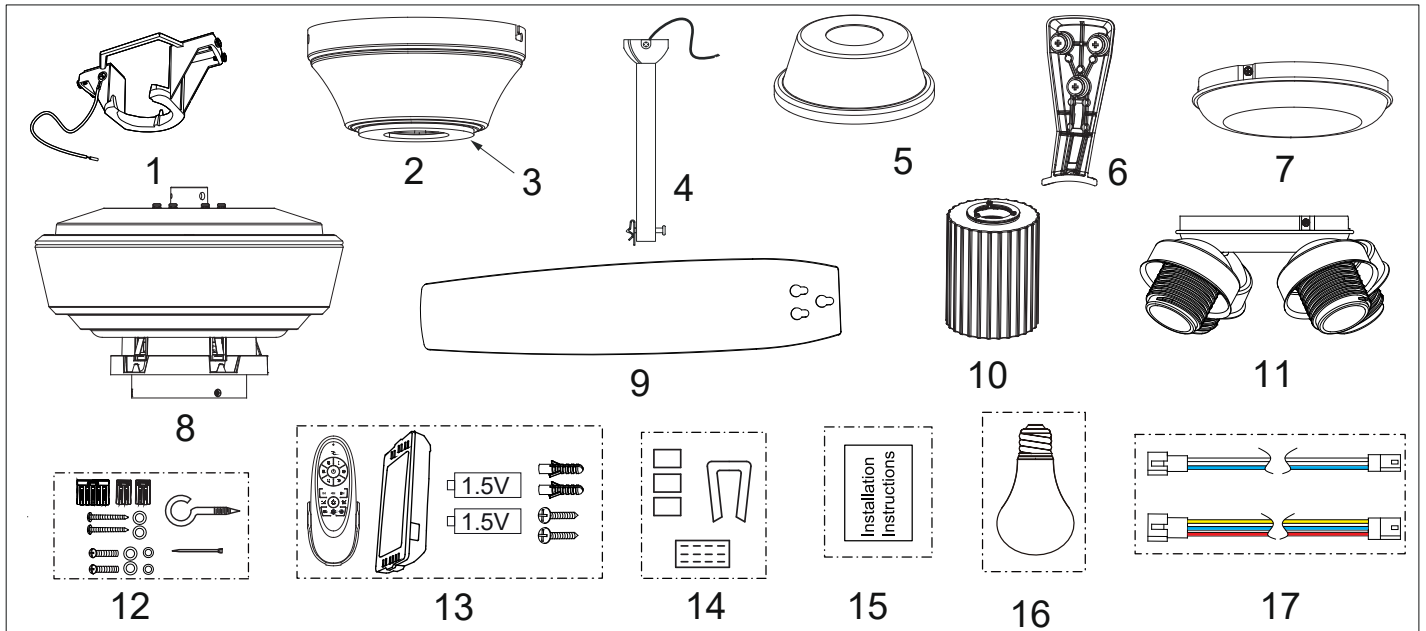
READ ALL SAFETY INFORMATION AND INSTALLATION INSTRUCTIONS BEFORE YOU BEGIN TO INSTALL THE FAN AND SAVE INSTRUCTIONS.

- All set screws of the fan must be checked and retightened where necessary before installation.
- To reduce the risk of personal injury, do not bend the blade brackets when installing the brackets, balancing the blades or cleaning the fan. Do not insert foreign objects between rotating fan blades.
- Before changing the fan direction, turn off the fan and wait for the fan blades to stop completely.
- The safeguards provided by these safety instructions and by the separate installation instructions are not meant to cover all possible conditions and situations that may occur. It must be understood that common sense, caution and care are factors which can not be built into this product.
- These factors must be supplied by the person(s) installing, caring for and operating the fan.

#### **WARNING**

- TO AVOID RISK OF ELECTRIC SHOCK, BE SURE TO SHUT OFF POWER AT THE MAIN FUSE OR CIRCUIT BREAKER BOX BEFORE INSTALLING OR SERVICING THIS FIXTURE. TURNING OFF THE ELECTRICAL POWER BY USING THE LIGHT SWITCH IS NOT SUFFICIENT TO PREVENT ELECTRICAL SHOCK.
- TO REDUCE THE RISK OF INJURY, INSTALL THE FAN SO THAT THE BLADES ARE AT LEAST 7 FEET (2.1 METERS) ABOVE THE FLOOR AND AT LEAST 18 INCHES (0.5 METERS) FROM THE TIP OF THE BLADES TO THE WALL.
- TO REDUCE THE RISK OF FIRE, ELECTRIC SHOCK, OR PERSONAL INJURY, MOUNT TO OUTLET BOX MARKED "ACCEPTABLE FOR FAN SUPPORT" AND USE MOUNTING SCREWS PROVIDED WITH THE OUTLET BOX.
- THE INSTALLATION HAS TO BE IN ACCORDANCE WITH THE NATIONAL ELECTRICAL CODE, ANSI/NFPA 70-1999 AND LOCAL CODES. IF YOU ARE UNFAMILIAR WITH THE METHODS OF INSTALLING ELECTRICAL WIRING, SEEK THE SERVICES OF A QUALIFIED LICENSED ELECTRICIAN.

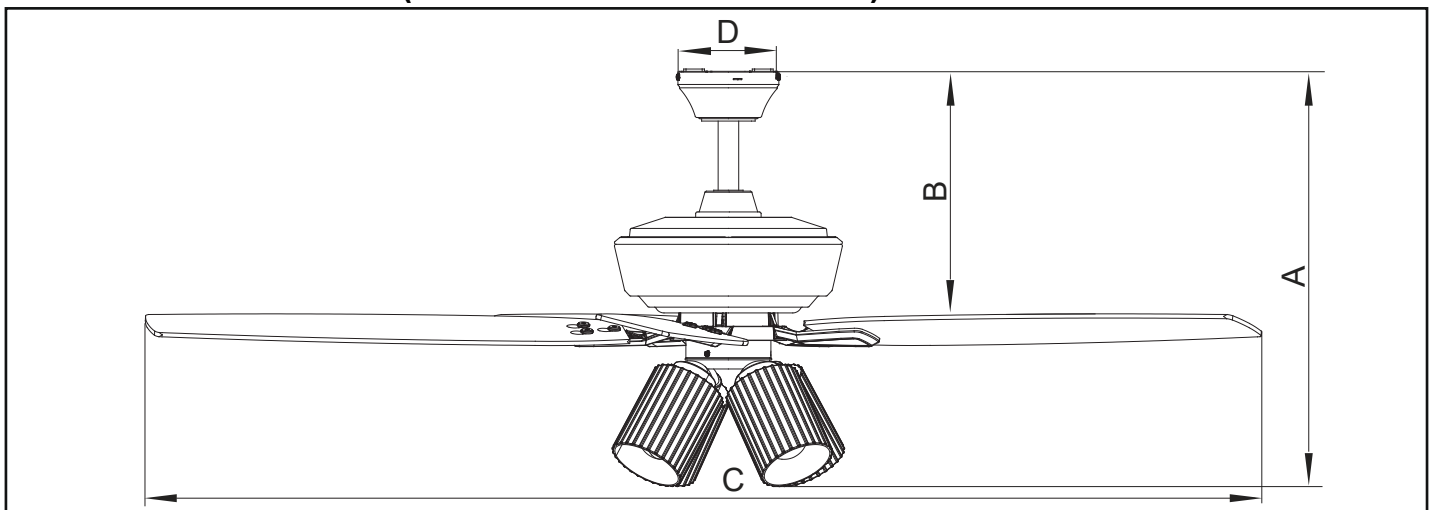
## Package Contents:



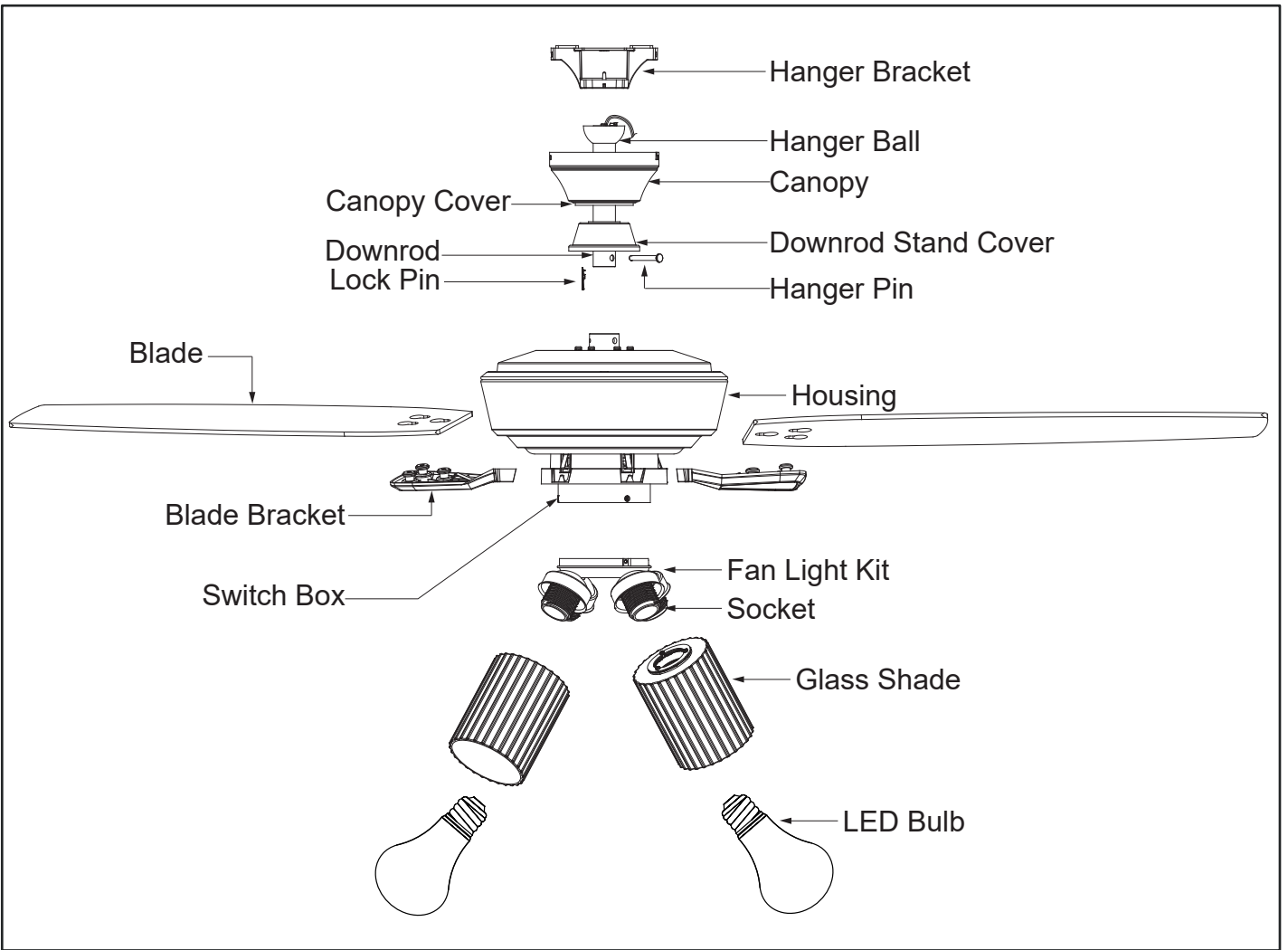
Unpack your fan and check the contents. You should have the following items.

- 1.) Hanger Bracket
- 2.) Canopy
- 3.) Canopy Cover (Remove the Preassembled Canopy Cover from the Canopy Before Installation.)
- 4.) Downrod Set (Included Hanger Ball, 6" Downrod, Hanger Pin & Lock Pin)
- 5.) Downrod Stand Cover
- 6.) Blade Bracket (5 PCS)
- 7.) Switch Box Cover
- 8.) Fan Motor Assembly
- 9.) Blades (5 PCS)
- 10.) Glass Shade (4 PCS)
- 11.) Fan Light Kit
- 12.) Assembly Kit
- 13.) Remote Control Set (Included Receiver & Transmitter & Batteries & Screws)
- 14.) Blade Balancing Kit
- 15.) Installation Instructions
- 16.) 8W E26 (M) Base A19 Type LED Bulb (4 PCS)
- 17.) Lead Wires

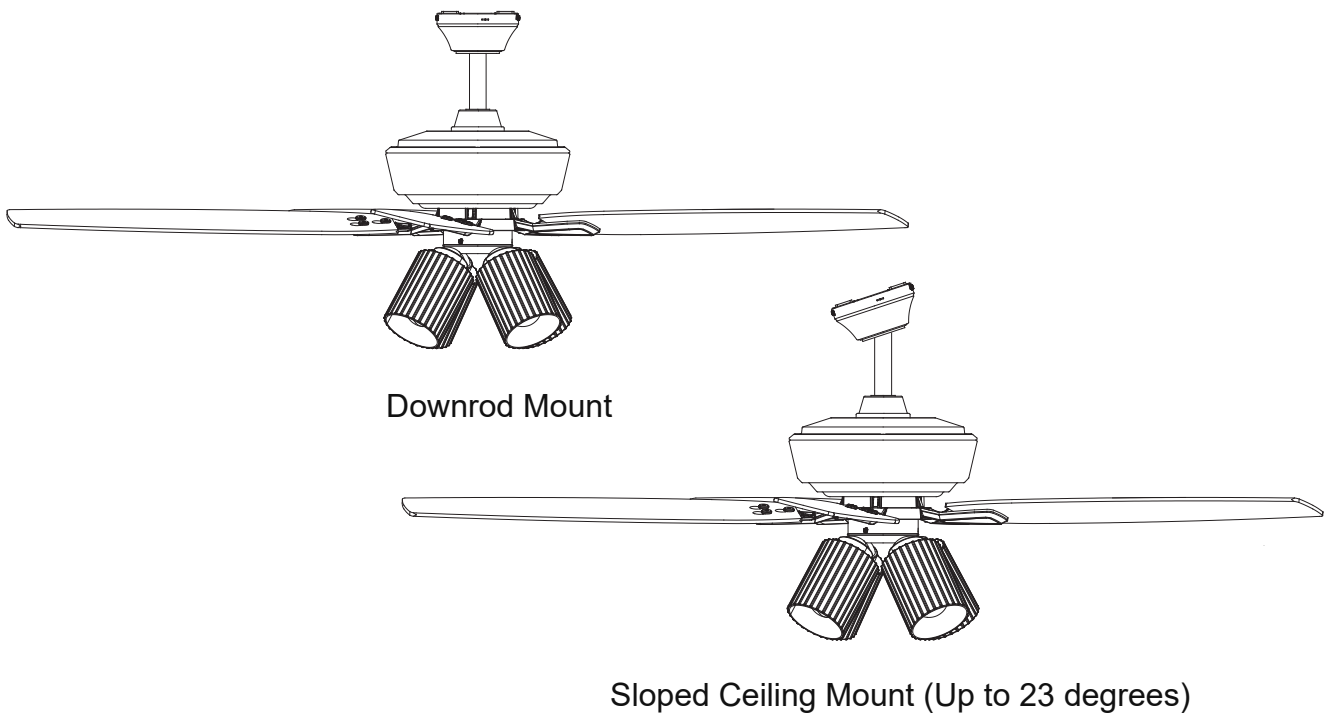
### Dimension Reference (Installed with 6" Downrod)



A. 21"    B. 13"    C. 60"    D. 5"



### Dual Mount Drawing



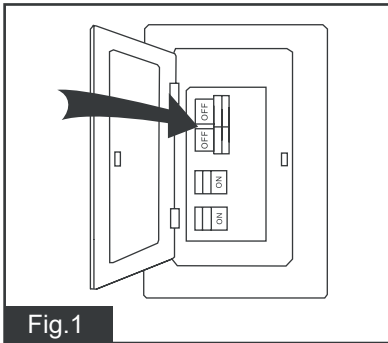
# INSTALLATION INSTRUCTIONS

## IMPORTANT:

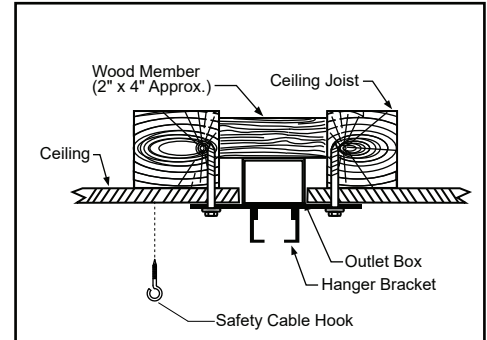
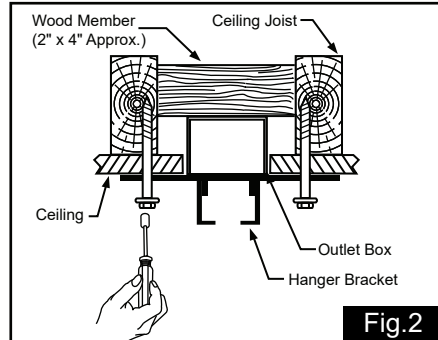
- BEFORE YOU BEGIN INSTALLING THE FAN, CAREFULLY READ ALL INFORMATION IN THE SEPARATE SHEET "SAFETY INSTRUCTIONS" AS WELL AS THE FOLLOWING "INSTALLATION INSTRUCTIONS". IF IN DOUBT, CONSULT A QUALIFIED ELECTRICIAN.
- SAVE ALL INSTRUCTIONS.

NOTE: The fan weight is 20.06 lbs (9.1 kg). Be sure the outlet box you are using is securely attached to the building structure and can support the full weight of the fan. Failing to do so can result in serious injury.

## Installation Steps :

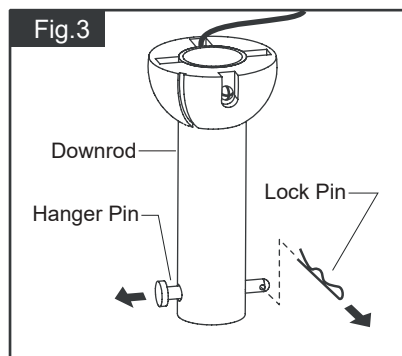


Turn OFF the electric circuit at the main fuse or circuit breaker box.

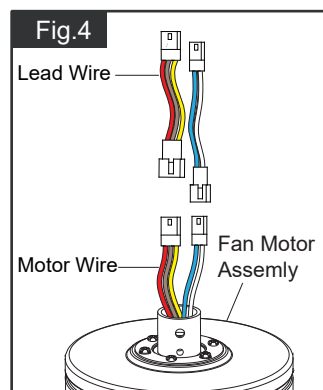


Tighten the hanger bracket to the outlet box with two mounting screws and washers. **(Make sure the outlet box is securely installed so that it will be able to support the fan weight.)** Attach the safety cable hook to the ceiling, and make sure the safety cable hook is covered by the fan canopy.

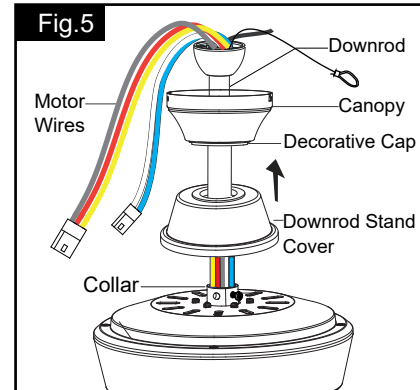
**WARNING: MOUNT ONLY TO AN OUTLET BOX MARKED "ACCEPTABLE FOR FAN SUPPORT"!**



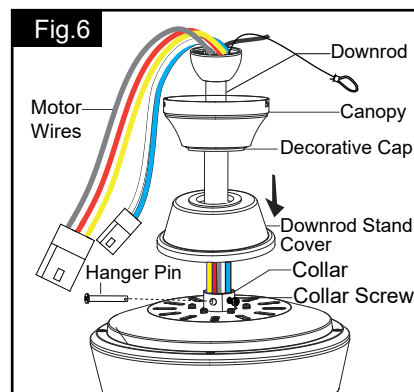
Remove the lock pin from hanger pin and remove the hanger pin from the downrod.



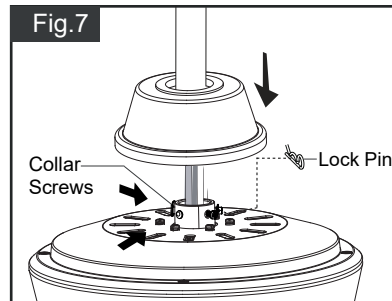
Please connect the lead wires when using over 6" downrod.



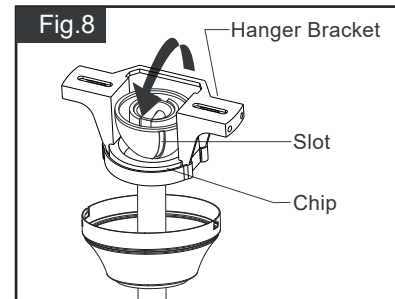
Thread the motor wires through the downrod stand cover, decorative cap (Making sure the smooth side of decorative cap is facing downward.), canopy and downrod.



Loosen the collar screws out part way. Insert the downrod into the collar. Slide hanger pin through holes of collar and downrod.



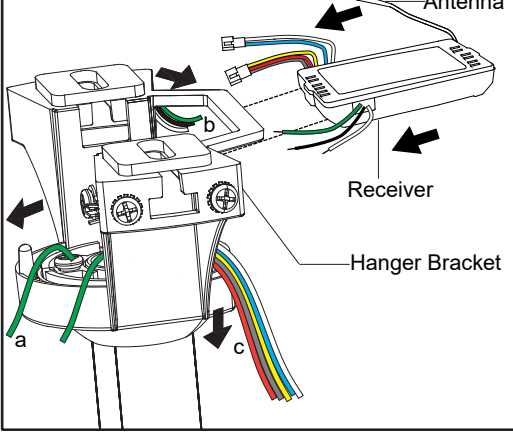
Tighten the two collar screws. Slide lock pin into hanger pin until it is locked into position.



Hang the fan on hanger bracket, and make sure the slot of hanger ball is snapped into the chip of hanger bracket exactly.

**Note: For sloped ceiling installation, make sure the slot of hanger ball and the chip of hanger bracket face down.**

Fig.9



Move ground wires (a), outlet box wires (b), and motor wires (c) away from the center of the hanger bracket as shown. Thread the antenna through the hanger bracket first, then thread the receiver through the hanger bracket until it is placed in the center.

**Note: Quick install feature: captured blade arms to motor slots and clips; turn-buckle blades; lever wire connectors and twist-to-lock shades on the light kit. Ensure quick and simple ceiling fan installation.**

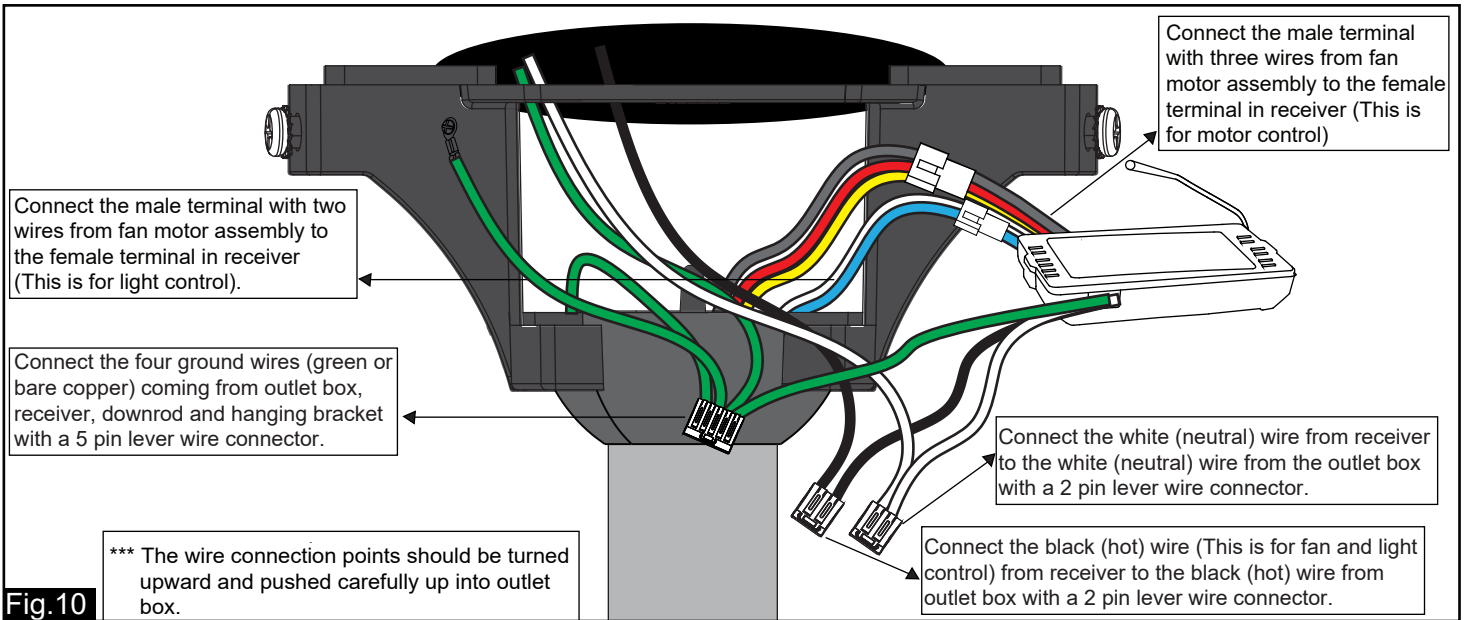


Fig.10

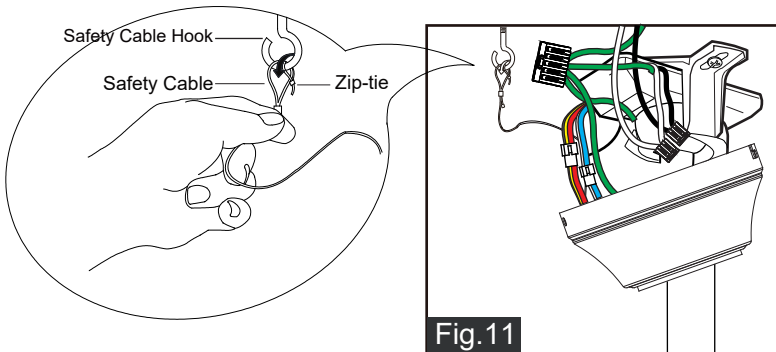
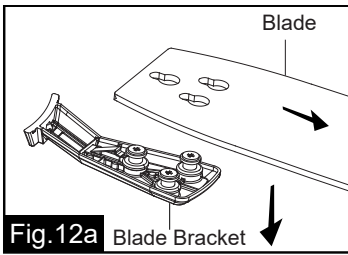
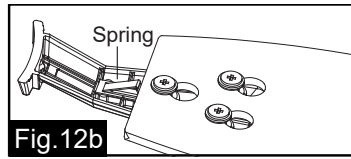


Fig.11

Hang the safety cable into the safety cable hook, tighten the safety cable to the safety cable hook by using the zip-tie.



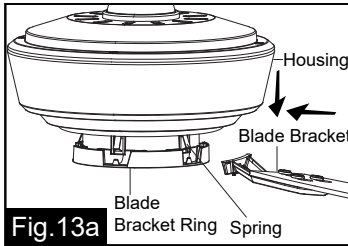
Before install



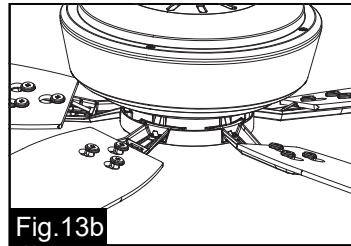
After install

**Attach the blades to the blade brackets.**

- Mount the fan blades to the blade brackets by aligning the three key-slot holes in the blade with the three posts on the top of the blade bracket.
- Hold the blade close to the blade bracket and press the blade down firmly. Ensure key-slot holes are properly seated on the blade bracket posts.
- While still holding the blade down, firmly slide the blade away from the bracket side until the blade engages in the locking mechanism. Make sure the locking mechanism at the rear of the blade bracket springs upward and butts against the edge of the blade indicating a secure connection.
- Repeat for the remaining blades.



Before install

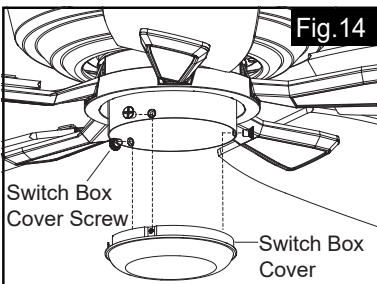


After install

**Fasten the blade brackets to the motor.**

Align and engage the blade bracket to the metal spring of fan-motor assembly and then insert the blade bracket into the slot of the blade bracket ring until the blade engages in the locking mechanism. Make sure the locking mechanism at the bottom side of the motor springs upward and butts against the edge of the blade bracket indicating a secure connection. Repeat this step for the remaining blade brackets assemblies.

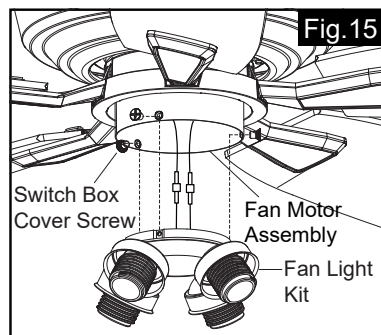
**Install without fan light**



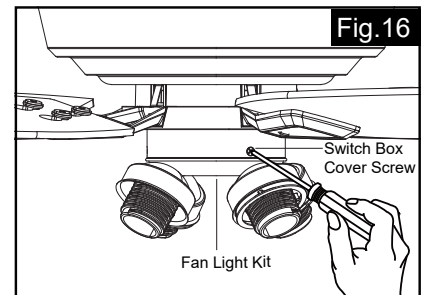
Unscrew the three switch box cover screws from the switch box cover. Secure the switch box cover into switch box with the switch box cover screws.

**To install the fan light, skip this step and proceed to Fig.15.**

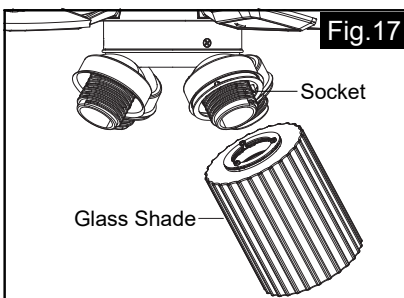
**Install fan light**



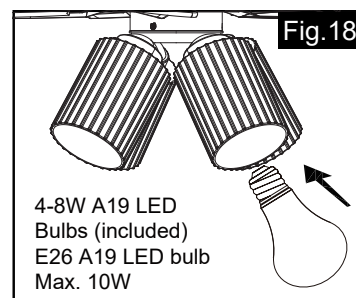
Unscrew the three switch box cover screws from the fan light kit, then connect the white (neutral) wire from the fan motor assembly to white (neutral) wire from fan light kit with a pin connector, connect the blue (hot) wire from fan light to the blue (hot) wire from fan motor assembly with a pin connector.



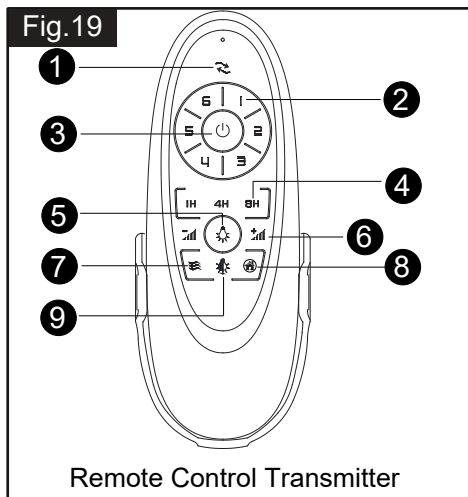
Install the fan light kit onto the switch box with the three switch box cover screws attached to the fan light kit.



Attach the glass shade onto the socket, then rotate it clockwise carefully until it is locked in place. Repeat for the remaining glass shades.



Install LED bulbs (included). See relamping label at socket area or packaging for maximum wattage allowed.



**Remote control**

Install two 1.5 volt batteries (type AAA, included) into the remote control. The remote buttons function as below,

1. "↶" Reverse button:  
Press this button to control fan direction.  
Please wait, as the reverse function takes time to adjust.
2. Fan speed:  
1 = minimum speed      2 = low speed  
3 = medium low speed    4 = medium speed  
5 = medium high speed   6 = high speed
3. "⏻" Button:  
Press this button to turn the fan off.
4. Timer Control:  
Press the "1H", "4H" or "8H" timer button to turn off the fan and light for the selected duration.  
Press fan off button to stop the fan speed timer control. The fan will also turn off.  
Press light off button to stop the lighting timer control. The light will also turn off.  
Turn OFF the electric circuit at the main fuse or circuit breaker box to stop timer control.
5. "💡" Light On button:  
Press this button quickly to turn on the light.
6. Dimmer Function  
Press and hold the "⬆️" button to increase light to the desired level.  
Press and hold the "⬆️" button to decrease light to the desired level.
7. "≈" Breeze button:  
Press the breeze button to cycle the fan speed. The fan will cycle through all 6 speeds in 20 seconds. If the fan is off the cycle will start at minimum "1" speed and increase until high speed "6" is reached, then cycle slowly back down to minimum speed "1". Again, then repeat. If the fan is on then the breeze cycle will start at that speed. To stop this function press any other fan speed or fan off button.
8. "🏠" Vacation mode button:  
Press the vacation mode button to turn on the light for 5 minutes every 2 hours. Any other button will turn off this function.
9. "💡" Light Off button.  
Press this button quickly to turn off the light.

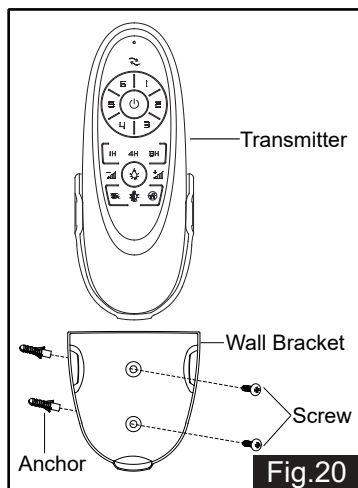
**Note:**

1. This remote control has a memory function setting. The fan will operate at the same speed and the fan light will stay at the same brightness-level as the last time the power supply was turned off.
2. Compatible with on/off function wall switch only.

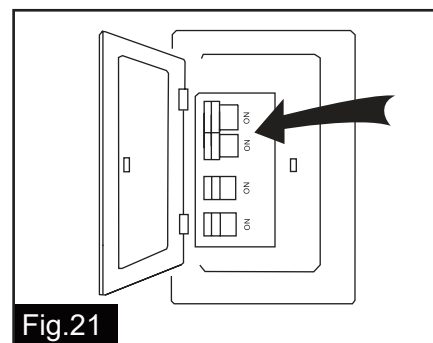
**Set the code:**

Within the 10 second time frame after the main power is turned on, press and hold FAN OFF button for more than 3 seconds, you will hear the indicator sound of swoosh from the receiver. Once the code is set successfully, the fan will turn off and the light will turn on.

**Note:** The included transmitter was paired with the receiver at the factory with default settings, so no need to set the code again. Go through these setup steps if you found your transmitter can't communicate with the receiver.



Install the transmitter wall bracket on the wall with two anchors and two screws and place transmitter in it carefully.



Turn ON the electric power at the main fuse or circuit breaker box.

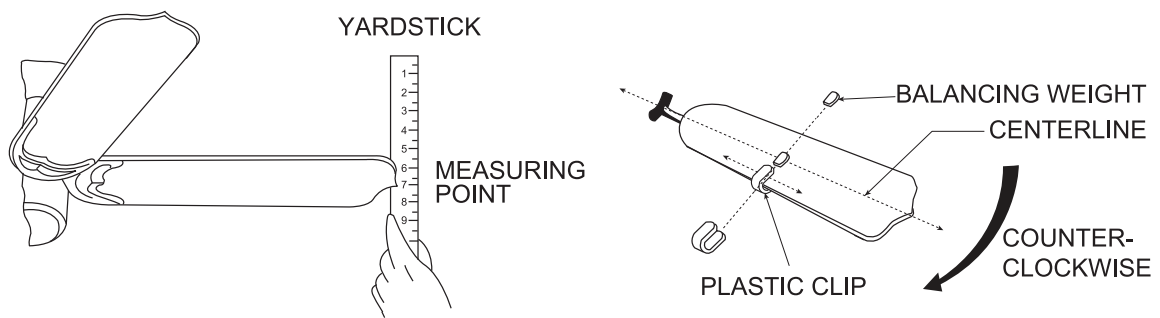
## Troubleshooting Guide

If you have difficulty operating your new ceiling fan, it may be the result of incorrect assembly, installation or wiring. In some cases, these installation errors may be mistaken for defects. If you experience any faults, please check this Troubleshooting Guide. If a problem cannot be remedied or you are experiencing difficulty in installation, please call our Customer Service Department (1-800-482-9235).

PROBLEM	SUGGESTED REMEDY
1. If fan does not start:	<ol style="list-style-type: none"><li>1. Check main and branch circuit fuses or circuit breakers.</li><li>2. Make sure forward/reverse switch is firmly in bottom or top position. Fan will not operate when switch is in the middle.</li><li>3. Make sure that the wall control is turned "ON".</li><li>4. Check line wire connections to fan and switch wire connections in switch box.</li></ol> <p><b>CAUTION: Make sure main power is turned off.</b></p>
2. If fan sounds noisy:	<ol style="list-style-type: none"><li>1. Make sure all screws in motor housing are snug. (not too tight)</li><li>2. Make sure the screws which attach the fan blade bracket to the motor are tight.</li><li>3. Make sure wire connectors in switch box are not rattling against each other or against the interior wall of the switch box.</li></ol> <p><b>CAUTION: Make sure main power is turned off before entering switch box.</b></p> <ol style="list-style-type: none"><li>4. If using an optional ceiling fan light kit, make sure the screws securing the glassware are finger tight. Make sure light bulb is tight in socket and not touching glass shade(s). If vibration persists from glass, remove glass and install a 1/4 in. wide rubber band on glass neck to act as an insulator. Replace glass and tighten screws against rubber band.</li><li>5. Some fan motors are sensitive to signals from Solid State variable speed controls. DO NOT USE a Solid State variable speed control.</li><li>6. Allow "break-in" period of 24 hours. Most noises associated with a new fan will disappear after this period.</li></ol>
3. If fan wobbles:	<p>All blades are weighed and grouped by weight. Natural woods vary in density which could cause the fan to wobble even though all blades are weight-matched. The following procedures should eliminate most of the wobble. Check for wobble after each step.</p> <ol style="list-style-type: none"><li>1. Check that all blades are screwed firmly into blade brackets.</li><li>2. Check that all blade brackets are tightened securely to motor.</li><li>3. Make sure that canopy and mounting plate are tightened securely to ceiling junction box and junction box is mounted firmly to ceiling joist.</li><li>4. Most wobble problems of fan are caused when blades are not in equal level. To check the blade levels, select a point on the ceiling above the tip of any blade. Measure the distance from the ceiling to the blade tip, to an accuracy of 1/8 inch. Rotate the blades until the next blade is in the measuring position. Repeat measurement for each blade. If all blade levels are not equal, you can adjust blade levels by the following procedure. To adjust a blade tip down, insert a washer (not supplied) between the blade and blade bracket at the screw closest to the motor. To adjust a blade tip up, insert washer (not supplied) between the blade and blade bracket at the two screws farthest from the motor.</li><li>5. Interchanging two adjacent blades could redistribute the weight and possibly result in smoother operation.</li></ol>
4. If light does not work:	<ol style="list-style-type: none"><li>1. Check blue wire from fan to make sure it is connected to hot wire from supply wire coming out of the ceiling.</li><li>2. Check for loose or disconnected wires in fan switch box.</li><li>3. Check for loose or disconnected wires in light kit.</li><li>4. Check for faulty light bulbs.</li></ol> <p><b>CAUTION: Make sure main circuit is turned off before entering switch box.</b></p>



# DYNAMIC BLADE BALANCING KIT



## PREFACE

Your ceiling fan may sometimes have wobbling problems when operating due to irregularity in the blades or the blade brackets. Improper assembly in the mounting system may cause some additional problems. This balancing kit can be used to fix wobbling problems.

## DYNAMIC BLADE BALANCING KIT FOR CEILING FANS

1. Make sure that all blades are firmly screwed into the blade brackets.
2. Make sure that all blade brackets are firmly secured to the motor housing.
3. By looking up at the fan from below, check and be certain that none of the blade brackets are bent and that none of the blades are out of position.
4. Use a yardstick to check the blade tracking. Put the yardstick up against the ceiling vertically and against the outside leading edge of a blade. Note the distance of the edge of blade to the ceiling. Carefully turn the blades slowly by hand to check the remaining blades. All distances should be the same.

Operate the fan ten minutes. After following all the steps and if the wobbling problem is not solved, a dynamic balancing needs to be done with balancing kit. Follow the procedure listed below:

- Turn the fan off. Select one blade and place the plastic clip on it, with the plastic clip located halfway between the blade bracket and the blade tip on the edge of the blade.  
**Caution: The plastic clip should be placed on the windward edge of the blade for fear of clip flying off.**
- Turn the fan on (set the speed that causes the wobble most). Observe if the wobble is better or worse. Turn the fan off and move the clip to the next blade. Do the same for all blades and note on which blade the clip reduces the wobble most. Place the clip on the blade which showed the most improvement. Move the clip inward and outward on this blade and operate the fan to find the position where the clip gives the most improvement.  
**Caution: Stay clear of the blades. If the clip, for any reason, is not secure, injury could result.**
- Once the exact position is determined, place a weight on the top of the blade, on its centerline and as close as possible to the clip. Peel the paper off of the back of the weight and press firmly to ensure that it is securely attached to the blade. Remove the clip.  
**Caution: Clean the surface of fan blade before placing the balancing weight so that the balancing weight will be firmly attached to it.**

# ORIGINAL VAXCEL CEILING FAN LIMITED LIFETIME WARRANTY\*

The limited lifetime warranty covers this fan, for residential use by the original purchaser, against defects in material or workmanship as follows:

If your fan motor fails at any time during the lifetime of the original purchaser due to defects in material or workmanship, we will provide a replacement part free of charge.

If your fan motor fails at any time within one year after the original date of sale to the original purchaser due to defects in material or workmanship, we will provide labor to repair the defect, with the exception of take down/reinstallation, free of charge. The original purchaser will be responsible for all labor costs after this one year period.

If no replacement parts are provided for any part of your fan motor that fails at any time during your lifetime due to defects in material or workmanship, we will refund the original purchase price of your fan.

If your fan blades, or any accessory, except glass globes and light bulbs, fails at any time within one year after the original date of purchase due to a defect in material and workmanship, we will repair or replace the defective blades, switch, or accessory free of charge, with the exception of take down/reinstallation services.

If your fan includes any integrated LED modules, the LED functionality is covered by a 5-year warranty.

If the original purchaser ceases to own the fan, this warranty and any implied warranty, including but not limited to any implied warranty of merchantability or fitness for a particular purpose, become void. This warranty and any implied warranty, including but not limited to any implied warranty of merchantability or fitness for a particular purpose, does not cover glass globes, light bulbs, or finish on any metal portions of the fan.

This warranty is in lieu of express warranties. The duration of any implied warranty of merchantability or fitness for a particular purpose, with respect to any fan motor, blades, switch, or accessories, is expressly limited to the period of the express warranty set forth above for such motor, LED modules, blades, switch, or accessories.

This warranty excludes defects, malfunctions, or failures of any fan that are caused by repairs by persons not authorized by us, use of parts or accessories not authorized by us, mishandling, improper installation, modifications or damage to the fan while in your possession, or unreasonable use, including failure to provide necessary maintenance. This warranty does not include the failure of products from extreme acts of nature; environmental conditions not suited for the products intended use; operation in temperatures outside of the range specified in the instruction manual; usage with improper power supply, power surges or dips. For coastal locations, some corrosion is considered normal for the environment.

In no event shall VAXCEL be liable for consequential or incidental damages.

Some states do not allow the exclusion or limitation of consequential or incidental damages, in which case the above limitation or exclusion may not apply. This warranty gives you specific legal rights and you may also have other rights which vary from state to state.

Vaxcel reserves the right to repair, replace or issue a credit for any properly installed product, provided it is returned per RMA instruction. This warranty is limited to the cost of the product only and does not extend to transportation, installation or replacement costs.

How can warranty service be obtained for your ceiling fan?

[info@vaxcel.com](mailto:info@vaxcel.com)

1-800-482-9235