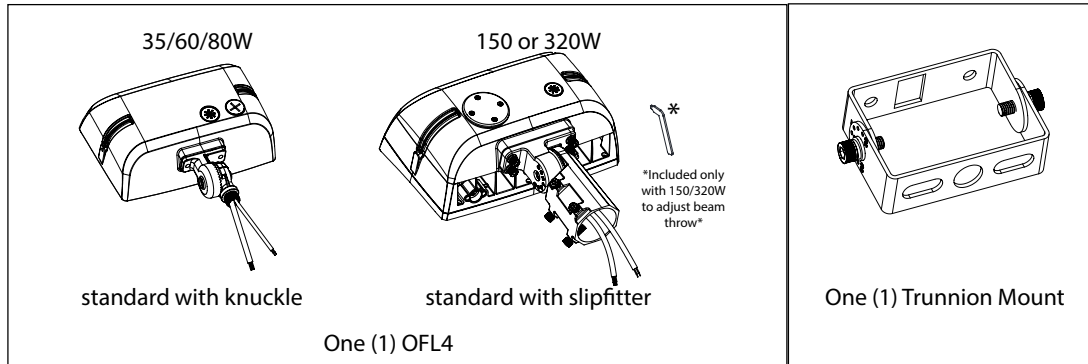




WARNING:

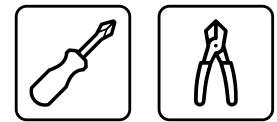
- Do not use an electric generator to test the LED light
- Abide by related country, regional, and local law and regulations when installing this fixture.
- Please turn off the power before installation or maintenance.
- Proper earth grounding is required to ensure safety.
- To avoid possibility of electric shock or fire, the installation personnel must have professional electric knowledge.
- Please wear gloves to avoid injury before installation.
- If any smoke or spark of the wire happen, turn off the power immediately and notify relevant personnel.
- Please check if there is any damage during shipping. If so, please contact the manufacturer promptly.
- Please read the installation instruction carefully to check whether all the accessories are complete. After confirmation, install the fixture according to the guide.
- Operating temperature: -40F° to 122F° (-40°C to 50°C)

What's In The Box



Tools Needed

A screwdriver and a pair of wire strippers will be needed for installation.

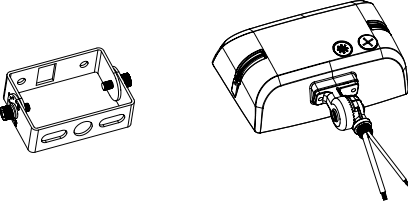
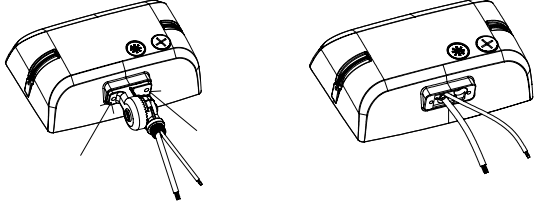
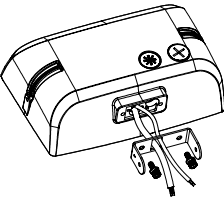
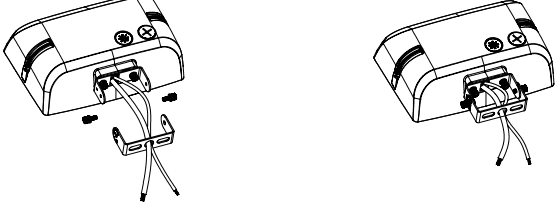
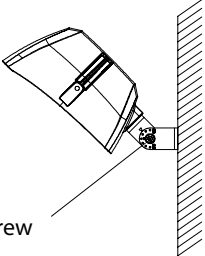
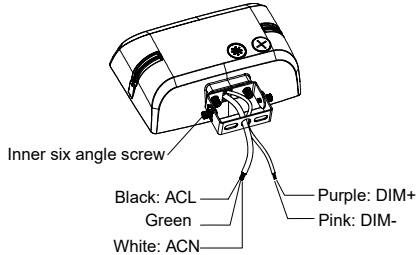


! Make sure all power is turned off before beginning installation

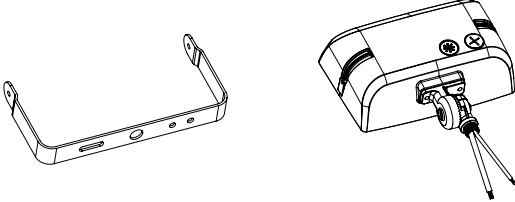
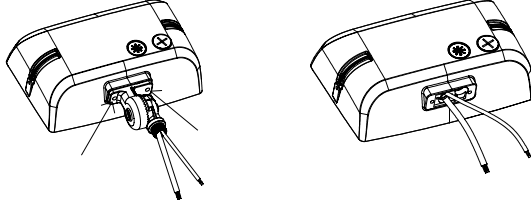
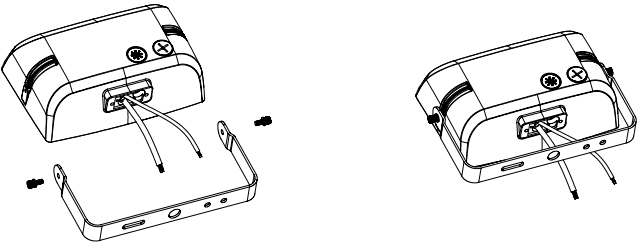
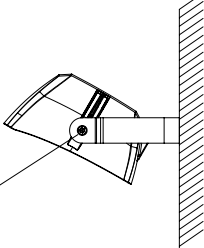
35/60/80W Installation

<p>1 Carefully unpack fixture and inspect for any damage caused in shipping.</p>	<p>2 Install into pole or mounting surface.</p>
<p>3 To adjust head angle, loosen allen screw on side of knuckle, adjust, and retighten in desired position.</p> <p>Allen Screw</p>	<p>4 Connect wires according to diagram.</p> <p>Black: ACL Green: Ground White: ACN Purple: DIM+ Pink: DIM-</p>

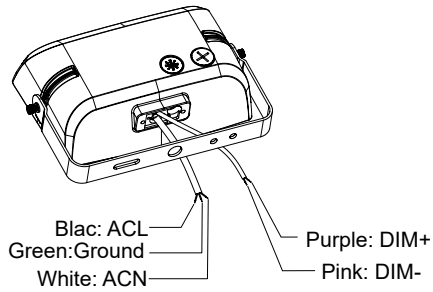
Trunnion Installation (35/60/80W)

<p>1 Carefully unpack fixture and inspect for any damage caused in shipping.</p> 	<p>2 Remove knuckle by unscrewing the two screws at base of fixture.</p> 
<p>3 Align the opening at base of fixture with trunnion screw holes to pass wire through and attach with screws.</p> 	<p>4 Pass the wire through other half of trunnion and tighten together with screws (Do not scratch the wire).</p> 
<p>5 Install onto mounting surface. Loosen screws on side of yoke to adjust fixture head angle and retighten in desired position.</p>  <p>Hex Screw</p>	<p>6 Finish wiring according to diagram.</p>  <p>Inner six angle screw</p> <p>Black: ACL Green: ACN White: ACN Purple: DIM+ Pink: DIM-</p>

Yoke Installation (35/60/80W)

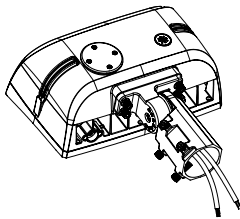
<p>1 Carefully unpack fixture and inspect for any damage caused in shipping.</p> 	<p>2 Remove knuckle by unscrewing the two screws at base of fixture.</p> 
<p>2 Tighten the bracket with screws on each side of the fixture.</p> 	<p>3 Mount to desired surface. To adjust head angle, loosen screws on sides of yoke, adjust, and retighten in desired position.</p>  <p>Hex Screw</p>

4 Finish wiring according to diagram.

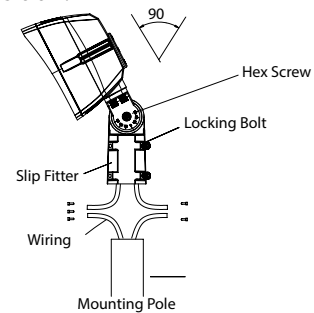


150/320W Installation

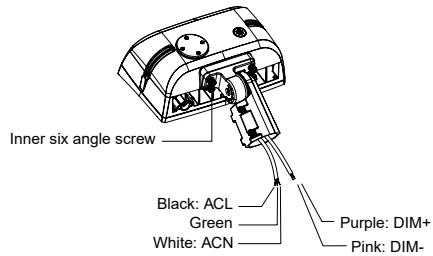
1 Carefully unpack fixture and inspect for any damage caused in shipping.



2 Install into lamp pole. Loosen six angle screw on side of knuckle to adjust fixture head angle and retighten in desired position.

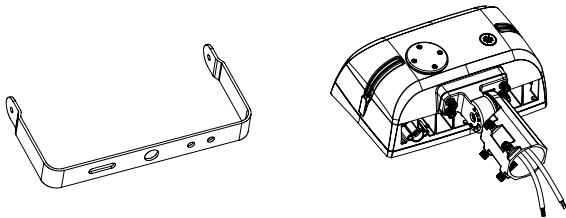


3 Connect wires according to diagram.

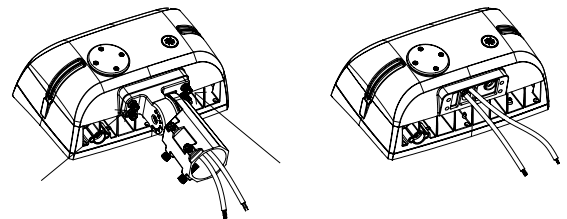


Installation With Yoke (150/320W)

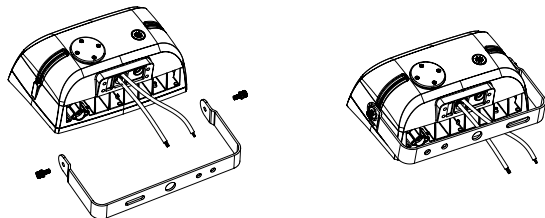
1 Carefully unpack fixture and inspect for any damage caused in shipping.



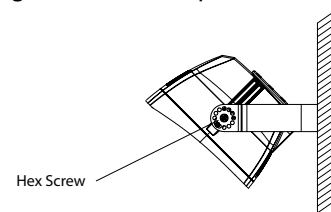
2 Remove slip fitter by unscrewing the four screws at base of fixture.



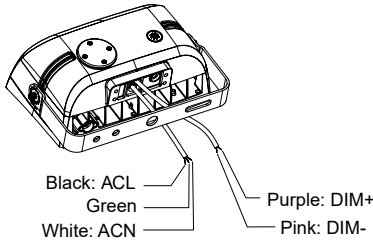
3 Tighten the bracket to the sides of the fixture with screws.



4 Loosen screws on side of yoke to adjust fixture head angle and retighten in desired position.

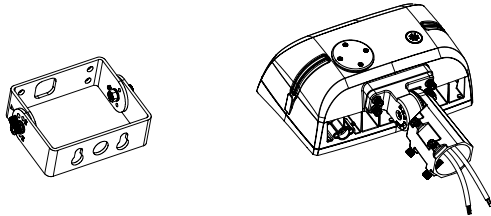


5 Finish wiring according to diagram.

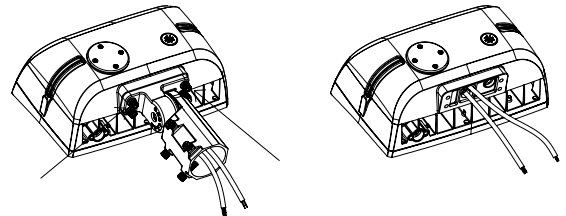


Trunion Installation (150/320W)

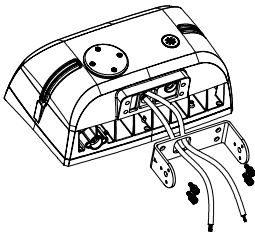
1 Carefully unpack fixture and inspect for any damage caused in shipping.



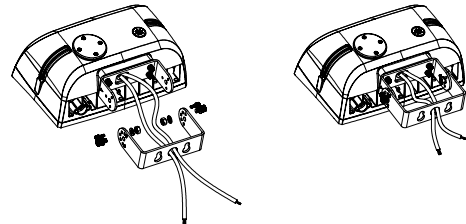
2 Remove slip fitter by unscrewing the four screws at base of fixture.



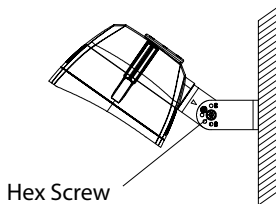
3 Align the rubber opening to pass wire through and attach with screws.



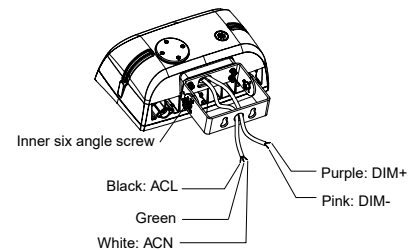
4 Pass the wire through other half of trunion and tighten together with screws (Do not scratch the wire).



5 Install onto mounting surface. Loosen screws on side of yoke to adjust fixture head angle and retighten in desired position.



6 Finish wiring according to diagram.

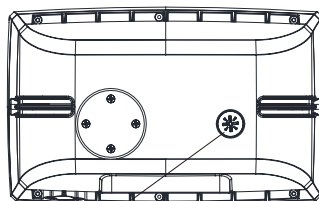
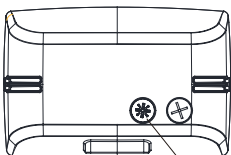


Photocell and CCT Adjustment

1 Open the metal plug on back of fixture with a screwdriver.

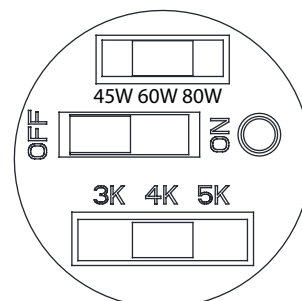
35/50/80W

150/320W



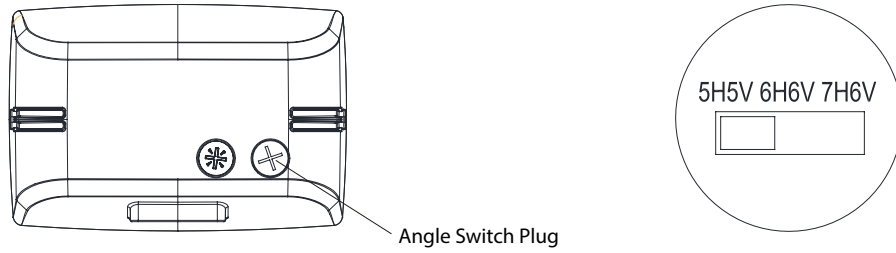
Photocell and CCT switch

2 Slide switch to desired setting and re-tighten plug. *Wattage settings depend on fixture. Below are reference only.*



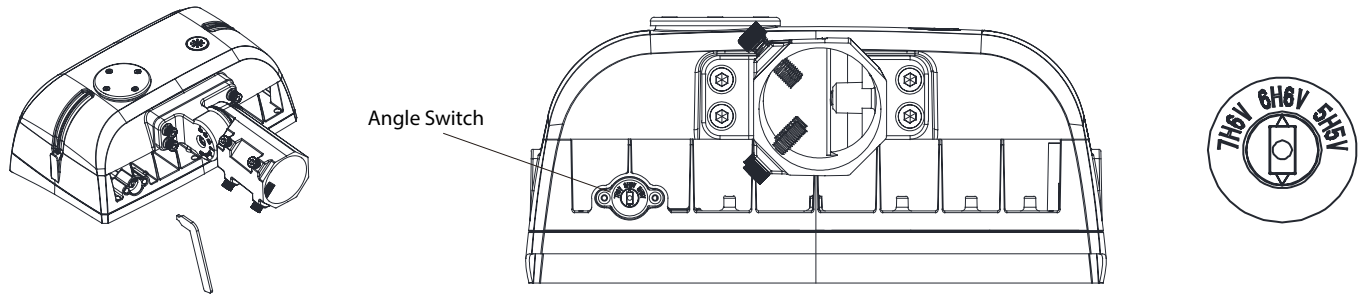
Beam Angle Adjustment (35/60/80W)

- 1 Open the plastic plug on back of fixture with a screwdriver. Adjust to desired angle and re-screw plug.



Beam Angle Adjustment (150/320W)

- 1 Use included handle and insert into slot of turnstile. Adjust to desired angle by turning left or right.



Subject to the exclusions below, each NICOR LED product, including the LED electronics and components of a property installed NICOR LED product, will be free from defect in materials and workmanship for a period of five (5) years from the original date of purchase. The product shall be considered defective only if 10% or more of the product's LED components fail. NICOR LED product warranty covers the following performance criteria: LED Light Output will be maintained above 70% of initial output; LED color temperature will not shift more than 200K in CCT; LED driver will operate within NICOR specifications; and the fixture finish, excluding natural aluminum or brass products, will not exhibit cracking, peeling, excessive fading, or corrosion during the warranty period. Exceptions apply as defined in NICOR's product specification sheets, which are incorporated by reference herein.

This limited warranty is provided to you, the purchaser of the product identified on Seller's invoice, as your exclusive remedy and applies only to NICOR products that have been purchased from an authorized NICOR Distributor; the product was new and in an unopened NICOR package at the time of installation; and the NICOR product was installed by a licensed electrician or under the supervision of a licensed electrician and used by consumers in the United States or Canada when accompanied with this warranty. This warranty extends only to the first consumer purchaser and is not transferable. A consumer wishing to invoke the terms of this limited warranty must first obtain a RGA number within 30 days of discovery of the defect, and return the product to NICOR for inspection. Once verified to be covered by this limited warranty, NICOR will, at its sole discretion, repair, replace, or refund the purchase price of any product that does not conform to this limited warranty. If NICOR, at its sole discretion, determines that the product should be repaired or replaced, this warranty is limited to the reasonable, customary, and necessary costs and expenses associated with the repair/replacement. This warranty requires that all repair/replacement estimates and costs, including but not limited to equipment rental (if any), and any other cost or expense to be incurred in the repair/replacement of the product, be approved in advance and in writing by NICOR. FAILURE TO OBTAIN NICOR'S ADVANCE WRITTEN APPROVAL OF ALL REPAIR/REPLACEMENT COSTS AND EXPENSES IN WRITING SHALL VOID THIS LIMITED WARRANTY.

THIS LIMITED WARRANTY DOES NOT COVER THE FOLLOWING:

- Defects or damages resulting from improper installation, operation, storage, misuse or abuse, accident, or neglect;
- Defects or damages resulting from improper service, testing, adjustment, installation, maintenance, alteration, connection to out-of-specification electrical service, corrosive or damp environments, or connection to incompatible equipment or devices (e.g., connecting non-dimmable lighting products to dimmers);
- Damage which occurs in transit;
- Power surges or overheating due to external conditions
- Acts of nature including but not limited to lightning strikes

ANY IMPLIED WARRANTIES, INCLUDING WITHOUT LIMITATION, THE IMPLIED WARRANTIES OF MERCHANTABILITY AND FITNESS FOR A PARTICULAR PURPOSE SHALL BE LIMITED TO THE DURATION OF THIS LIMITED WARRANTY, OTHERWISE THE REPAIR, REPLACEMENT, OR REFUND AS PROVIDED UNDER THIS EXPRESS LIMITED WARRANTY IS THE EXCLUSIVE REMEDY OF THE CONSUMER, AND IS PROVIDED IN LIEU OF ALL OTHER WARRANTIES, EXPRESS OR IMPLIED. IN NO EVENT SHALL NICOR BE LIABLE, WHETHER IN CONTRACT OR IN TORT (INCLUDING NEGLIGENCE) FOR DAMAGES IN EXCESS OF THE PURCHASE PRICE OF THE PRODUCT, OR FOR ANY INDIRECT, INCIDENTAL, SPECIAL OR CONSEQUENTIAL DAMAGES OF ANY KIND, OR LOSS OF REVENUE OR PROFITS, LOSS OF BUSINESS OR OTHER FINANCIAL LOSS ARISING OUT OF OR IN CONNECTION WITH THE ABILITY OR INABILITY TO USE THE PRODUCT TO THE FULL EXTENT THESE DAMAGES MAY BE DISCLAIMED BY LAW

This device complies with part 15 of the FCC Rules. Operation is subject to the following two conditions: (1) This device may not cause harmful interference, and (2) this device must accept any interference received, including interference that may cause undesired operation.

NOTE: This equipment has been tested and found to comply with the limits for a Class B digital device, pursuant to part 15 of the FCC Rules. These limits are designed to provide reasonable protection against harmful interference in a residential installation. This equipment generates, uses and can radiate radio frequency energy and, if not installed and used in accordance with the instructions, may cause harmful interference to radio communications. However, there is no guarantee that interference will not occur in a particular installation. If this equipment does cause harmful interference to radio or television reception, which can be determined by turning the equipment off and on, the user is encouraged to try to correct the interference by one or more of the following measures:

- Reorient or relocate the receiving antenna.
- Increase the separation between the equipment and receiver.
- Connect the equipment into an outlet on a circuit different from that to which the receiver is connected.
- Consult the dealer or an experienced radio/TV technician for help.