

TGL4S

Sensor Ready Select LED Backlit Troffer

Product Description

The TGL4S is a high-performance, premium LED troffer designed to meet the demands of commercial environments. Featuring an integrated sensor socket, the TGL4S is controls ready to meet the growing requirements for wirelessly controlled fixtures. Featuring a large, highly accessible junction box and a sealed, maintenance-free chamber it effectively keeps out dust and insects. Available with selectable CCT and lumen output options, users can choose between 3500K, 4000K, or 5000K CCTs, as well as low, medium, or high lumen outputs. Additionally, it holds the DLC 5.1 Premium certification, ensuring exceptional quality and performance. Ideal for offices, hospitals, and a variety of other commercial spaces, the TGL4S offers a reliable and efficient lighting solution.

Construction

- Extruded frame with powder coat finish
- Durable stamped steel housing
- High efficiency, maintenance-free LED chamber
- Smooth formed sides for safe handling
- Increased junction box volume with 7 wiring knockouts.

Optical System

- Precision engineered polystyrene diffuser
- High reflectivity internal coating
- No visible diodes, hot-spots, or shadows providing high uniformity, and reduced glare
- 80 CRI or 90CRI options

Electrical

- Input voltage of 120-277VAC
- Dim-to-off dimming via 0-10VDC controls
- Sensor-ready socket for field installable sensors.
- 12V accessory output to power sensors or other control items
- CCT and Wattage selector switches accessible on junction box
- Power factor > 0.9
- THD < 10%
- Luminaire surge protection level: designed to withstand up to 2.5kV ring wave per ANSI C82.77-5-2017 requirements for Indoor Hard-wired and Indoor Portable Luminaires
- Operating temperature range: -4°F to 104°F (-20° to 40°C)

Controls

- Snap-in PIR motion sensor available
- NLC (Network Lighting Controls) sensor available
 - Bluetooth Low Energy (BLE) mesh network providing Luminaire Level Lighting Control
 - Luminaire integrated BLE PIR/Daylight sensor available
 - Configurable with the NICOR NLC app available on iOS and Android devices
 - Provides full dimming control with occupancy and daylight harvesting functions

Mounting and installation

- Easy access to both line and low voltage connections
- Emergency battery backup available
- Integral grid tie clips with wire holes provided for seismic requirements
- Surface mount installation with an optional adaptor
- Drywall installation with an optional adaptor
- For installations where power surge may be possible, NICOR recommends installing additional surge protection at the fixture or electrical distribution panel

Listings

- cULus 1598 Listed for damp locations
- Certified for direct contact with insulation (IC)
- RoHS Compliant
- DLC 5.1 Premium Listing
- Meets FCC Part 15, Subpart B, Class A standards for conducted and radiated emissions
- TM-21 Reported L90(9k) life >54,000 hours
- LM-79, LM-80 testing performed in accordance with IESNA standards

Warranty

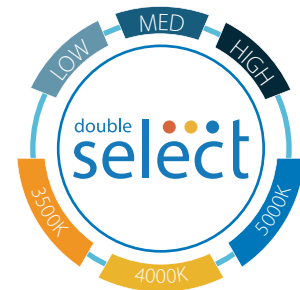
- 5-year limited system warranty standard
- Warranty does not cover product failure due to an overvoltage event (power surge.)

Project

Catalog

Type

Date



TGL4S
LED Backlit Troffer
1x4, 2x2, 2x4
Selectable Wattage & CCT



TGL4S

Sensor Ready Select LED Backlit Troffer

Ordering

Ordering Information

Example: TGL42230SUS8S

Series	Version	Size	Wattage	Voltage	CCT	CRI	Sensor Socket	EM (Optional)
TGL	4	14 (1x4)	30S (30/25/20)	U (120-277V)	S (35/40/50)	8 (>80)	S (Sensor Ready)	Blank (none)
		22 (2 x 2)	30S (30/25/20)			9 (>90)		E1 (4.5W) ¹
		24 (2 x 4)	50S (50/40/30)					E2 (8W - MTO) ¹
								E3 (8W - QS) ²

Specifications and dimensions subject to change without notice.

1) Factory installation only - call factory for leadtime

2) Preinstalled - ready to ship

Recommended Dimmers*

Lutron NTSTV

Leviton IP710

Cooper SF10P

Legrand RH4FBL3PW

Mounting Accessories

Flange Kit - 1x4	TPE10FK14
Flange Kit - 2x2	TPE10FK22
Flange Kit - 2x4	TPE10FK24
Surface Kit - 1x4	SK14M10WH
Surface Kit - 2x2	SK22M10WH
Surface Kit - 2x4	SK24M10WH

*Not a complete list. Check compatibility before installation.

Sensor Accessories

PIR Sensor	SNAPINSENSORPIR1WH
NICOR NLC Sensor	NLCSPSS1WH

Sensor Default Settings

	Standard PIR	Bluetooth PIR
Hold Time	20 min	20 min
Standby Dimming Level	30%	50%
Standby Period	30 min	1 min
Sensitivity	100%	100%
Daylight Sensor	Off	Off

For complete sensor information reference the sensor spec sheet

Specifications and dimensions subject to change without notice.

NICOR LLC 2200 Midtown Place NE, Albuquerque, NM 87107 P: 800.821.6283 F: 800.892.8393

www.nicorlighting.com November 6, 2025 4:06 PM TGL4S Page 2 of 6



TGL4S

Sensor Ready Select LED Backlit Troffer

Photometric Data

Performance Data - 80CRI						Emergency Pack Performance Data	
Model	Output Setting	CCT	Lumens	Max Watts	Efficiency	E1 Lumens	E2/E3 Lumens
TGL414-S	Standard	3500	2433	20.0	121.6	547	973
		4000	2513	20.3	123.9	558	991
		5000	2435	20.0	121.9	549	975
	Medium	3500	3041	25.0	121.6	547	973
		4000	3142	25.4	123.9	558	991
		5000	3044	25.0	121.9	549	975
	High	3500	3649	30.1	121.6	547	973
		4000	3770	30.5	123.8	557	990
		5000	3653	30.0	121.8	548	974
TGL422-S	Standard	3500	2645	20.3	130.3	586	1042
		4000	2748	19.4	141.7	638	1134
		5000	2654	19.9	133.2	599	1066
	Medium	3500	3306	25.0	132.2	595	1058
		4000	3435	24.2	141.7	638	1134
		5000	3318	24.9	133.2	599	1066
	High	3500	3967	30.8	128.9	580	1031
		4000	4122	29.8	138.2	622	1106
		5000	3981	30.7	129.9	585	1039
TGL424-S	Standard	3500	3642	30.0	121.4	546	971
		4000	3868	28.8	134.5	605	1076
		5000	3647	29.9	122.0	549	976
	Medium	3500	4856	40.0	121.4	546	971
		4000	5157	38.3	134.5	605	1076
		5000	4863	39.9	122.0	549	976
	High	3500	6070	52.1	115.9	522	927
		4000	6446	49.9	128.4	578	1027
		5000	6079	51.9	116.5	524	932

TGL4S

Sensor Ready Select LED Backlit Troffer

Photometric Data

Performance Data - 90CRI					Emergency Pack Performance Data	
Model	Output Setting	Lumens	Max Watts	Efficiency	E1 Lumens	E2/E3 Lumens
TGL414-S	Standard	2285	20.0	114.2	514	914
		2360	20.3	116.2	523	930
		2286	20.0	114.3	514	914
	Medium	2855	25.0	114.2	514	914
		2950	25.4	116.2	523	930
		2858	25.0	114.3	514	914
	High	3426	30.1	113.8	512	910
		3540	30.5	116.1	522	929
		3430	30.0	114.3	514	914
TGL422-S	Standard	2484	20.3	122.3	550	978
		2580	19.4	133.0	599	1064
		2492	19.9	125.2	563	1002
	Medium	3104	25.0	124.2	559	994
		3225	24.2	133.3	600	1066
		3116	24.9	125.1	563	1001
	High	3725	30.8	120.9	544	967
		3871	29.8	129.9	585	1039
		3738	30.7	121.8	548	974
TGL424-S	Standard	3420	30.0	114.0	513	912
		3632	28.8	126.1	567	1009
		3425	29.9	114.5	515	916
	Medium	4560	40.0	114.0	513	912
		4842	38.3	126.4	569	1011
		4566	39.9	114.4	515	915
	High	5700	52.1	109.4	492	875
		6053	49.9	121.3	546	970
		5708	51.9	110.0	495	880

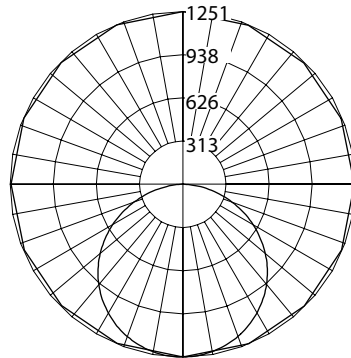
TGL4S

Sensor Ready Select LED Backlit Troffer

Photometric Data

TGL414S 40K 30W

Input Voltage (VAC)	120-277
System Level Power (W)	30.5
Delivered Lumens (Lm)	3770
System Efficacy (Lm/W)	123.8
Correlated Color Temp (K)	4156
Color Rendering Index (CRI)	84
Beam Angle (0)	113.3
Beam Angle (90)	120.5
Spacing Criteria (0)	1.32
Spacing Criteria (90)	1.28



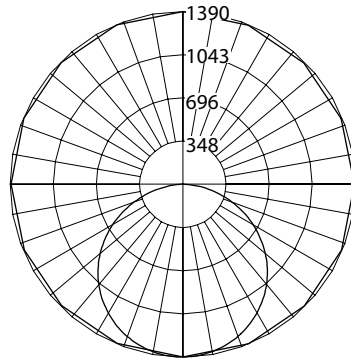
Cone of Light Tabulation		
Mounted height (Feet)	Footcandles Beam Center	Diameter (Feet)
8	19.4	24.3
10	12.4	30.4
12	8.6	36.5
14	6.3	42.5

Data Multiplier			
TGL41430SUS8S			
	35K	40K	50K
Low	0.645	0.667	0.646
Med	0.807	0.833	0.808
High	0.968	1.000	0.969

CRI Multiplier	
80	1.000
90	0.939

TGL422S 40K 30W

Input Voltage (VAC)	120-277
System Level Power (W)	29.8
Delivered Lumens (Lm)	4122
System Efficacy (Lm/W)	138.2
Correlated Color Temp (K)	4098
Color Rendering Index (CRI)	84
Beam Angle (0)	115.9
Beam Angle (90)	115.6
Spacing Criteria (0)	1.30
Spacing Criteria (90)	1.28



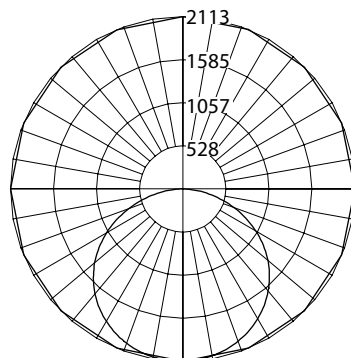
Cone of Light Tabulation		
Mounted height (Feet)	Footcandles Beam Center	Diameter (Feet)
8	21.7	25.6
10	13.9	31.9
12	9.6	38.3
14	7.1	44.7

Data Multiplier			
TGL42230SUS8S			
	35K	40K	50K
Low	0.642	0.667	0.644
Med	0.802	0.833	0.805
High	0.962	1.000	0.966

CRI Multiplier	
80	1.000
90	0.939

TGL424S 40K 50W

Input Voltage (VAC)	120-277
System Level Power (W)	49.9
Delivered Lumens (Lm)	6446
System Efficacy (Lm/W)	128.4
Correlated Color Temp (K)	4220
Color Rendering Index (CRI)	84
Beam Angle (0)	115.9
Beam Angle (90)	120.5
Spacing Criteria (0)	1.32
Spacing Criteria (90)	1.28



Cone of Light Tabulation		
Mounted height (Feet)	Footcandles Beam Center	Diameter (Feet)
8	33.0	25.6
10	21.1	31.9
12	14.6	38.3
14	10.7	44.7

Data Multiplier			
TGL42450SUS8S			
	35K	40K	50K
Low	0.565	0.600	0.566
Med	0.753	0.800	0.754
High	0.942	1.000	0.943

CRI Multiplier	
80	1.000
90	0.939

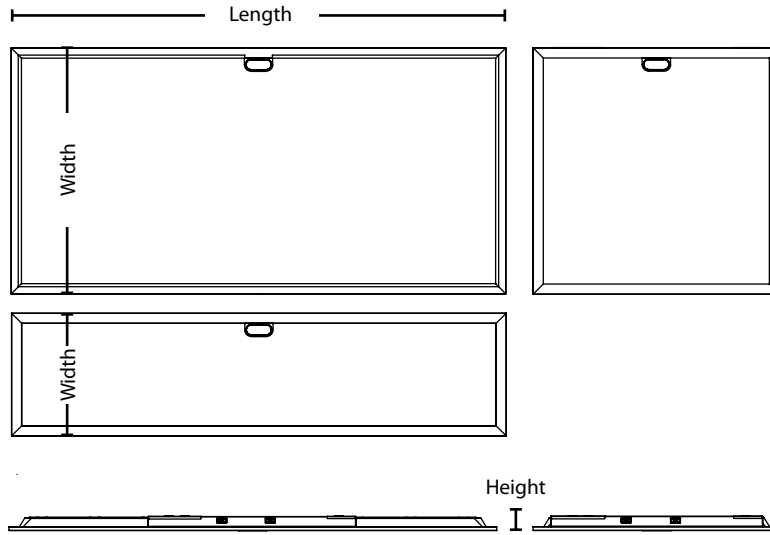
Fixture tested per LM-79-08. Photometric data is of the performance of a representative fixture. Results may vary in the field.

TGL4S

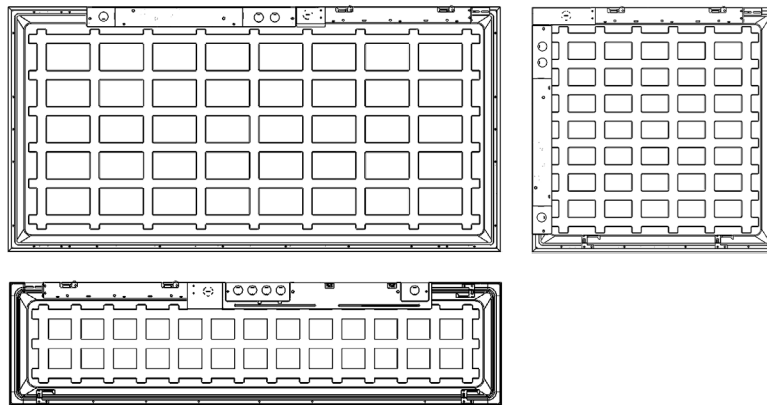
Sensor Ready Select LED Backlit Troffer

Dimensions

	TGL414S	TGL422S	TGL424S
Length	47.75" (1213mm)	23.74" (603mm)	47.75" (1213mm)
Width	11.89" (302mm)	23.74" (603mm)	23.74" (603mm)
Height	1.46" (37mm)		



View of top with EM pack



This device complies with part 15 of the FCC Rules. Operation is subject to the following two conditions: (1) This device may not cause harmful interference, and (2) this device must accept any interference received, including interference that may cause undesired operation.

NOTE: This equipment has been tested and found to comply with the limits for a Class A digital device, pursuant to part 15 of the FCC Rules. These limits are designed to provide reasonable protection against harmful interference when the equipment is operated in a commercial environment. This equipment generates, uses, and can radiate radio frequency energy and, if not installed and used in accordance with the instruction manual, may cause harmful interference to radio communications. Operation of this equipment in a residential area is likely to cause harmful interference in which case the user will be required to correct the interference at his own expense.

Specifications and dimensions subject to change without notice.