

SONDER

LIVING

EMERSON CREDENZA - 2 DOORS

Thank you for choosing this quality product. Be sure to check all packaging materials carefully for small parts that may have loosened inside the carton during shipment and place on a non-abrasive surface.

IMPORTANT

These parts can be cumbersome and heavy to some people, therefore, the assistance of two or more people are recommended in order to prevent personal injury and ensure the furniture is not damaged during the assembly Process.

PART LIST





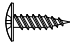

- A. [1] CREDENZA
- B. [1] WINETRAY
- C. [1] REMOVABLE SHELF PANEL

TOOLS NEEDED

- Phillips Screwdriver (Not provided)



HARDWARE LIST

NO	DESCRIPTION	QTY
1	 HANDLE	2
2	 KEEPER	4
3	 PHILLIPS HEAD BOLT	4
4	 SHELF HOLDER	4
5	 SCREW M4 X 15MM	4
6	 SCREW M4 X 25MM	4

INSTRUCTIONS

1. For packing purpose, the door handles with keepers were removed and put in hardware bag. Open all doors, attach the handles (1) with keepers (2) to the door by using the Phillips head bolts (3) provided. Repeat this steps to attach handle for other doors. Refer to FIGURE 01.
2. Attach the Wine tray (B) to the inside of furniture. Align and run all screws (6) provided through the holes on the wine tray. NOTE: The wine tray can be assembly in the left or right of the furniture according to your hobby. Refer to FIGURE 02.

FIGURE 01

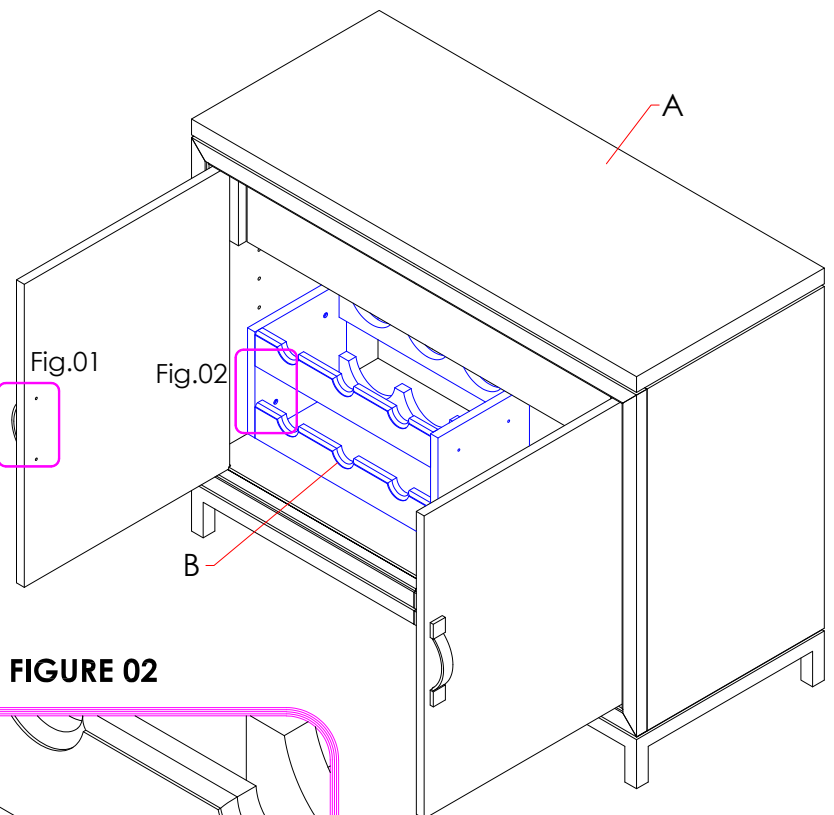
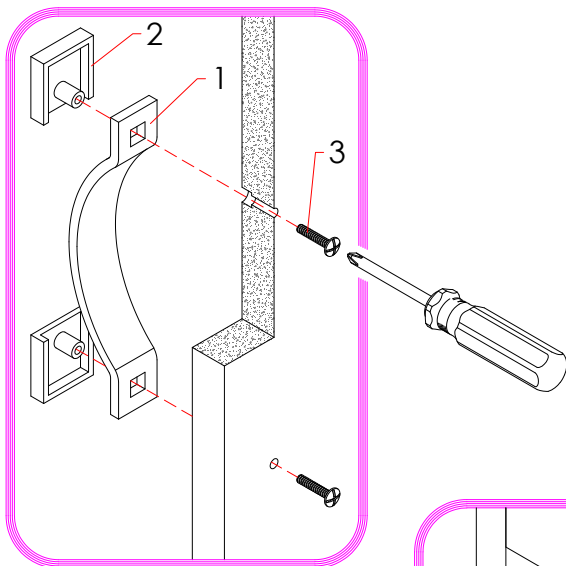
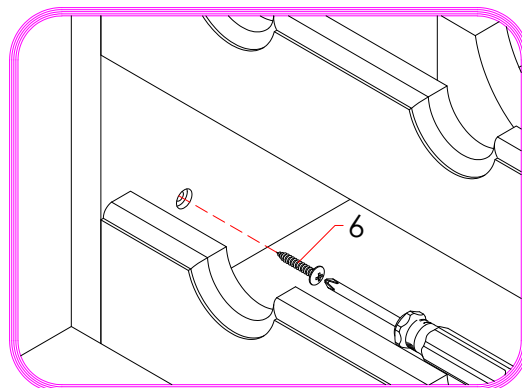


FIGURE 02



3. Install the shelf holders (4) and place the shelf panels (C) on the shelf holders. Fix the shelf panels to the shelf holders by using screws (5) provided. See **FIGURE 03**.
4. Check the furniture leveling and adjust the levelers at the the bottom of the base necessary. Refer to **FIGURE 04**.

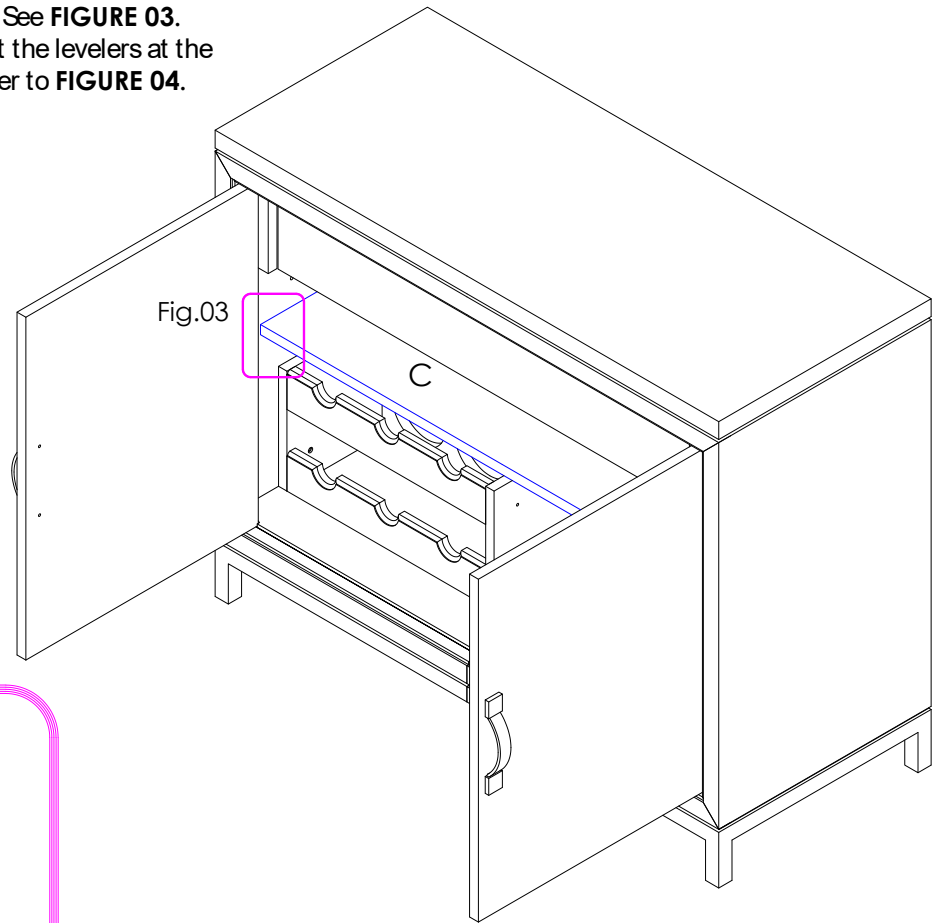


FIGURE 03

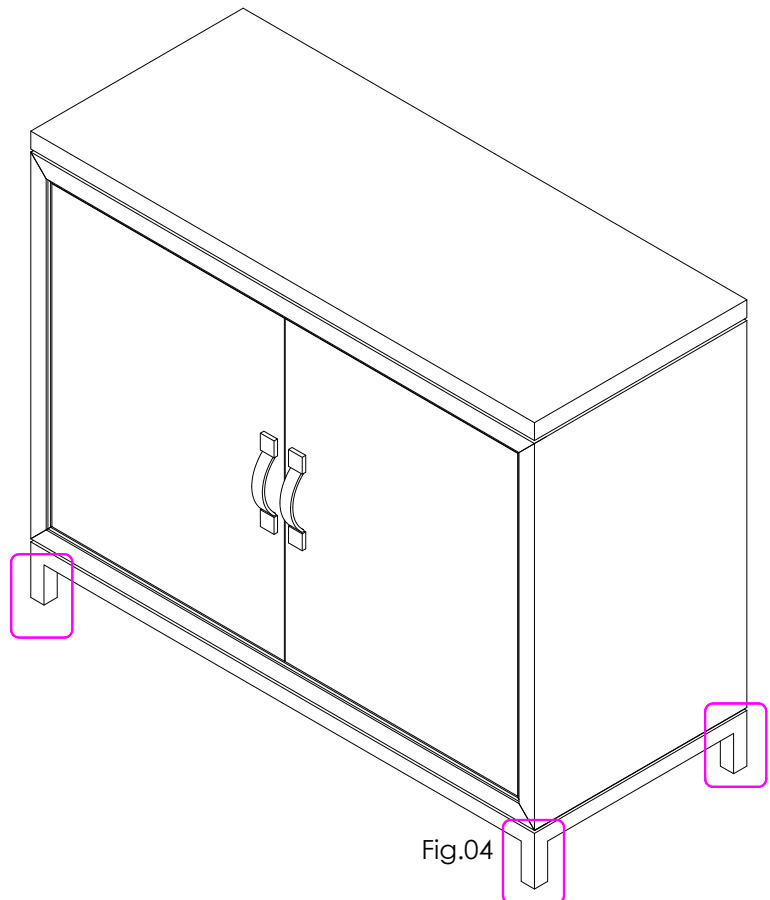
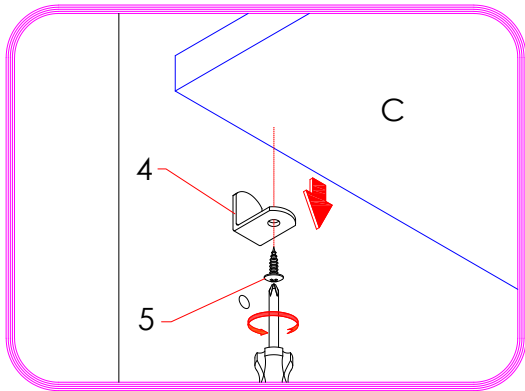
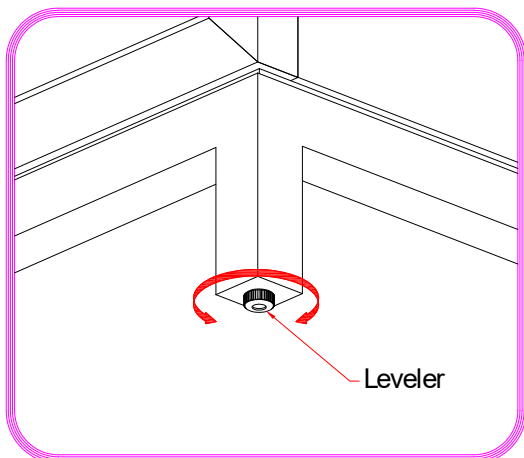


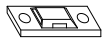




FIGURE 04



FURNITURE TIPPING RESTRAINT INSTRUCTIONS

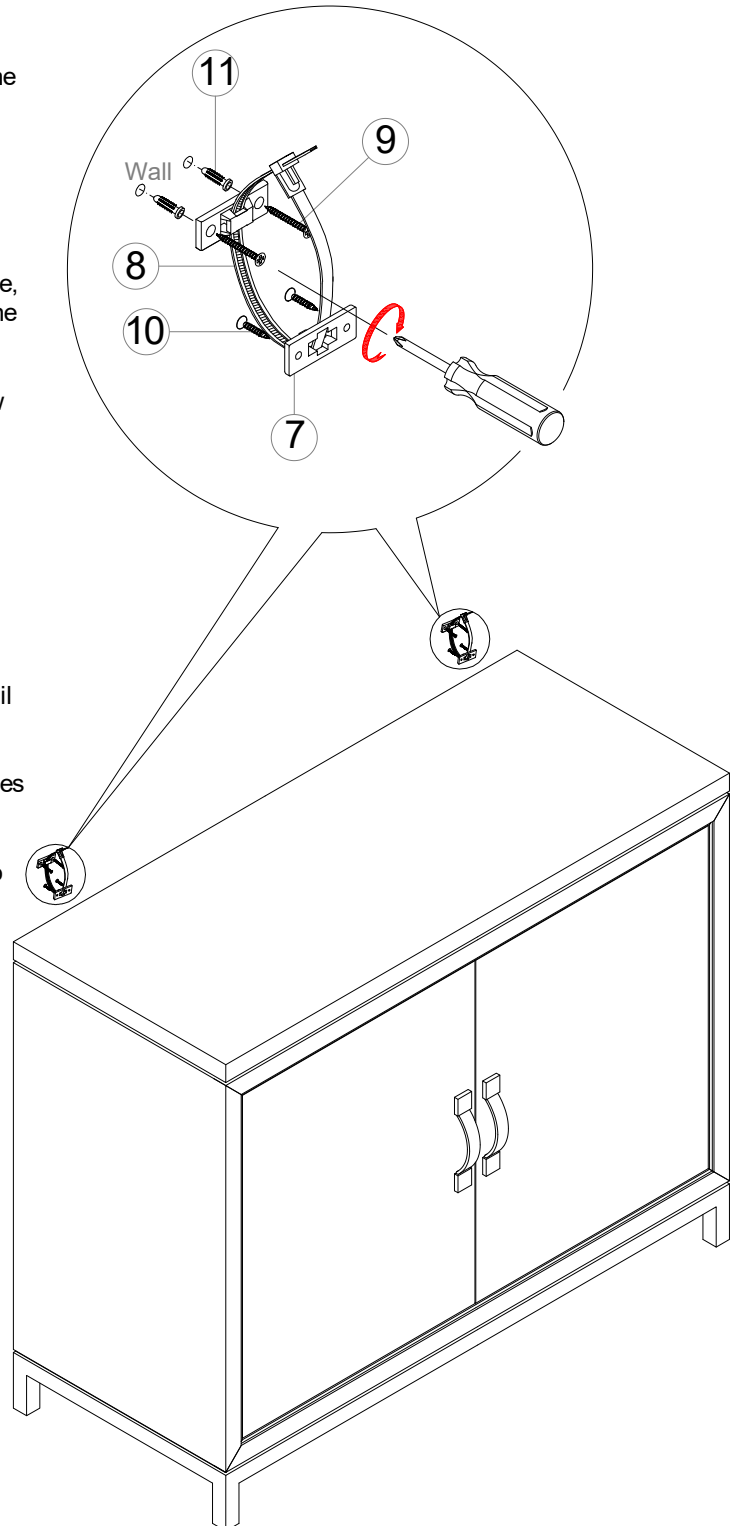
Young children may be injured by tipping furniture and the use of a tipping restraint is highly recommended. When properly installed, this restraint could provide protection against the unexpected tipping of furniture due to small tremors, bumps or climbing. We recommend mounting this restraint to a wall stud.

WARNING: This product is only a deterrent. It is not a substitute for proper adult supervision.

NO	DESCRIPTION	QTY
7	 PLASTIC BRACKET	4
8	 RESTRAINT STRAP	2
9	 PHILLIPS SCREWS (M4 x 30)	4
10	 PHILLIPS SCREWS (M4 x 20)	4
11	 PLASTIC ANCHOR	4

INSTALLATION INSTRUCTION

1. Attach two of the Plastic Brackets near the top back edge of the furniture piece by inserting the shorter screws.
2. Determine the final position of the furniture piece. Mark locations on the wall approximately 2" below the brackets mounted to the back of the furniture.
3. Drill a shorter hole into the wall stud. If wall stud is not available, drill a hole into the wall and insert Plastic Anchor. Gently tap the Anchor until the flange is flush with the wall.
4. Attach the second set of brackets by inserting the longer screw through the bracket and into the wall.
5. Carefully move the chest backward within 1.5" to 2" from the wall.
6. Place the furniture so that the brackets on the back edge are in line with the brackets in the wall.
7. Lace one end of the nylon restraint strap down through each bracket. Bring both ends together and slide the beaded end until it snap locks into the keyhole slot.
8. To double lock; return the beaded end back through the keyholes as shown.
9. Check to make sure the straps are securely laced and locked to the brackets.



CARE INSTRUCTIONS

1. Dust often using a clean, soft, dry and lint-free cloth.
2. Blot spills immediately and wipe with a clean, damp, cloth.
3. We do not recommend the use of chemical cleansers, abrasives or furniture polish on our lacquered finish.

IMPORTANT SAFETY INSTRUCTIONS

1. Please read all instructions carefully before assembling.
2. For your safety, assembly by two or more adults is strongly recommended.
3. Keep instructions for future use.
4. Use only vendor supplied hardware to assemble. Using unauthorized hardware could jeopardize the structural integrity of the item.