



Channel letter lighting systems

Visibly Better

Tetra[®] miniMAX

GE current
a Daintree company

With powerful **OptiLens™ X** and groundbreaking energy efficiency

Tetra® miniMAX white—the 24V remarkable LED system designed for small & medium channel letters as shallow as 1.5 inches in depth delivers incredibly uniform light, installs easily and operates efficiently. **Tetra® miniMAX** is IP66 and UL wet rated which makes it more robust and reliable than ever, even under wet weather.

Powerful OptiLens™ X

Tetra® miniMAX features OptiLens™ X, our patented technology that allows for an incredible 175° viewing angle. This exclusive technology redirects otherwise wasted light to the sign face, making sure your signs shine.

Best-in-Class Loading

Now load up to 118.5 feet (36.1 m) or 237 modules of 24V **Tetra® miniMAX** per 100W power supply using our new and improved GLX2 power supplies.

Improved stroke spacing

The new 24V **Tetra® miniMAX** stroke spacing has improved on average by 30%, thanks to the new OptiLens™ X wide beam angle.

Tetra® miniMAX Features

Wide 175° beam angle

Efficacy: 157 lm/W for the whites

24 Volt DC, UL Wet Rated & IP66

5-year limited warranty



Accessories		
SKU	Description	Package Quantity
GETMEC1	18 AWG Wire End Caps (0.82 mm ²)	100/bag
9409	18 AWG Supply Wire (0.82 mm ²)	500 ft (152.40 m)/spool
191600041	22-14 AWG Twist-on Wire Connector (0.33-2.08 mm ²)	500/bag
192160004	18-14 AWG In-line Splice Connector (0.82-2.08 mm ²)	500/bag

Tetra® miniMAX Spacing		
	Can Depth	Coverage
Medium	1.5-3" (38-76mm)	3-6.5" (76-165mm)
	3-4" (76-102mm)	5-8" (127-203mm)
Large	4-5" (102-127mm)	8-11" (203-279mm)
	5-6" (127-152mm)	13-15" (330-381mm)

Total Reliability

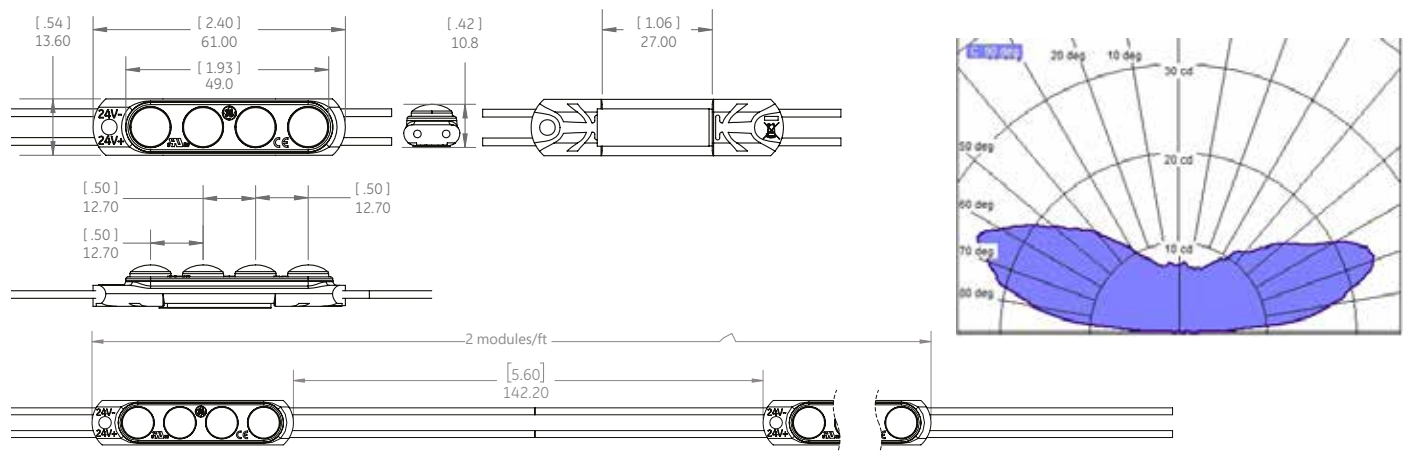
To ensure every Tetra® miniMAX installation will operate brilliantly for years, we perform the most extensive, stringent testing in the industry. We test the LED, water and dust ingress protection, sub-system and complete system at our in-house and independent laboratories around the world. Validation of our designs, components, products and processes include high temperature, high humidity and accelerated life testing.



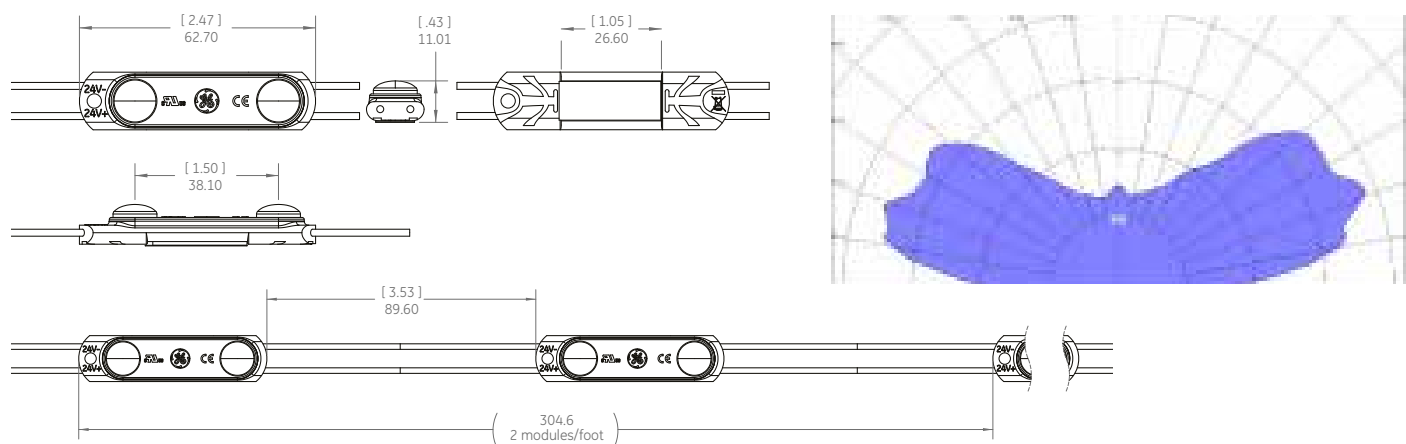
Mechanical Outline & Viewing Angle

Dimensions in (inches). Metric equivalent mm.

Tetra miniMAX 24V whites



Tetra miniMAX 24V colors



Components

SKU	Model	Details	Color	Order Unit	Pkg. Quantity	Modules per Strip
93053666	GEMM2471-W1	Tetra® miniMAX 24V 7100K	White	Box	5 Strips/Box	40 modules/strip (20 ft/strip)
93118643	GEMM2465-W1	Tetra® miniMAX 24V 6500K	Warm White	Box	5 Strips/Box	40 modules/strip (20 ft/strip)
93118644	GEMM2457-W1	Tetra® miniMAX 24V 5700K	Warm White	Box	5 Strips/Box	40 modules/strip (20 ft/strip)
93053667	GEMM2450-W1	Tetra® miniMAX 24V 5000K	Warm White	Box	5 Strips/Box	40 modules/strip (20 ft/strip)
93053668	GEMM2441-W1	Tetra® miniMAX 24V 4100K	Warm White	Box	5 Strips/Box	40 modules/strip (20 ft/strip)
93053669	GEMM2432-W1	Tetra® miniMAX 24V 3200K	Warm White	Box	5 Strips/Box	40 modules/strip (20 ft/strip)
93069932	GEMM24RD-W1	Tetra® miniMAX colors 24V - 625nm	Red	Box	5 Strips/Box	40 modules/strip (20 ft/strip)
93069933	GEMM24GL-W1	Tetra® miniMAX colors 24V - 530nm	Green	Box	5 Strips/Box	40 modules/strip (20 ft/strip)
93069934	GEMM24BL-W1	Tetra® miniMAX colors 24V - 470nm	Blue	Box	5 Strips/Box	40 modules/strip (20 ft/strip)

Technical Specifications

Model	Wavelength/ CCT	Typical Brightness Lumens/module	Typical Brightness Lumens/ft (Lumens/m)	Energy Consumption Module Wattage	Energy Consumption System Wattage	100W GLX Power Supply Loading	100W GLX2/ TT Power Supply Loading	Viewing Angle
GEMM2471-W1	7100K	55	110 (361)	0.35w/module	0.41w/module	110 ft (33.5 m)	118.5 ft (36.1 m)	175°
GEMM2465-W1	6500K	55	110 (361)	0.35w/module	0.41w/module	110 ft (33.5 m)	118.5 ft (36.1 m)	175°
GEMM2457-W1	5700K	55	110 (361)	0.35w/module	0.41w/module	110 ft (33.5 m)	118.5 ft (36.1 m)	175°
GEMM2450-W1	5000K	55	110 (361)	0.35w/module	0.41w/module	110 ft (33.5 m)	118.5 ft (36.1 m)	175°
GEMM2441-W1	4100K	55	110 (361)	0.35w/module	0.41w/module	110 ft (33.5 m)	118.5 ft (36.1 m)	175°
GEMM2432-W1	3200K	50	100 (328)	0.35w/module	0.41w/module	110 ft (33.5 m)	118.5 ft (36.1 m)	175°
GEMM24RD-W1	625nm	15	30 (98.4)	0.34w/module	0.40w/module	120 ft (36.5 m)	129 ft (39.3 m)	175°
GEMM24GL-W1	530nm	33	66 (216.5)	0.58w/module	0.68w/module	71 ft (21.6 m)	75 ft (22.8 m)	175°
GEMM24BL-W1	470nm	11	22 (72.2)	0.53w/module	0.62w/module	77.5 ft (23.6 m)	82 ft (25 m)	175°

Additional Specifications

	Whites	Colors			
Dimmable	Yes (with dimmable power supply)	Yes (with dimmable power supply)			
LEDs/Module	4	2			
LEDs/ft (LEDs/m)	8 (26)	4 (13)			
Modules/ ft. (Modules/m)	2 (6.6)	2 (6.6)			
Module Dimensions (h x l x w)	0.41 in x 2.4 in x 0.54 in (10.46 mm x 61 mm x 13.6 mm)	0.43 in x 2.47 in x 0.6 in (11.01 mm x 62.7 mm x 15.3 mm)			
Cutting Resolution	Cut on wire between every module				
Power Supply	GEPS24-25-NA Input: 100-305VAC; Output: 24VDC GEPS24D-80U Input: 90-305VAC; Output: 24VDC GEPS24-100U Input: 108-305VAC; Output: 24VDC	GEPS24-200U Input: 90-305VAC; Output: 24VDC GEPS24-300U Input: 108-305VAC; Output: 24VDC			
Maximum Supply Wire Limits	18 AWG/0.82 mm² Supply Wire	16 AWG/1.31 mm² Supply Wire	14 AWG/2.08 mm² Supply Wire	12 AWG/3.31 mm² Supply Wire	
	25W Power Supply	120 ft./36.6 m	-	-	-
	80W Power Supply	20 ft./6.1 m	25 ft./7.6 m	35 ft./10.6 m	40 ft./12.1 m
	100W Power Supply	20 ft./6.1 m	25 ft./7.6 m	35 ft./10.6 m	40 ft./12.1 m
	200W Power Supply	20 ft./6.1 m	25 ft./7.6 m	35 ft./10.6 m	40 ft./12.1 m
300W Power Supply	20 ft./6.1 m	25 ft./7.6 m	35 ft./10.6 m	40 ft./12.1 m	
Operating Environment	-40 °C to +60 °C (-40 °F to +140 °F)				
Warranty	Limited system warranty of up to five (5) years				
System Certifications	UL Recognized (C-US) #E219167, UL Classified (C-US) #E229508, CE, ROHS • IP66 rated: for dry, damp or wet location.				