

# NLCSPCMOUNT1

## NLC Spring-Loaded Recessed Ceiling Mount

### Product Description

The NLCSPCMOUNT1 is a recessed ceiling mount designed to work with NICOR's NLCSPC-series of wireless PIR/Daylight sensor. The adjustable spring-loaded retention tabs provide a secure fit within a 1.60" diameter cut-out.

#### Construction

- Die cast materials
- IP20
- Ceiling cut diameter 1.60in (41mm)

#### Product Compatibility

- NLCSPCW1WH
- NLCSP1HW1WH
- NLCSPCWNBWH

Project

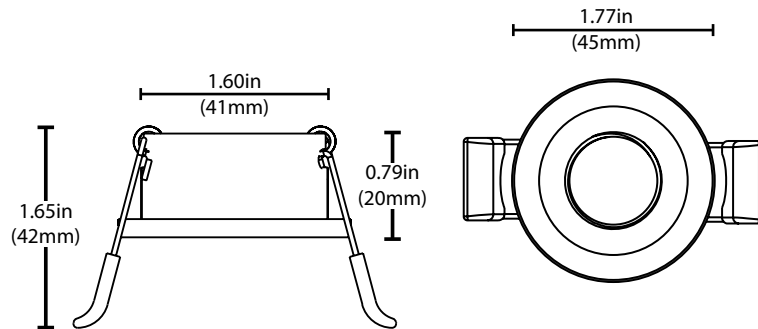
Catalog

Type

Date



### Dimensions



### Ordering Information

Example: NLCSPCMOUNT1

Series	Product Category	Sensor Category	Mounting Category	Accessory Type	Version
NLC	S (Sensor Receptacle)	P (PIR)	C (Ceiling Mount)	MOUNT	1

Specifications and dimensions subject to change without notice.