

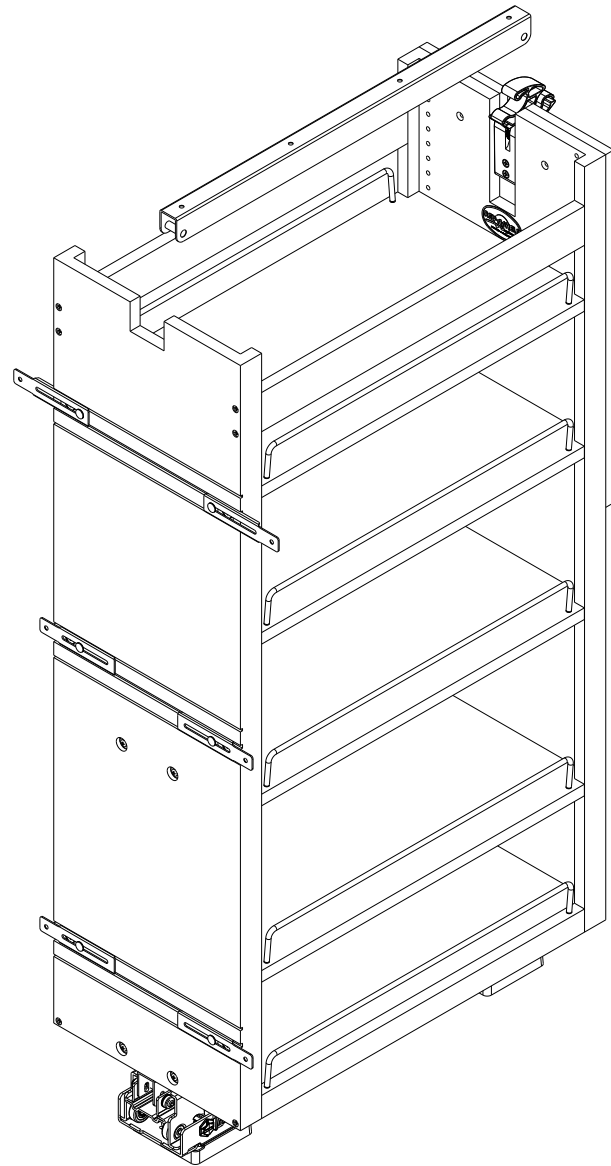
NOTES:
 1. RECOMMENDED SCREW SIZE INTO DOOR #6X 1/2" (PROVIDED BY RAS)
 QTY 6

CUSTOMER DRAWING

This drawing is the property of Rev-A-Shelf (RAS) and is disclosed in confidence to the extent its subject matter is original to RAS. Any vendor receiving this drawing from RAS shall hold and use this drawing for the sole benefit of RAS and shall not disclose it to, or use or reproduce it for any third party, or perform any act adverse to the interest of RAS with respect to this drawing without the express written permission of RAS. Vendors shall not revise any physical, dimensional or performance characteristic unless authorized by Rev-A-Shelf Engineering.

| REV. | DATE | BY | DESCRIPTION OF CHANGE |
|------|------|----|-----------------------|
| | | | |
| | | | |

| | | | | | |
|------------|-------------------------|----------|----------------|-------------------|-------------------|
| INCH [MM] | AMERICAN PROJECTION | BY | DATE | REV-A-SHELF, INC. | |
| | | DRAWN | BKT 7/27/22 | SIZE | B 11" WOOD PANTRY |
| TOLERANCES | | MATERIAL | DRAWING NO. | SCALE | |
| MAT. | DEC. | | 448-TP43-11-1 | 0.125 | |
| (WOOD) | .XX ±.03 [.8mm] | FINISH | PART NO. | SHEET OF | |
| (OTHER) | .XX ±.02 [.5mm] | | 448-TPF43-11-1 | 1 2 | |
| (ALL) | .XXX ±.005 [.13 mm] | | | | |
| | FRACTIONS ±1/32 [.8 mm] | | | | |



| MIN CABINET OPENING | |
|---------------------|-------|
| WIDTH | 11.50 |
| DEPTH | 22.50 |
| HEIGHT | 43.50 |

| PRODUCT MAX WEIGHT RATING | |
|---------------------------|--|
| BMHA STANDARD | |

| SLIDE SPECIFICATIONS | | | | |
|----------------------|------------|-----------------|--------------|-------------------|
| SLIDE TYPE | HEAVY DUTY | SLIDE EXTENSION | 527MM | MAX WEIGHT RATING |
| SLIDE CLOSING | SOFT CLOSE | SLIDE LENGTH | 546MM | |
| SLIDE MOUNTING | FLOOR | SLIDE FINISH | METALIC GRAY | |
| | | | | 275 LB |

CUSTOMER DRAWING

This drawing is the property of Rev-A-Shelf (RAS) and is disclosed in confidence to the extent its subject matter is original to RAS. Any vendor receiving this drawing from RAS shall hold and use this drawing for the sole benefit of RAS and shall not disclose it to, or use or reproduce it for any third party, or perform any act adverse to the interest of RAS with respect to this drawing without the express written permission of RAS. Vendors shall not revise any physical, dimensional or performance characteristic unless authorized by Rev-A-Shelf Engineering.

| REV. | DATE | BY | DESCRIPTION OF CHANGE |
|------|------|----|-----------------------|
| | | | |
| | | | |
| | | | |

| | | | | | |
|-------------------------|-------------------------|-----------------|----------|----------------|-------------------|
| INCH [MM] | AMERICAN PROJECTION | DRAWN | BY | DATE | REV-A-SHELF, INC. |
| | | | BKT | 7/27/22 | |
| | | | | | SIZE B |
| | | | | | 11" WOOD PANTRY |
| TOLERANCES | | ANGLES ±1/2° | MATERIAL | DRAWING NO. | SCALE |
| MAT. | DEC. | | FINISH | 448-TPF43-11-1 | 0.150 |
| (WOOD) | .XX ±.03 [.8mm] | | | PART NO. | SHEET OF |
| (OTHER) | .XX ±.02 [.5mm] | | | 448-TPF43-11-1 | 2 OF 2 |
| (ALL) | .XXX ±.005 [.13 mm] | | | | |
| FRACTIONS ±1/32 [.8 mm] | | | | | |