



Note: Warm up time is 10 seconds. After the sensor is connected for the first time, the light will stay on for 10 seconds, then dim. This indicates proper function of the sensor.

Note: If using a Wattage Selectable fixture, wattage must be set to the highest level for proper operation. Hold time and Stand-by dimming level of the sensor can be manually adjusted by dials on the sensor. All other sensor settings are set to factory default and require the optional remote control to change settings.

SAVE THESE INSTRUCTIONS

Introduction

The H12V2SENSORMW is a motion sensor that controls lighting based on movement. This low-profile sensor is designed for field installation into a socket on the bottom side of the fixture.

The MW sensor uses low-power microwave sensing technology that reacts to changes in movement within the coverage area. Once the sensor stops detecting movement and the hold time elapses, lights will go to standby dimming level and eventually to an off after the standby period elapses.

Sensors must directly “see” motion of a person or object to detect them, so careful consideration must be given to the sensor placement. Avoid placing the sensor where obstructions may block the sensor’s line of sight or near metal objects that may cause “reflections” of the signal giving false readings.

Note: If the light is on while setting parameters, the light will blink once to indicate the setting change. Remote control settings “MS”, “CCT” and “o” are not available for use.

What’s In The Box

Available Accessory

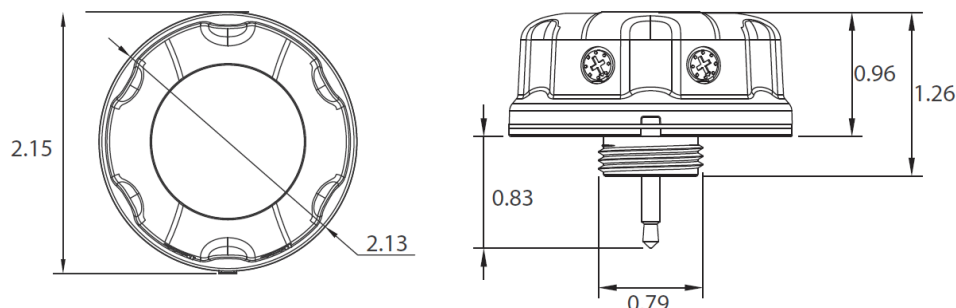


One (1) 12V Microwave Sensor
H12V2SENSORMW



Remote Control
H12V2REMOTE

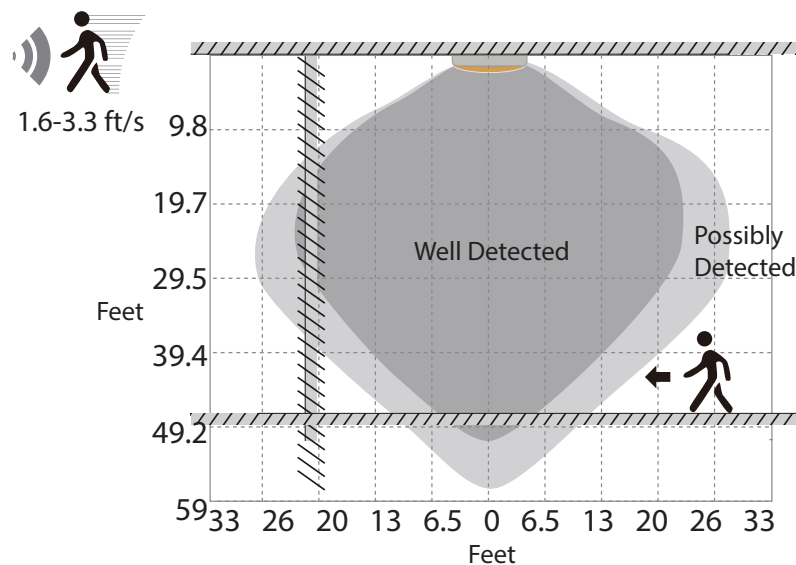
Dimensions



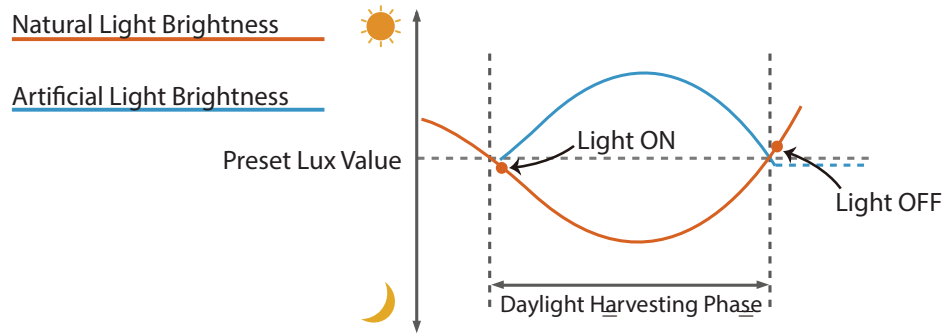
Parameters (default settings in **bold**)

Voltage Input	12-24VDC
Signal	0-10V dimming
Stand-by Power	<30mA
Frequency	5.8GHz ±75MHz
Detection Area	Set by remote control - 20%/50%/75%/ 100%
Installation Height	50ft (15m) max
Hold Time	On-board Switch: 5s/1min/5min/10min Remote Control: 5s/30s/ 1min /3min/5min/10min/20min/30min
Daylight Threshold	Set by remote control (lux)- Disable /2/10/30/50/80/120/200/250/300/350/400/LEN (daylight learning)
Stand-by Dimming Level	On-board Switch: 0%/10%/20%/30% Remote Control: 10%/ 20% /30%/50%
Stand-by Period	Set by remote control - 0/10/30/ 1min /5min/10min/30min/60min/+∞
Dusk/Dawn Sensing/Photocell	Daylight Threshold as: 30/50/80/120/200/250/300/350/400lux Standby Period as : +∞ Standby Dimming as :10%/20%/30%
Daylight Harvesting	1. Press "Daylight Sensor" button and adjust to any value higher than 50 lux 2. Press "Standby Period" then adjust to 0s 3. Press "DH" (Daylight Harvesting" button until the LCD screen shows DH-ON Note: This function cannot be turned off by DH_OFF, but can be turned off by adjusting daylight threshold to "----"
Fixture Brightness	Set by remote control: 100% and adjustable in increments of 5%. Consult fixture spec sheets for exact data.
Environmental Requirements	In accordance with CE ROHS
Working Temp	-40°F to 158°F (-40°C to +70°C)
IP Rating	IP65

Detection Coverage



Daylight Harvesting



When ambient brightness is lower than reset lux level, the sensor will automatically turn on the lights and control dimming according to the change of the ambient brightness (ie: brighter outside, light is more dimmed)

Lights turn OFF when ambient light is higher than set Lux level.

Dusk/Dawn Function

The H12V2SENSORMW is able to differentiate artificial light brightness from natural light after install on the fixture. It will automatically turn off the light when ambient brightness exceeds preset lux levels.

