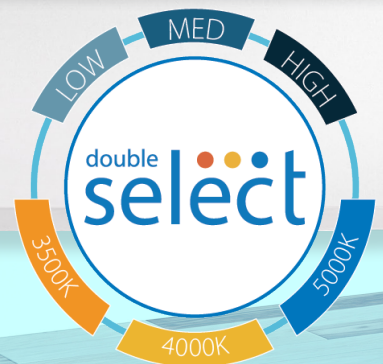


**NICOR®**



# **TGLS3**

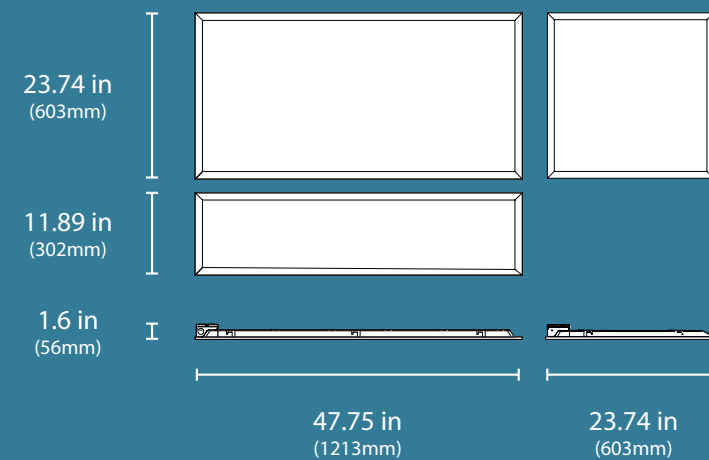
Selectable LED Backlit Troffer

# TGLS3

## Selectable LED Backlit Troffer

The TGLS3 is a contractor grade Troffer that will exceed quality and performance for most commercial spaces. The TGLS3 LED Troffer features a pre-mounted driver and a maintenance-free, fully sealed chamber with seamless aluminum frame to keep bugs and dust out. The fixture utilizes a precision-engineered, textured diffuser to deliver maximum lumen output and optimal uniformity without revealing hot spots or shadowing. Provided with CCT and lumen output selectable options with the choice of 3500K, 4000K, or 5000K CCTs and low, medium, and high lumen output. It is also DLC 5.1 Standard certified, ensuring top of the line quality and performance. The TGLS3 is the perfect lighting solution for offices, hospitals, and other commercial spaces.

### Dimensions



## FEATURES



### Integral Grid Tie Clips

Attached grid clip with wire-tie holes provided for seismic requirements

### Safe Handling

Smooth formed sides for safe handling

### Larger Junction Box

Increased junction box size with seven knockouts for easier wiring



**CRI**  
80+



**Lumens**  
2148-6016



**Lifetime**  
>54000 hrs



**Beam Angle**  
112.2-113.6°

### Light Uniformity

No visible diodes, hot-spots, or shadows providing high uniformity and reduced glare

### Selectable CCT

External switch allows easy CCT Selection: 3500K, 4000K, or 5000K



### Selectable Wattage

External switch allows easy wattage selection: 20W, 30W and 40W for 1'x4' and 2'x2', 30W, 40W and 50W for 2'x4'



### Ordering Information

Example: OWF4080SMVSBZ

Series	Version	Size	Voltage	Controls	EM (Optional)
TGLS	3	14 (1 x 4)	U (120-277V)	Blank (None)	Blank (None)
		22 (2 x 2)		N1 (NLC Controls)	E1 (EMB045)
		24 (2 x 4)			E2 (EMB080)

See spec-sheet for additional ordering information.





## Warehouse Locations

Albuquerque, NM · Buford, GA · Roseville, CA