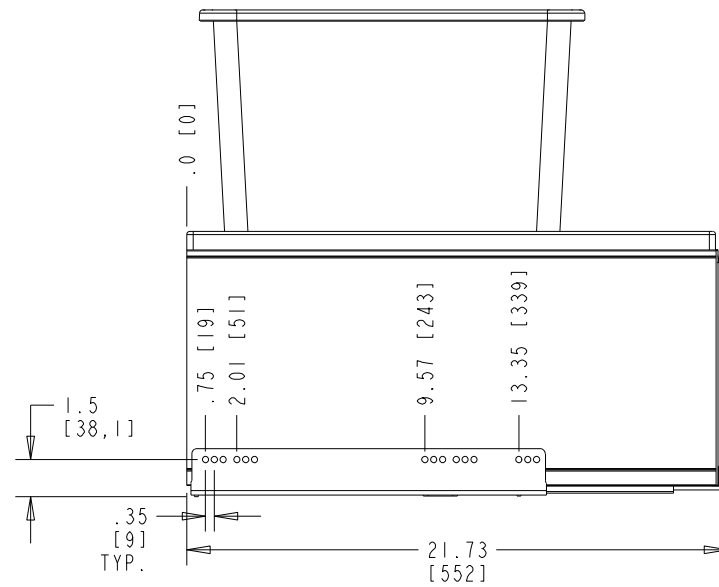
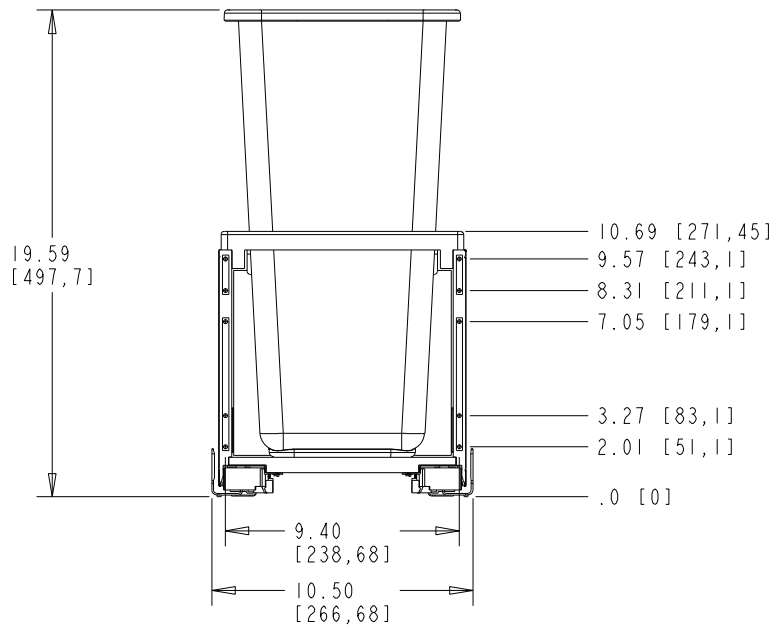
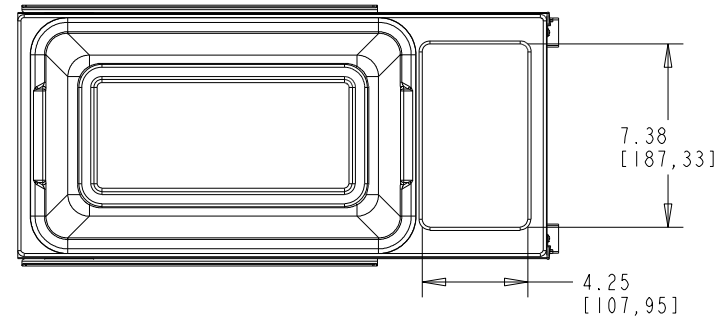


PART NUMBER	WASTE CAN	LEGRABOX FINISH	TOP FRAME FINISH
5LB-1230OGWN-113	30 QT	ORION GRAY	WALNUT - MATTE
5LB-1230SSBL-118	30 QT	STAINLESS STEEL	BLACK - GLOSS



CUSTOMER DRAWING

This drawing is the property of Rev-A-Shelf (RAS) and is disclosed in confidence to the extent its subject matter is original to RAS. Any vendor receiving this drawing from RAS shall hold and use this drawing for the sole benefit of RAS and shall not disclose it to, or use or reproduce it for any third party, or perform any act adverse to the interest of RAS with respect to this drawing without the express written permission of RAS. Vendors shall not revise any physical, dimensional or performance characteristic unless authorized by Rev-A-Shelf Engineering.

REV.	DATE	BY	DESCRIPTION OF CHANGE

INCH [MM]		AMERICAN PROJECTION		BY	DATE	REV-A-SHELF, INC.	
				KRR	10-18-17	SIZE B	LEGRABOX SINGLE 30 FOR 12" FRAMELESS CABINETS
TOLERANCES		ANGLES ±1/2°		MATERIAL		DRAWING NO.	SCALE
MAT. DEC. (WOOD) .XX ±.03 [.8mm] (OTHER) .XX ±.02 [1.5mm] (ALL) .XXX ±.005 [1.3 mm] FRACTIONS ±1/32 [1.8 mm]				FINISH		5LB-1230XXXX-11X.CUST	0.200
						PART NO.	SHEET OF
						SEE CHART	1 2

