

# GTX™ City LED Pedestrian Signals

16 x 18 inch Side by Side -  
Full Hand, Full Person  
PS7-CFC1-VLA



Project Name \_\_\_\_\_

Date \_\_\_\_\_ Type \_\_\_\_\_

Notes \_\_\_\_\_



## EXCELLENT APPEARANCE & VISIBILITY

- Robust LED system design enables high luminous intensity over product life cycle
- Efficient optical system minimizes power consumption while providing excellent uniformity and viewing angles
- Single piece transparent front window with internal masking to prevent:
  - icons display from being readily visible when not in operation
  - scratches and abrasions compared with external silk screen technology
- Bright and clear icons
- New or retrofit use

## OUTSTANDING RELIABILITY & ROBUST OPERATION

- Internal conflict monitor preventing walk and don't walk indications to light up at the same time
- Individual power supply drives each display to ensure proper indication
- Over-molded electrical connectors providing moisture and dust protection

## MEETS RIGOROUS CERTIFICATION & TESTING STANDARDS

- Intertek ETL Verified compliant
- Using MIL-STD-810F and NEMA 250-1991 Type 4 for environmental robustness, passed reliability and qualification testing including high temperature, high humidity cycling (HTHH for 1,000 hours)
- Production quality compliant to Current Six Sigma requirements
- Compliant with ITE PTCSI LED Pedestrian Traffic Signal Modules, dated August 4, 2010



The Greatest Signals Stand the Test of Time.™

# GTX™ City LED Pedestrian Signals

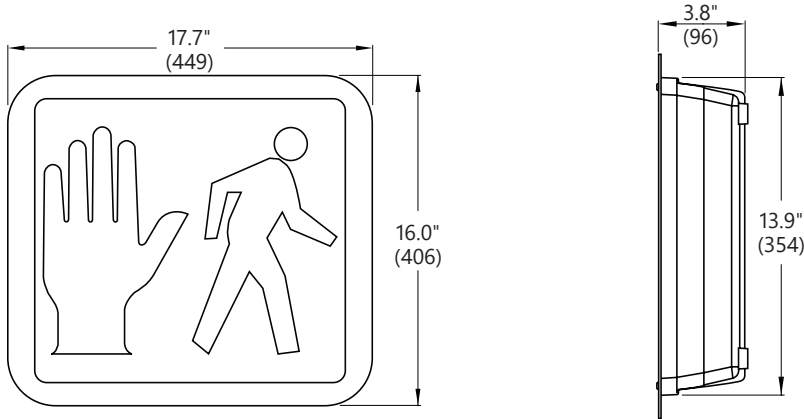
16 x 18 inch module

Project Name \_\_\_\_\_

Date \_\_\_\_\_ Type \_\_\_\_\_

Notes \_\_\_\_\_

## Mechanical Outline Dimensions in inches (mm)



## Design Compliance

Test type	Compliance
Luminous Intensity	A: ITE Pedestrian Traffic Control Signal Indications - LED Pedestrian Traffic Signal Modules - August 4, 2010
Chromaticity	ITE PTC SI- STD- August 2010
Moisture Resistance	Blown Wind Rain MIL-STD-810F method 506.4 - NEMA 250 type 4
Mechanical Vibration	MIL-STD-883 Method 2007 Sec. 2.1.8 NEMA TS 2-2003
Electronic Noise	FCC Title 47 Sec 15 Sub. B <sup>1</sup>
Transient Voltage Protection	ITE PTC SI-STD - August 2010 Sec. 2.1.8 NEMA TS 2-2003
Controller Compatibility	NEMA TS-2-1992
Wiring	National Electric Code

<sup>1</sup> Class A

## Operating Specifications

Parameter	Rating
Operating Temperature Range*	-40 to +74°C (-40 to +165°F)
Operating Voltage Range	80 to 135 V (60Hz AC)
Power Factor (PF)	> 90%
Total Harmonic Distortion (THD)	< 20%
Voltage Turn-Off (VTO)	35 V
Start-up Time	< 75msec
Lens & Shell Material	UV Stabilized Polycarbonate
Wiring	16 AWG, Color Coded with Strain Relief
LED Color	Hand: Portland Orange Person: Lunar White
Conflict Default Condition	Hand only

\* Performed in compliance with ITE test method described in the technical notes

## Product Information

Model Number	Dimensions		Symbol		AC Voltage Nominal	Power (W)		Beam Pattern Degrees	Minimum Luminous Intensity Cd/m <sup>2</sup>	
	Dimensions	Layout	Hand	Person		Hand	Person		Hand	Person
PS7-CFC1-VLA <sup>2</sup>	16 x 18 in	Side by Side	Full	Full	120V - 60Hz	5	5	26	1400	2200

<sup>2</sup> ITE PTC SI

Test Condition: Ta = 25°C. All values are design or typical values when measured under laboratory conditions.

-MB: Compatible with GTE Winkomatic Housing.

Distributed by: