

TAR Select v3

Architectural LED Troffer Retrofit Kit

Product Description

The NICOR TAR Retrofit Troffers are designed to provide a simple, high-performance solution for upgrading existing fluorescent fixtures. Featuring an on-board sensor socket, these retrofit kits allow easy integration of occupancy or daylight sensors for advanced lighting control and energy savings. Each fixture includes four selectable wattage settings to tailor light output to the specific application, providing flexibility for a variety of ceiling heights and environments. With five selectable color temperatures (3000K, 3500K, 4000K, 5000K, and 6500K), users can easily adjust the lighting to achieve the desired ambiance—from warm to daylight white. Engineered for quick and efficient installation, the retrofit design fits seamlessly into standard grid ceilings without the need for major modifications. Delivering high efficiency, long life, and a clean, modern appearance, the NICOR Select Series Retrofit Troffers are ideal for offices, schools, healthcare facilities, and retail spaces seeking to enhance performance and reduce maintenance costs.

Construction

- Durable steel construction with powder coat finish
- High efficiency, maintenance-free LED chamber
- Smooth formed sides for safe handling

Optical System

- Precision engineered PMMA diffuser
- High reflectivity internal coating
- No visible diodes, hot-spots, or shadows providing high uniformity, and reduced glare
- 80 CRI for good color definition in public places

Electrical

- Input voltage of 120-277VAC
- Dim-to-off via 0-10VDC controls with continuous dimming to 10% or below
- Sensor-ready socket for field installable sensors
- CCT and Wattage selector switches accessible on driver
- Power factor > 0.9
- THD < 10%
- Operating temperature range: -4°F to 104°F (-20° to 40°C)

Controls

- Snap-in PIR motion sensor available
 - Multifunction motion, occupancy, daylight functions
- NLC (Network Lighting Controls) sensor available
 - Bluetooth Low Energy (BLE) mesh network providing Luminaire Level Lighting Control (LLLL)
 - Luminaire integrated BLE PIR/Daylight sensor available
 - Configurable with the NICOR NLC app available on iOS and Android devices
 - Provides full dimming control with occupancy and daylight harvesting functions

Mounting and installation

- Unique four rail system minimizes gaps, creating a more seamless look
- Quick and easy single person installation
- Features an integral driver for easy installation
- Seismic wire provided for safe installation and operation
- Suitable for use in IC rated troffer housings

Listings

- cULus 1598 Listed for damp locations
- DLC 6.0 Premium Listing for 1x4 and 2x4 models
- DLC 6.0 Standard Listing for 2x2 model
- RoHS Compliant
- Meets FCC Part 15, Subpart B, Class A standards for conducted and radiated emissions
- TM-21 Reported L90(9k) life >54,000 hours
- LM-79, LM-80 testing performed in accordance with IESNA standards

Warranty

- 5-year limited system warranty standard
- Warranty does not cover product failure due to an overvoltage event (power surge.)

Project

Catalog

Type

Date



TAR3
LED Retrofit Troffer
1x4, 2x2, 2x4
Selectable Wattage & CCT



TAR Select v3

Architectural LED Troffer Retrofit Kit

Ordering

Ordering Information								Example: TAR32434SUS8S	
Series	Version	Size	Wattage Selectable	Voltage	CCT	CRI	Sensor Ready	Emergency	
TAR	3	14 (1' x 4')	28S (28/20/17/14W)	U(120-277V)	S (30/35/40/50/65K)	8 (>80)	S (Sensor Socket)	Blank (none)	
		22 (2' x 2')						E1 (8W)	
		24 (2' x 4')	34S (34/28/20/17W)						

Specifications and dimensions subject to change without notice.

Sensor Accessories	
PIR Sensor	SNAPINSENSORPIR1WH
Remote Control for PIR	SNAPINMWREMOTE
NICOR NLC Sensor	NLCSPSS1WH

Sensor Default Settings	Standard PIR	Bluetooth PIR
Hold Time	20 min	20 min
Standby Dimming Level	30%	50%
Standby Period	30 min	1 min
Sensitivity	100%	100%
Daylight Sensor	Off	Off

Recommended Dimmers*
Lutron NTSTV
Leviton IP710
Cooper SF10P
Legrand RH4FBL3PW

*Not a complete list. Check compatibility before installation.

NLC Controls
See www.nicorlighting.com/network-lighting-controls for more information and NLC Component Data Sheets

Performance Data

Model	Output Setting	Performance Data				Emergency Pack Performance Data
		Nominal CCT	Lumens	Watts	Efficiency	E1 Lumens
TAR314	Minimum	3000	2191	13.8	158.7	1252
		3500	2266	13.6	166.7	1315
		4000	2342	13.4	174.9	1380
		5000	2342	13.6	172.5	1361
		6500	2266	13.8	164.7	1299
	Low	3000	2608	17.2	151.6	1227
		3500	2698	16.9	159.3	1289
		4000	2788	16.7	167.1	1353
		5000	2788	16.9	164.8	1334
		6500	2698	17.1	157.4	1274
	Medium	3000	3007	20.3	148.2	1203
		3500	3111	20.0	155.6	1263
		4000	3215	19.7	163.3	1326
		5000	3215	20.0	161.0	1308
		6500	3111	20.2	153.7	1248
	High	3000	4143	28.9	143.2	1146
		3500	4285	28.5	150.4	1204
		4000	4428	28.1	157.9	1263
		5000	4428	28.4	155.7	1246
		6500	4285	28.8	148.6	1189



TAR Select v3

Architectural LED Troffer Retrofit Kit

Performance Data						Emergency Pack Performance Data
Model	Output Setting	Nominal CCT	Lumens	Watts	Efficiency	E1 Lumens
TAR322	Minimum	3000	2162	14.0	154.4	1235
		3500	2160	13.9	155.9	1247
		4000	2187	13.7	159.7	1278
		5000	2216	13.8	160.5	1284
		6500	2164	14.0	154.2	1234
	Low	3000	2591	17.0	152.4	1219
		3500	2589	16.8	153.9	1231
		4000	2621	16.6	157.7	1261
		5000	2656	16.8	158.4	1267
		6500	2593	17.0	152.2	1217
	Medium	3000	3028	20.0	151.4	1211
		3500	3026	19.8	152.8	1223
		4000	3063	19.6	156.6	1253
		5000	3104	19.7	157.3	1259
		6500	3031	20.0	151.2	1209
	High	3000	4211	28.8	146.4	1171
		3500	4208	28.5	147.8	1182
		4000	4259	28.1	151.5	1212
		5000	4317	28.4	152.2	1217
		6500	4215	28.8	146.2	1170
TAR324	Minimum	3000	2662	17.4	153.2	1226
		3500	2670	17.2	154.9	1239
		4000	2694	17.0	158.2	1266
		5000	2732	17.2	159.0	1272
		6500	2669	17.4	153.1	1225
	Low	3000	3072	20.2	151.9	1215
		3500	3082	20.1	153.6	1229
		4000	3110	19.8	156.9	1255
		5000	3153	20.0	157.7	1262
		6500	3081	20.3	151.8	1214
	Medium	3000	4294	28.6	150.3	1202
		3500	4308	28.3	152.0	1216
		4000	4347	28.0	155.3	1242
		5000	4407	28.2	156.0	1248
		6500	4306	28.7	150.3	1202
	High	3000	5095	34.15	149.2	1194
		3500	5111	33.87	150.9	1207
		4000	5157	33.46	154.1	1233
		5000	5229	33.76	154.9	1239
		6500	5109	34.25	149.2	1194

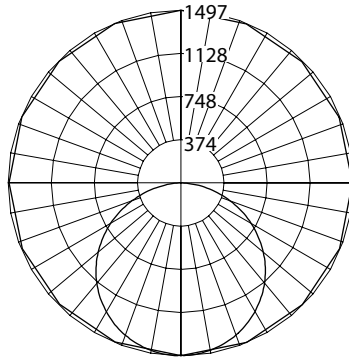
TAR Select v3

Architectural LED Troffer Retrofit Kit

Photometric Data

TAR314 28W 4K

Input Voltage (VAC)	120-277
System Level Power (W)	28.1
Delivered Lumens (Lm)	4428
System Efficacy (Lm/W)	157.9
Correlated Color Temp (K)	3988
Color Rendering Index (CRI)	83
Beam Angle (0)	119.9
Beam Angle (90)	111.7
Spacing Criteria (0)	1.26
Spacing Criteria (90)	1.28



Cone of Light Tabulation

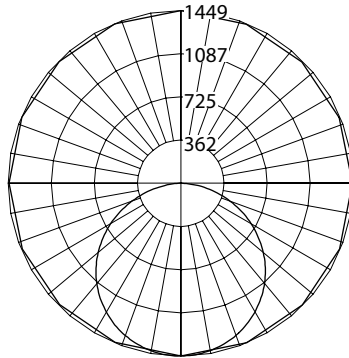
Mounted height (Feet)	Footcandles Beam Center	Diameter (Feet)
8	23.4	27.7
10	14.9	34.6
12	10.4	41.5
14	7.6	48.4

Data Multiplier

TAR31428SUS8S					
	30K	35K	40K	50K	65K
Min	0.495	0.512	0.529	0.529	0.512
Low	0.589	0.609	0.630	0.630	0.609
Med	0.679	0.703	0.726	0.726	0.703
High	0.935	0.968	1.000	1.000	0.968

TAR322 28W 4K

Input Voltage (VAC)	120-277
System Level Power (W)	28.1
Delivered Lumens (Lm)	4259
System Efficacy (Lm/W)	151.6
Correlated Color Temp (K)	4014
Color Rendering Index (CRI)	83
Beam Angle (0)	120.9
Beam Angle (90)	120.9
Spacing Criteria (0)	1.24
Spacing Criteria (90)	1.24



Cone of Light Tabulation

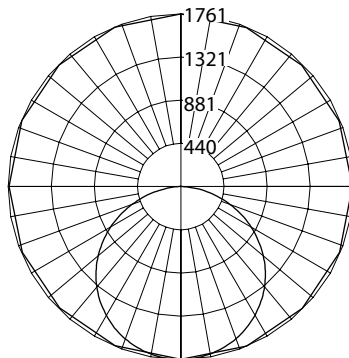
Mounted height (Feet)	Footcandles Beam Center	Diameter (Feet)
8	22.6	28.2
10	14.4	35.3
12	10.0	42.3
14	7.3	49.4

Data Multiplier

TAR32228SUS8S					
	30K	35K	40K	50K	65K
Min	0.508	0.507	0.513	0.520	0.508
Low	0.608	0.608	0.615	0.624	0.609
Med	0.711	0.710	0.719	0.729	0.712
High	0.989	0.988	1.000	1.014	0.990

TAR324 34W 4K

Input Voltage (VAC)	120-277
System Level Power (W)	33.5
Delivered Lumens (Lm)	5160
System Efficacy (Lm/W)	154.0
Correlated Color Temp (K)	4024
Color Rendering Index (CRI)	83
Beam Angle (0)	119.6
Beam Angle (90)	109.0
Spacing Criteria (0)	1.24
Spacing Criteria (90)	1.26



Cone of Light Tabulation

Mounted height (Feet)	Footcandles Beam Center	Diameter (Feet)
8	27.5	27.5
10	17.6	34.4
12	12.2	41.2
14	8.9	48.1

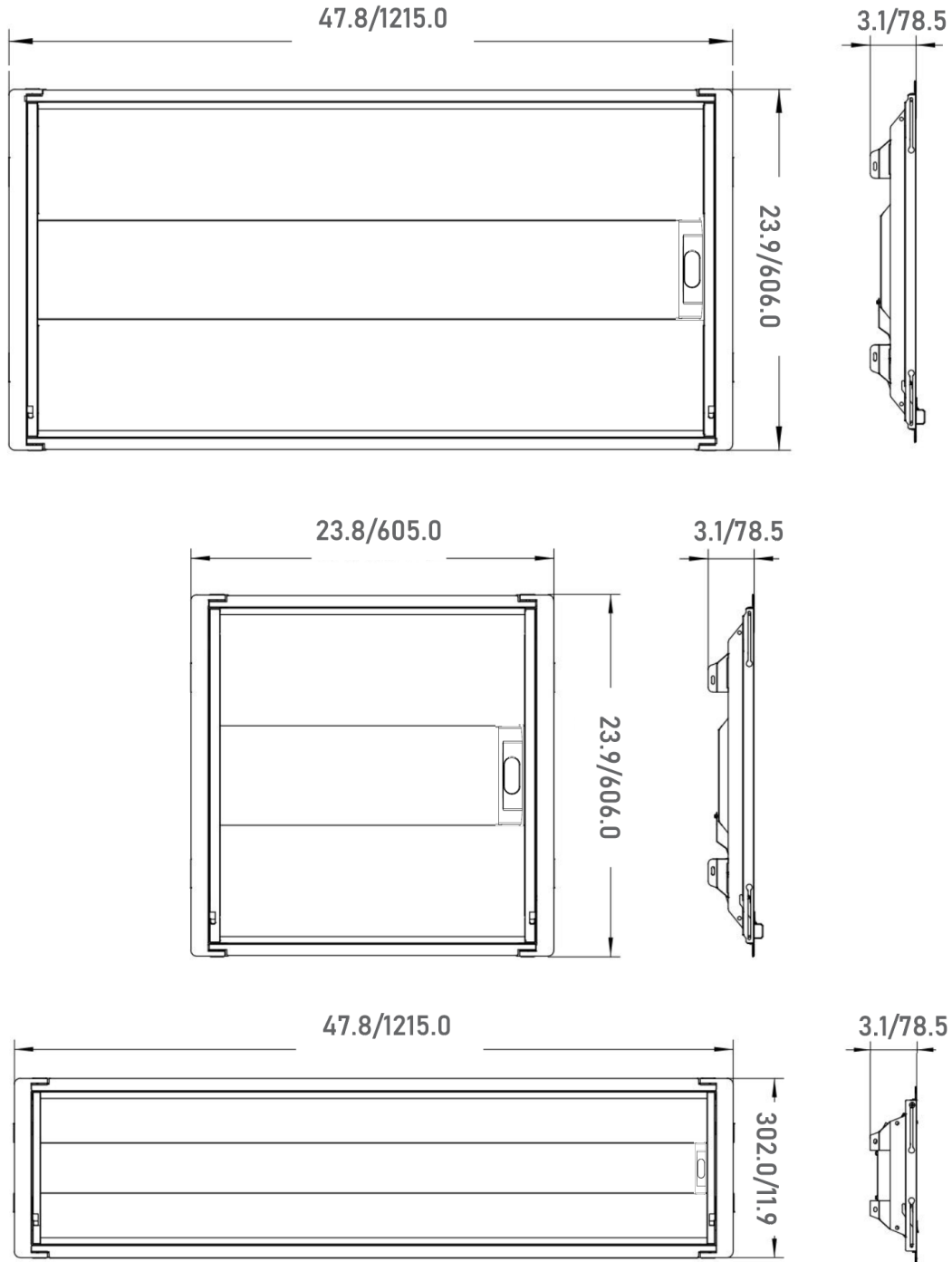
Data Multiplier

TAR32434SUS8S					
	30K	35K	40K	50K	65K
Min	0.516	0.518	0.522	0.530	0.517
Low	0.595	0.597	0.603	0.611	0.597
Med	0.832	0.835	0.842	0.854	0.835
High	0.988	0.991	1.000	1.014	0.991

TAR Select v3

Architectural LED Troffer Retrofit Kit

Dimensions



This device complies with part 15 of the FCC Rules. Operation is subject to the following two conditions: (1) This device may not cause harmful interference, and (2) this device must accept any interference received, including interference that may cause undesired operation.

NOTE: This equipment has been tested and found to comply with the limits for a Class A digital device, pursuant to part 15 of the FCC Rules. These limits are designed to provide reasonable protection against harmful interference when the equipment is operated in a commercial environment. This equipment generates, uses, and can radiate radio frequency energy and, if not installed and used in accordance with the instruction manual, may cause harmful interference to radio communications. Operation of this equipment in a residential area is likely to cause harmful interference in which case the user will be required to correct the interference at his own expense.