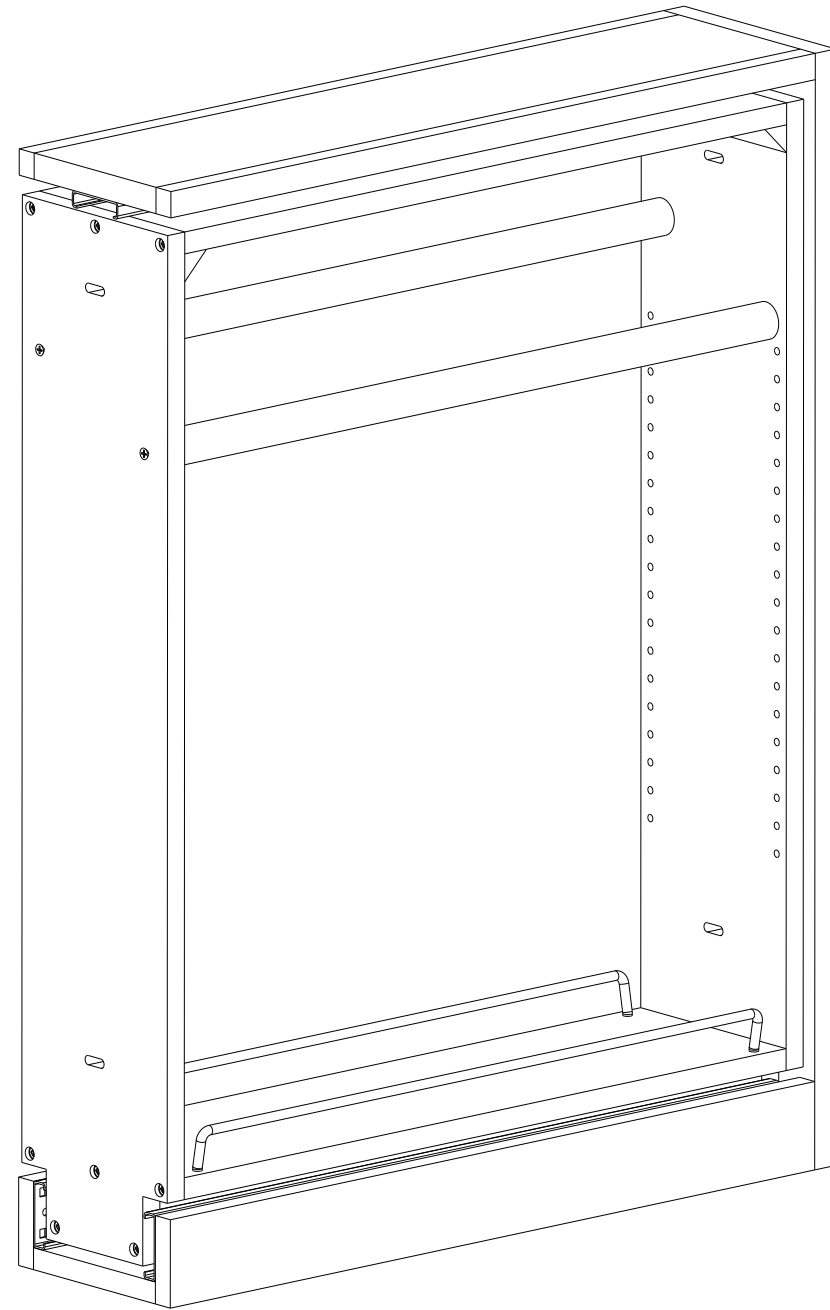


CUSTOMER DRAWING

This drawing is the property of Rev-A-Shelf (RAS) and is disclosed in confidence to the extent its subject matter is original to RAS. Any vendor receiving this drawing from RAS shall hold and use this drawing for the sole benefit of RAS and shall not disclose it to, or use or reproduce it for any third party, or perform any act adverse to the interest of RAS with respect to this drawing without the express written permission of RAS. Vendors shall not revise any physical, dimensional or performance characteristic unless authorized by Rev-A-Shelf Engineering.

REV.	DATE	BY	DESCRIPTION OF CHANGE
A	12-3-19	LKW	ECN19-085

INCH [MM]	AMERICAN PROJECTION	DRAWN	BY	DATE	REV-A-SHELF, INC.
		JCD	JCD	6/28/19	
TOLERANCES					SIZE
MAT. DEC. (WOOD) .XX ±.03 [8mm] (OTHER) .XX ±.02 [5mm] (ALL) .XXX ±.005 [13 mm] FRACTIONS ±1/32 [8 mm]					B
ANGLES ±1/2°					6" TOWEL BAR BASE CABINET FILLER
MATERIAL					DRAWING NO.
FINISH					432TB-BFBBSC-6C
SCALE					0.200
PART NO.					432TB-BFBBSC-6C
SHEET OF					1 2



PART DIMENSIONS	
WIDTH	6.00 [152,4]
DEPTH	23.00 [584,2]
HEIGHT	30.00 [762]

NOTE:
MCO: N/A; MOUNTS BETWEEN CABINETS

SLIDE SPECIFICATIONS				
SLIDE MANUFACTURER	BTL	RELEASE PART NUMBER	N/A	MAX WEIGHT RATING
SLIDE TYPE	BALL BEARING	SLIDE EXTENSION	FULL	
SLIDE CLOSING	SOFT	SLIDE LENGTH	21.57 [548]	N/A
SLIDE MOUNTING	N/A	SLIDE FINISH	ZINC	

CUSTOMER DRAWING

This drawing is the property of Rev-A-Shelf (RAS) and is disclosed in confidence to the extent its subject matter is original to RAS. Any vendor receiving this drawing from RAS shall hold and use this drawing for the sole benefit of RAS and shall not disclose it to, or use or reproduce it for any third party, or perform any act adverse to the interest of RAS with respect to this drawing without the express written permission of RAS. Vendors shall not revise any physical, dimensional or performance characteristic unless authorized by Rev-A-Shelf Engineering.

REV.	DATE	BY	DESCRIPTION OF CHANGE

INCH [MM]	AMERICAN PROJECTION	DRAWN	BY	DATE	REV-A-SHELF, INC.
			JCD	6/28/19	
			SIZE	6" TOWEL BAR BASE CABINET FILLER	
			MATERIAL	DRAWING NO.	SCALE
			FINISH	432TB-BFBBSC-6C	0.200
				PART NO.	SHEET OF
				432TB-BFBBSC-6C	2 2

TOLERANCES
 MAT. DEC.
 (WOOD) .XX ±.03 [.8mm]
 (OTHER) .XX ±.02 [.5mm]
 (ALL) .XXX ±.005 [.13 mm]
 FRACTIONS ±1/32 [.8 mm]

ANGLES
 ±1/2°