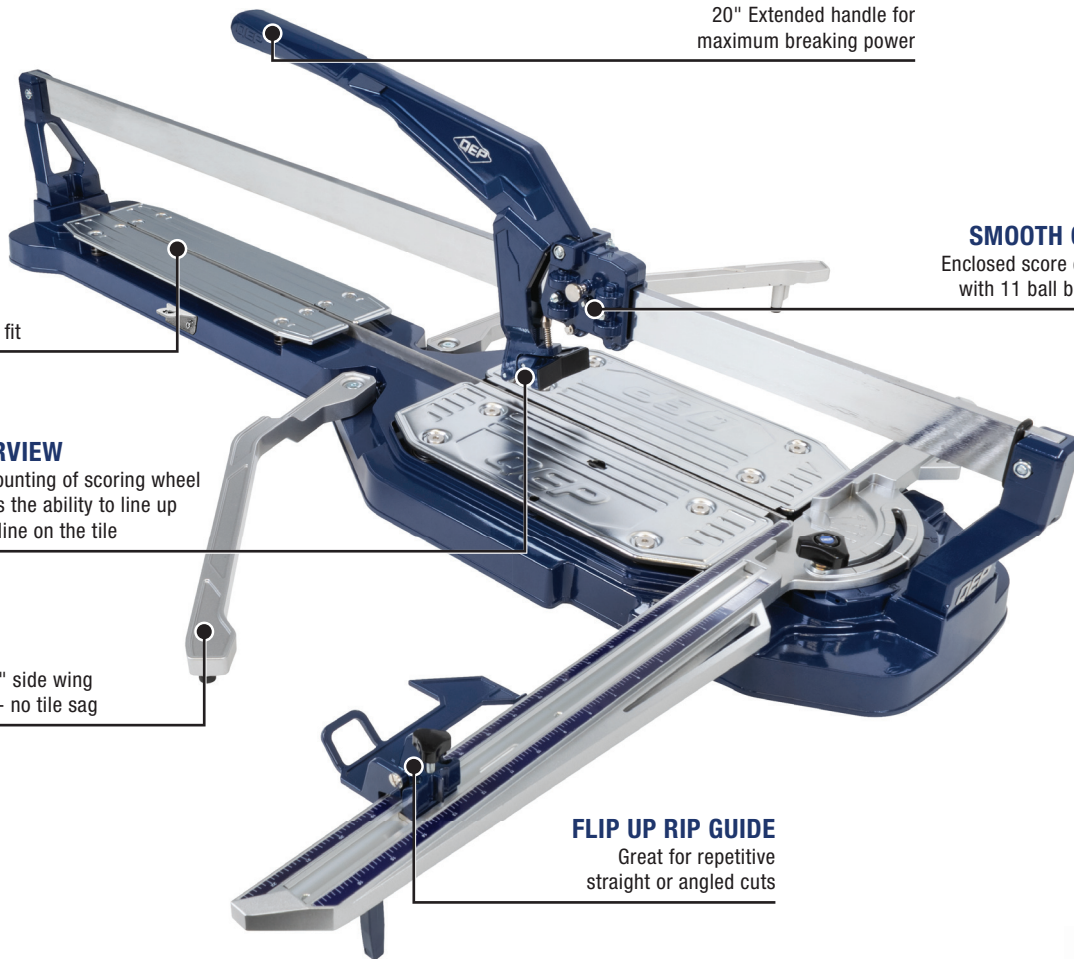




KATANA™

SR-41 Tile Cutter

10410



LEVERAGE

20" Extended handle for maximum breaking power

SMOOTH CUTS

Enclosed score chassis with 11 ball bearings

REAR SPRING PLATE

Includes an extended railing, ensuring secure tile fit

CLEARVIEW

Rear mounting of scoring wheel provides the ability to line up cutting line on the tile



SUPPORT

Full-length 20" side wing support arms - no tile sag

FLIP UP RIP GUIDE

Great for repetitive straight or angled cuts

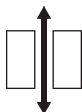


21131
(Scoring Wheel Replacement Sold Separately)

USE:

RIP CUT

10410: Up to 41" Tile



DIAGONAL

10410: Up to 29" Tile



CUTS

Ceramic

TILE DEPTH

Thickness up to 5/8"

Professional Tools for Professional Results

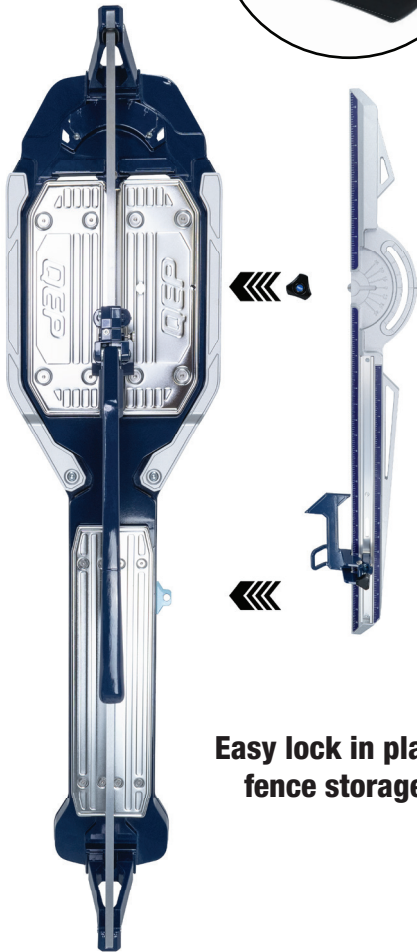
qep.com

J0225-12517



EASY POSITIONING

Fence can be adjusted by turning knob with positive stops at 22.5, 45, and 90°



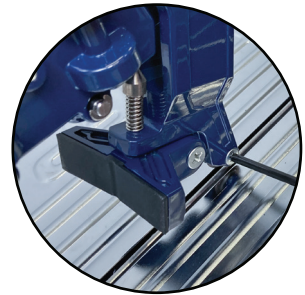
**Easy lock in place
fence storage**



**Fence rotates, providing
multiple cutting angles
and flexibility**



**INCLUDES A CARRYING
BAG WITH WHEELS**



Accessible, standard screw head for fast and easy scoring wheel replacement



SCAN HERE FOR
PRODUCT INFO

The QEP® KATANA™ SR Cutter Series offers smooth cutting for all tile types. The series includes two models: The SR-31 and SR-41, both with an adjustable fence with positive stops at 22.5, 45, and 90 degrees. These cutters have an extended handle for maximum breaking power, an adjustable flip-up rip guide and a full-length 20" spring, loaded side wing support arms, and heavy-duty cast aluminum base with coated steel spring plate makes the KATANA™ Single Rail Tile Cutter Series a preferred choice for professional installers.