

# OTIS UK KING BED - CANOPY

1

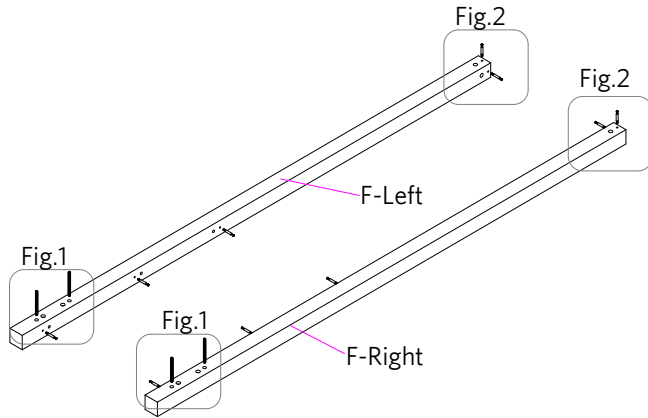


FIGURE 1

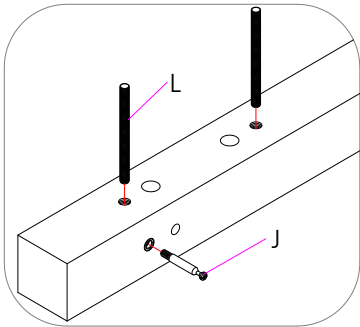
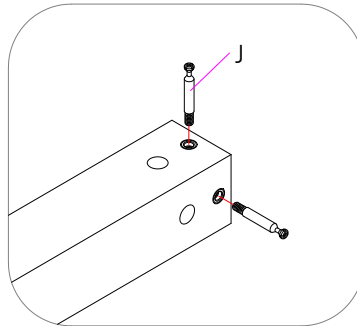


FIGURE 2



2

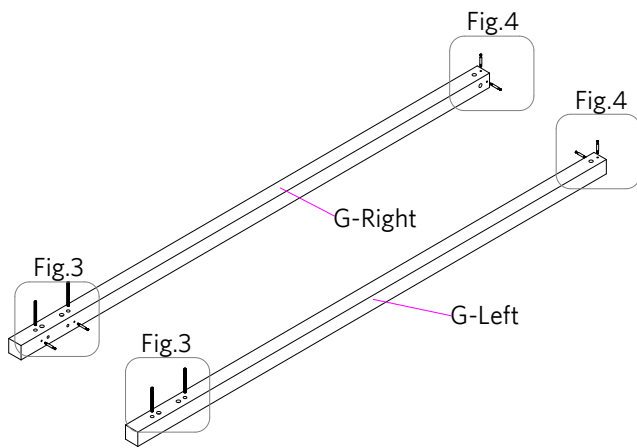


FIGURE 3

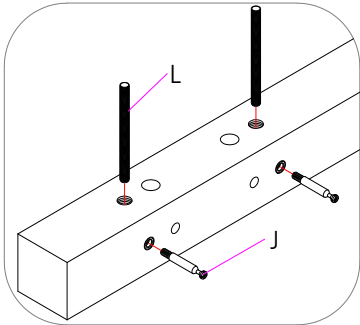
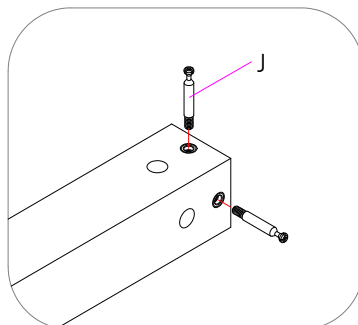


FIGURE 4



A		1
B		1
C		2
D		2
E		13
F		2
	HB post (L&R)	
G		2
	FB post (L&R)	
H		2
	Short canopy	
I		2
	Long canopy	
J		18
K		18



# OTIS UK KING BED - CANOPY

3

FIGURE 5-A

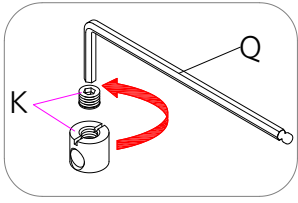


FIGURE 5-B

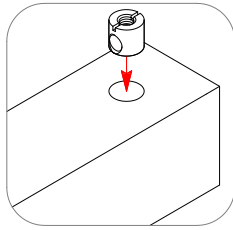
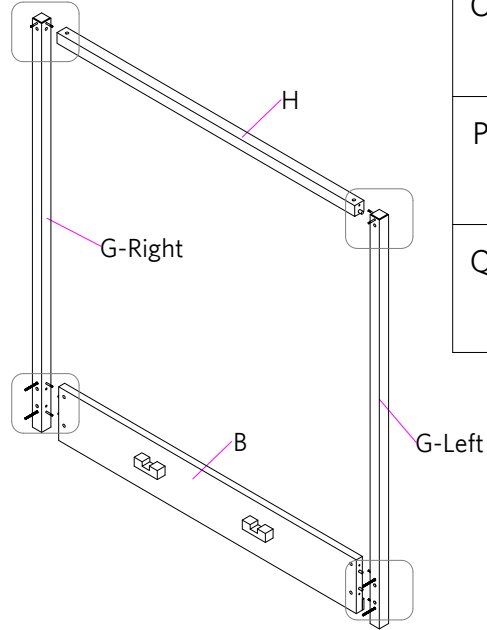
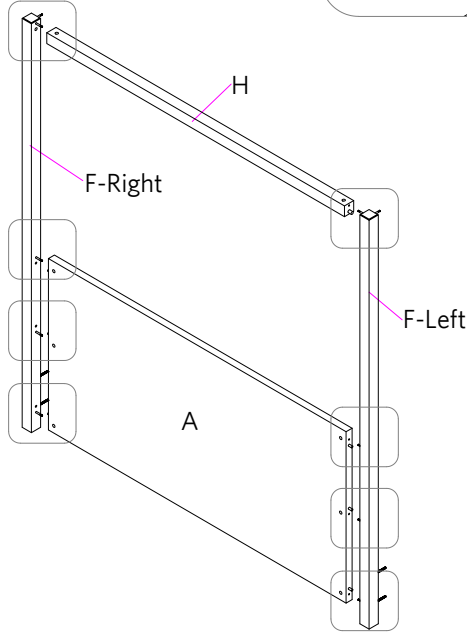
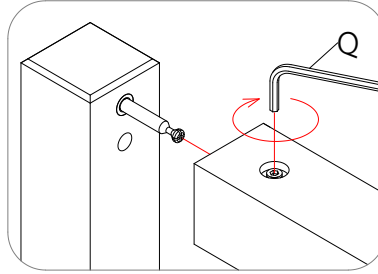

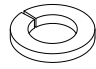

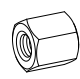




FIGURE 5-C



L		8
M		8
N		8
O		8
P		1
Q		2

4

FIGURE 6

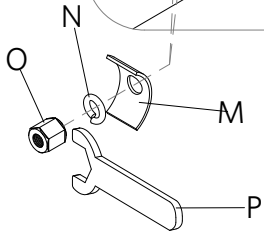
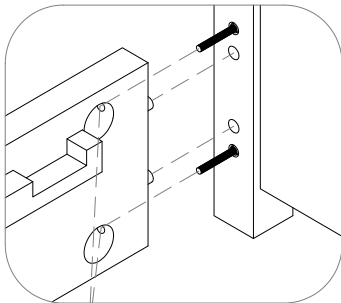


FIGURE 7-B

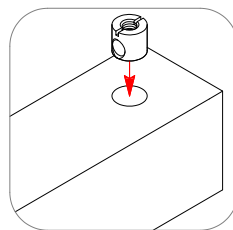


FIGURE 7-A

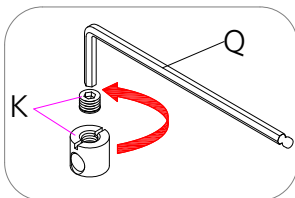
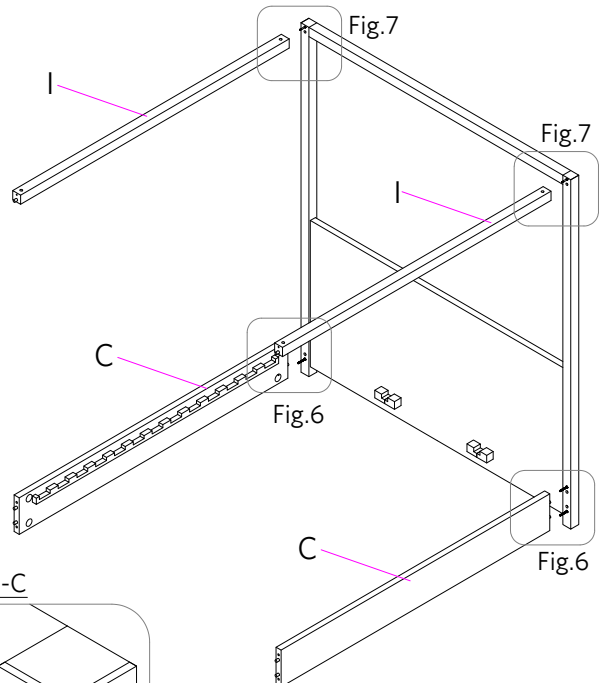
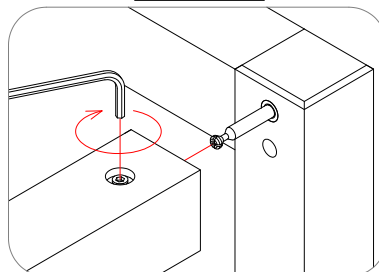


FIGURE 7-C



NOTE: KEEP HOLDING THE CANOPIES DURING NEXT STEP.



# OTIS UK KING BED - CANOPY

5

FIGURE 8

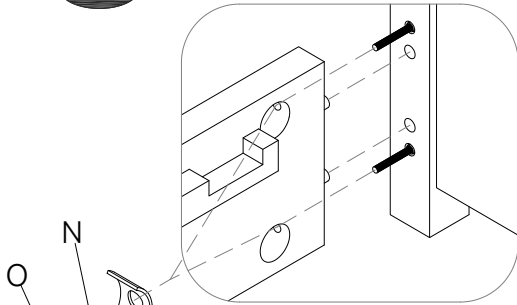


FIGURE 9

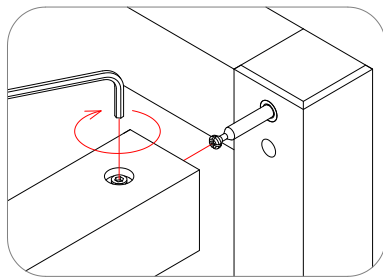
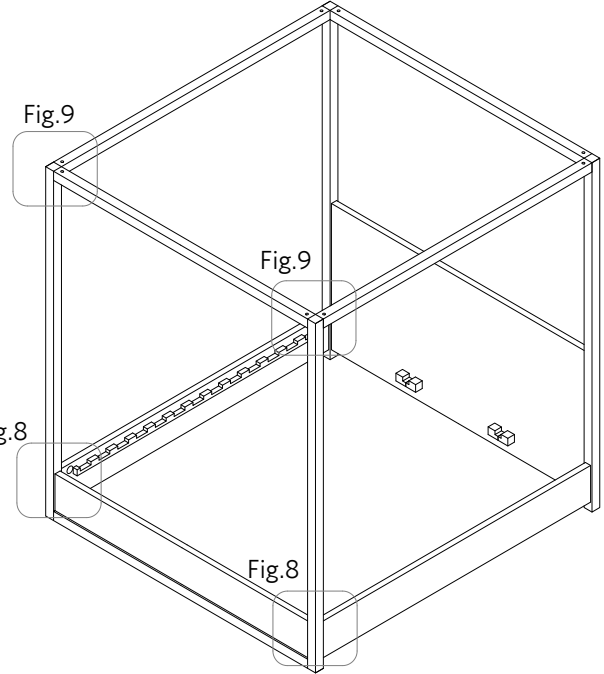


Fig.9

Fig.9

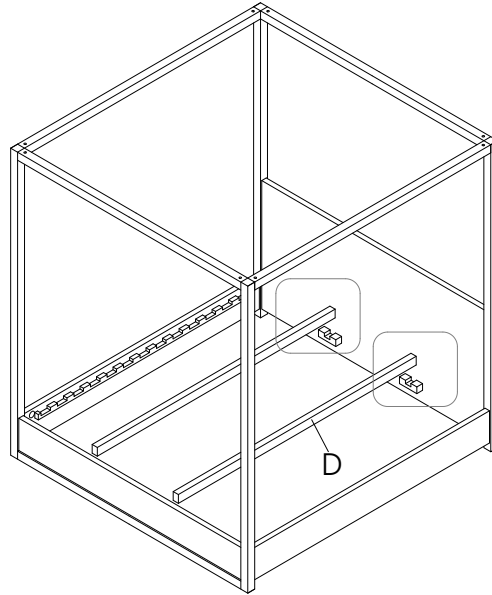
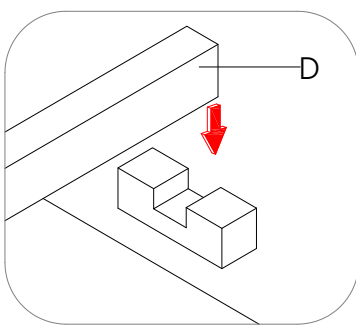
Fig.8

Fig.8



6

FIGURE 10



7

FIGURE 11

