



CUSTOMER NAME _____

Project Name _____

Date _____ Type _____

Catalog Number _____

Lumination® LTC Series LED Track Lights are designed for retail, restaurant, and office applications to deliver superior light where a smaller, less obtrusive fixture is required. Die-cast precision machined housings create a solid, quality product that delights contractors and designers alike. Place the LTC in any setting with field changeable optics, optional accessories and multiple beam angles and colors.

ProLine®

CONSTRUCTION

Housing:	Die-cast and precision machined head
Lens:	Precision designed reflectors and diffusers for optimal efficiency
Paint:	Textured powder coat finish
Weight:	LTC Fixture @ 1 lb. for 9.3W and 13.5W, LTC Fixture @ 3 lb. for 20W

OPTICAL SYSTEM

Lumens:	Up to 1850 lm
Distribution:	Spot (12°), Narrow Flood (17°), Flood (25°), Wide Flood (38°)
Wattage:	Up to 20.6W
Efficacy:	Up to 92.5 LPW
CCT:	2700K, 3000K, 3500K and 4000K
CRI:	90 CRI

ELECTRICAL

Input Voltage:	120V
Input Frequency:	50/60 Hz
Standard Dimming Control:	Phase Dimming
Power Factor (PF)*:	>0.9
Total Harmonic Distortion (THD)*:	<20%

CONTROLS

Dimming: Triac & ELV (Forward & Reverse Phase) dimming standard, down to 10%

LUMEN AMBIENT TEMPERATURE

TYPE	TEMPERATURE RATE
OPERATING TEMPERATURE	-20C to +35C (-4F to +95F)
STORAGE TEMPERATURE	-40°C to +70°C (-40F to +158F)

LUMEN MAINTENANCE

LXX(10K) @ Hours 50,000 HR
L85

MOUNTING

- Track adapters easily twist into track systems for quick installation.
- Compatible with several brands of track systems.

DESIGN LIFE & WARRANTY

- Current's Limited 5-year Warranty:
Please refer to document **IND599** for more information.



Catalog Logic and Accessories

Ordering Information

LTC	ID	A	1					P	Q					
PRODUCT FAMILY	DRIVER TYPE	GENERATION	VOLTAGE	NOMINAL LUMENS		DISTRIBUTION		CRI	CCT		DIMMING	CONTROLS	MOUNTING	FINISH
LTC	ID = Integrated Driver	A = 1 st Generation	1 = 120V	06 = 600lm 10 = 916lm	08 = 750lm 11 = 1100lm 18 = 1850lm	SP = Spot- 12 ° FL = Flood- 25 ° WF = Wide Flood- 38 °	NF = Narrow Flood- 17 ° FL = Flood- 25 ° WF = Wide Flood- 38 °	9 = 90 CRI	27 = 2700K 30 = 3000K 35 = 3500K 40 = 4000K	P = Phase Dimming	Q = none	J1 = Juno 1&2 circuits (compatible with Contech) G1 = Global Ecosystem (GES) 1&2 Circuits L2 = Lightolier Lytespan 1&2 circuits	WHITE= White BLCK= Black	

CLAIMS AT 90CRI

LUMEN CODE	CCT	LUMENS	WATTS	LPW
06*	2700	540	9.3	58
	3000	570	9.3	61
	4000	600	9.3	65
10	2700	870	13.5	64
	3000	916	13.5	68
	4000	940	13.5	70

LUMEN CODE	CCT	LUMENS	WATTS	LPW
08	2700	710	9.3	76
	3000	750	9.3	81
	4000	790	9.3	85
10	2700	1054	13.5	78
	3000	1110	13.5	82
	4000	1139	13.5	84
18	2700	1550	20.6	75
	3000	1850	20.6	90
	4000	1900	20.6	92

NOTE: 3500K same as performance as 3000k

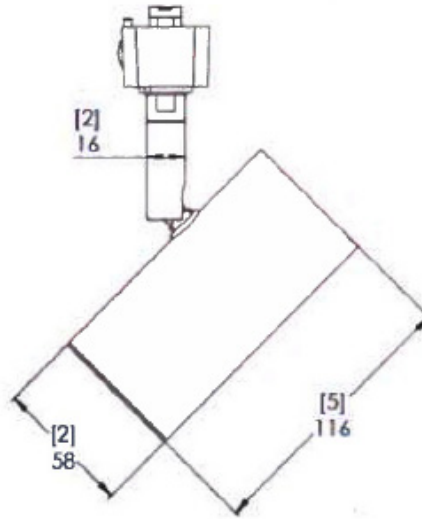
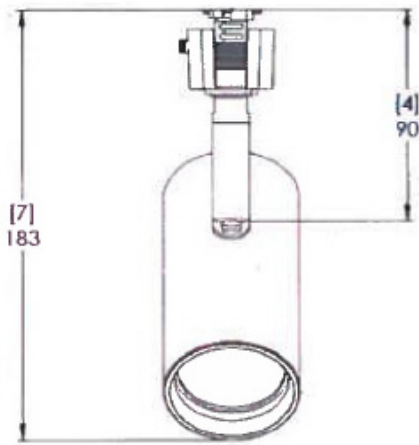
LTC ACCESSORIES

SKU	CAT LOGIC	DESCRIPTION
93042889	LTCSNWHITE	LTC WHITE SNOOT
93042890	LTCSNBLCK	LTC BLACK SNOOT
93043839	LTCHX	LTC HEXCEL LOUVER

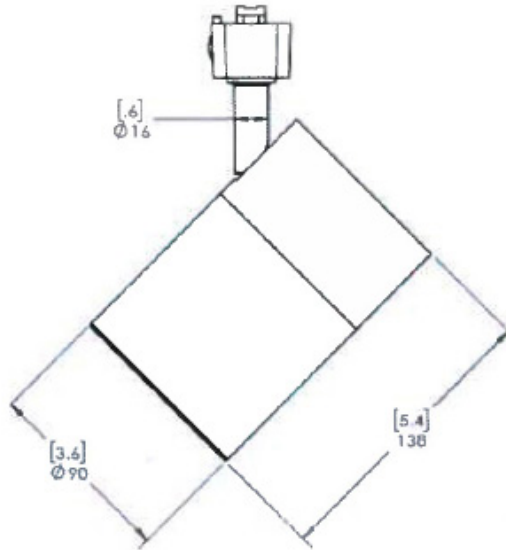
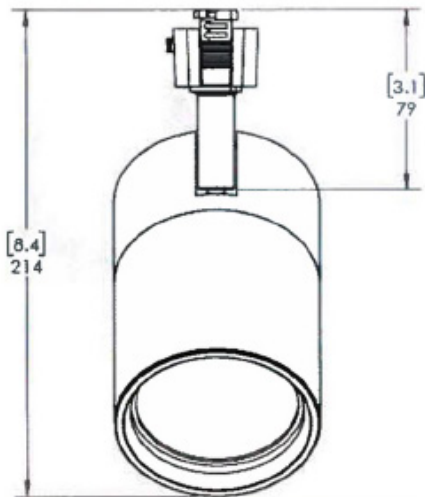
Dimensions

LTC SERIES DIMENSIONS

LTCIDA106 / LTCIDA108 / LTCIDA110 / LTCIDA111



LTCIDA118



Photometric Data

COMPATIBLE DIMMERS & FIELD CHANGEABLE OPTICS: LTC SERIES

COMPATIBLE PHASE-CUT DIMMERS 10%-100% DIMMING RANGE	
DIMMER BRAND	DIMMER MODEL
LEVITON	6673-10 W
	IP106-1LW
	RP106-1LW
	81000-W
	6621-W
	6641-W
	VP106-1LX
	6682
	VPM06-1LX
	6633-PLW
LUTRON	S-603PGH-WH-C
	LX-600PL
	TG-600PNLH-WHCSA
	S-603PGH-WH-CSA
	DNG-600PH-IV-CSA
	DVCL-153P
	DV-600PH-WH-CSA
	SLV-600PH-WH-CSA
COOPER	OS106D1
	D106P-BK-K
	SI061-A-K
	TI061-W-K
	RI-06P-VW-K2
ACENTI UBERHAUS	9530-PT (Rev A)
	EP-003-ATI06-22A 46355006



NOTE: The dimming range will be dependent on each specific dimmer

FIELD INSTALLABLE OPTICAL ACCESSORIES

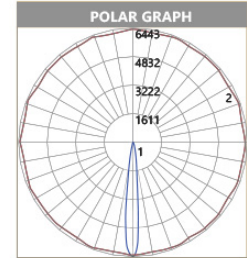
PRODUCT DESCRIPTION	QUANTITY	MATERIAL DESCRIPTION	SKU	DISTRIBUTION
LTC 06/10 SPOT LENS BLACK	10	AK-LTC-GEN1-LE-XX-X0-BLCK-SP-10	93096137	SPOT
LTC 06/10 FLOOD LENS BLACK	10	AK-LTC-GEN1-LE-XX-X0-BLCK-FL-10	93096138	FLOOD
LTC 06/10 WIDE LENS BLACK	10	AK-LTC-GEN1-LE-XX-X0-BLCK-WF-10	93096139	WIDE FLOOD
LTC 06/10 SPOT LENS WHITE	10	AK-LTC-GEN1-LE-XX-X0-WHITE-SP-10	93096140	SPOT
LTC 06/10 FLOOD LENS WHITE	10	AK-LTC-GEN1-LE-XX-X0-WHITE-FL-10	93096141	FLOOD
LTC 06/10 WIDE LENS WHITE	10	AK-LTC-GEN1-LE-XX-X0-WHITE-WF-10	93096142	WIDE FLOOD
LTC 08/11 NARROW LENS BLACK	10	AK-LTC-GEN2-LE -XX-X0-BLCK-NF-10	93096143	NARROW FLOOD
LTC 08/11 FLOOD LENS BLACK	10	AK-LTC-GEN2-LE -XX-X0-BLCK-FL-10	93096144	FLOOD
LTC 08/11 WIDE LENS BLACK	10	AK-LTC-GEN2-LE -XX-X0-BLCK-WF-10	93096145	WIDE FLOOD
LTC 08/11 NARROW LENS WHITE	10	AK-LTC-GEN2-LE -XX-X0-WHITE-NF-10	93096146	NARROW FLOOD
LTC 08/11 FLOOD LENS WHITE	10	AK-LTC-GEN2-LE -XX-X0-WHITE-FL-10	93096147	FLOOD
LTC 08/11 WIDE LENS WHITE	10	AK-LTC-GEN2-LE -XX-X0-WHITE-WF-10	93096148	WIDE FLOOD
LTC 08/11 TESTER	10	AK-LTC-GEN1-LE -XX-X0-XXXX-TESTER	93096149	MISC
LTC 08/11 TESTER	10	AK-LTC-GEN2-LE -XX-X0-XXXX-TESTER	93096150	MISC

Photometric Data

LTCIDA106SP940PQXX

ZONAL LUMEN SUMMARY			
ZONE	LUMENS	% OF LAMP	% OF FIXTURE
0-20	397.63	N.A.	66.3
0-30	463.96	N.A.	77.3
0-40	512.5	N.A.	85.4
0-60	574.91	N.A.	95.8
0-80	596.2	N.A.	99.4
0-90	598.38	N.A.	99.7

LUMINANCE DATA (CD/SQ.M)			
ANGLE IN DEGREES	0°	45°	90°
45°	18212	18022	17946
55°	12140	12046	12093
65°	7443	7316	7443
75°	7791	7687	7791
85°	4935	4427	4319

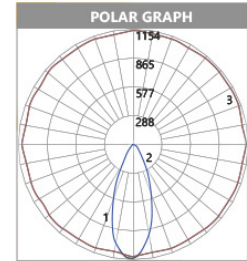


Total Luminaire Efficiency = N.A.%

LTCIDA106WF940PQXX

ZONAL LUMEN SUMMARY			
ZONE	LUMENS	% OF LAMP	% OF FIXTURE
0-20	309.71	N.A.	51.6
0-30	476.55	N.A.	79.4
0-40	549.39	N.A.	91.6
0-60	589.84	N.A.	98.3
0-80	598.38	N.A.	99.7
0-90	598.83	N.A.	99.8

LUMINANCE DATA (CD/SQ.M)			
ANGLE IN DEGREES	0°	45°	90°
45°	11748	12129	12661
55°	5437	5484	5578
65°	3181	3181	3117
75°	2908	2805	2701
85°	617	617	617

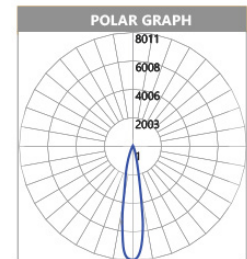


Total Luminaire Efficiency = N.A.%

LTCIDA118FL940PQXX

ZONAL LUMEN SUMMARY			
ZONE	LUMENS	% OF LAMP	% OF FIXTURE
0-20	1377.16	N.A.	72.50
0-30	1649.66	N.A.	86.80
0-40	1759.85	N.A.	92.60
0-60	1862.44	N.A.	98.00
0-80	1897.69	N.A.	99.90
0-90	1900.38	N.A.	100.00

LUMINANCE DATA (CD/SQ.M)			
ANGLE IN DEGREES	0°	45°	90°
45°	29314	28903	28078
55°	20361	20361	19850
65°	17271	16578	16578
75°	10148	10148	9016
85°	10025	10025	6694



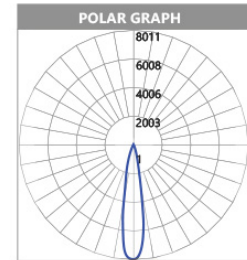
Total Luminaire Efficiency = N.A.%

Photometric Data

LTCIDA118FL940XX

ZONAL LUMEN SUMMARY			
ZONE	LUMENS	% OF LAMP	% OF FIXTURE
0-20	1377.16	N.A.	72.50
0-30	1649.66	N.A.	86.80
0-40	1759.85	N.A.	92.60
0-60	1862.44	N.A.	98.00
0-80	1879.69	N.A.	99.90
0-90	1900.38	N.A.	100.00

LUMINANCE DATA (CD/SQ.M)			
ANGLE IN DEGREES	0°	45°	90°
45°	29314	28903	28078
55°	20361	20361	19850
65°	17271	16578	16578
75°	10148	10148	9016
85°	10025	10025	6694

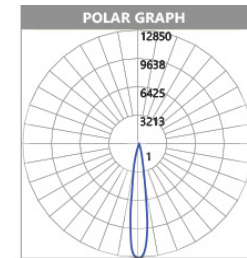


Total Luminaire Efficiency = N.A.%

LTCIDA118NF940XX

ZONAL LUMEN SUMMARY			
ZONE	LUMENS	% OF LAMP	% OF FIXTURE
0-20	1448.19	N.A.	76.20
0-30	1617.07	N.A.	85.10
0-40	1712.45	N.A.	90.01
0-60	1842.97	N.A.	97.00
0-80	1896.67	N.A.	99.80
0-90	1900.54	N.A.	100.00

LUMINANCE DATA (CD/SQ.M)			
ANGLE IN DEGREES	0°	45°	90°
45°	34454	37070	37070
55°	30110	31184	30110
65°	24078	24078	22621
75°	16682	15488	14293
85°	10611	10611	10611



Total Luminaire Efficiency = N.A.%

ProLine®

Every contractor deserves a
Fast, Reliable, and Trusted Lighting Partner



For Product or Technical Questions:

Email: lightingproinfo@gecurrent.com

Phone: +1 888 694 3533, option 2