

Cabinet sign lighting systems

Visibly Better

**Tetra<sup>®</sup> Snap DS**

**GE current**  
a Daintree company

# For those who don't have time to **screw around**

**Tetra® Snap DS**—our most innovative cabinet sign solution ever. Snap is a double-sided module that snaps into a screwless aluminum extrusion, allowing module spacing and brightness levels to be customized on-the-fly. **Tetra® Snap DS** is a one-size-fits-all product for double-sided cabinet signs. Say goodbye to stocking dozens of sticks. Say hello to **Tetra® Snap DS**.

## Bright as a new penny

**Tetra® Snap DS** modules pump out 400 lumens each, and can be installed at three different spacings, for a maximum 1000 lumens per foot. No other cabinet sign product comes close.

## Load 'em up

Load 33 **Tetra® Snap DS** modules per 100W power supply, enough to light a single 64" x 80" sign.

## One product to rule them all

The most flexible product on the market, **Tetra® Snap DS** is suitable for cabinets ranging from 10" to well over 36" in depth, all with the same material.

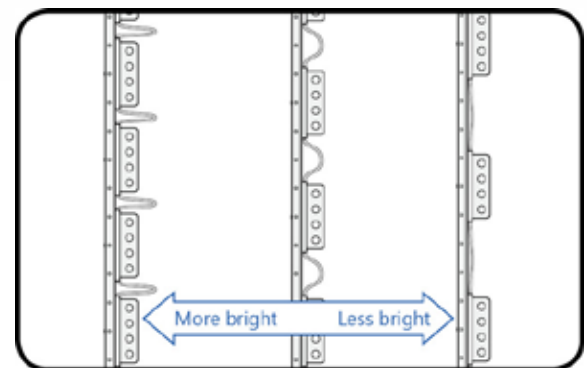
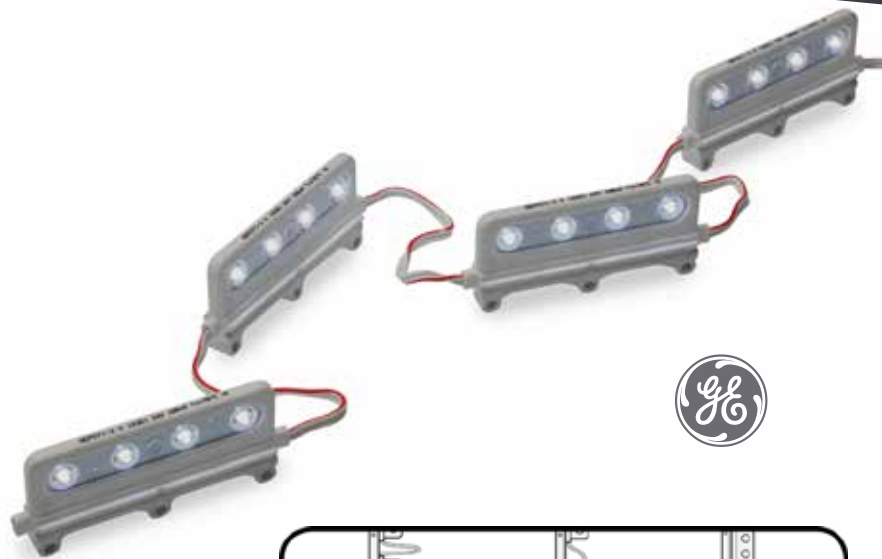
You may be wondering what the catch is. But it only gets better. Here's how to install Snap:

Step 1: Snap modules into extrusion.

Step 2: Install extrusion into sign.

Step 3: Plug in. Enjoy results.

No catch. **Tetra® Snap**.



## Tetra® Snap DS Features

- Wide 170° beam angle
- Efficacy: 153 lm/W
- 24 Volt DC, Class 2 (UL), Class III (IEC)
- 5-year limited warranty

## Spacing Guidelines

	Depth	Max Stroke
Double Sided	10" - <12"	13"
	12" - <14"	16"
	14" - <16"	18"
	>16"	20"

# Brightness Chart

Our Brightness Chart provides a clear explanation of the light levels you can achieve using the same Tetra Snap modules and rail, as well as your customer's predicted\* happiness levels.

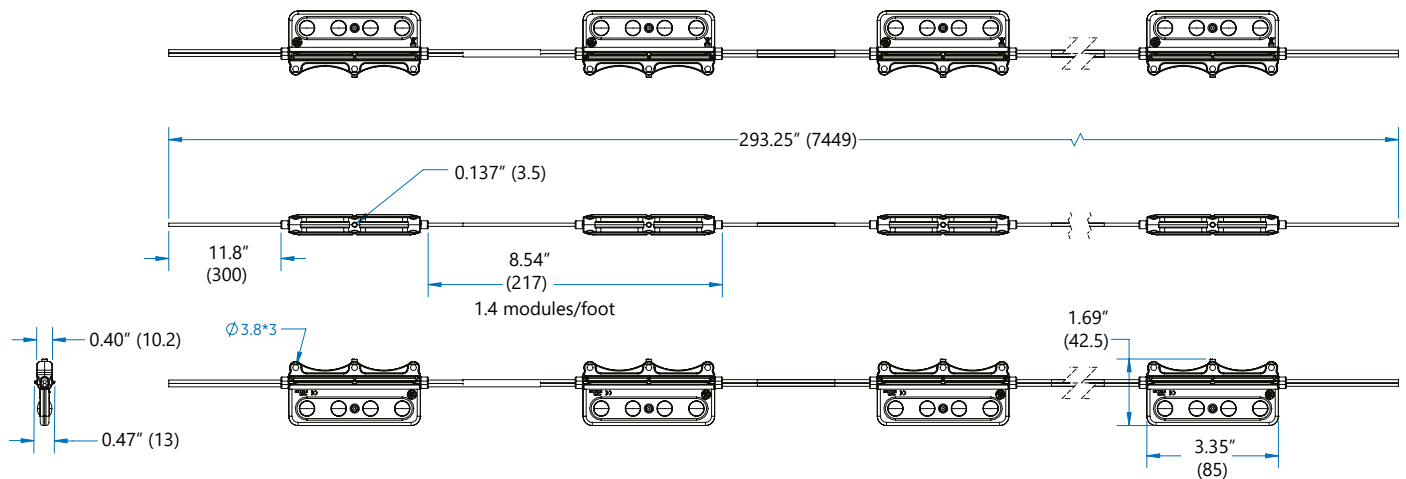
\* Happiness levels estimated by our proprietary artificial intelligence algorithm†

† Marketing manager

Brightness level	Lumens per foot	Your inventory level	Your customer's happiness
Regular output	600	Low	☺
High output	750	Still low	☺☺
<b>Ludicrous mode</b>	<b>1000</b>	<b>Yup, still low</b>	☺☺☺

## Mechanical Outline

Dimensions in inches. Metric equivalent (mm).



## Accessories

SKU	Model Number	Description	Package Quantity
93130907	GEDSIC-3	Interconnector (to join two sections of rail)	20
93130908	GEDSTC-3	T-connector (to install perpendicular rails in a grid pattern)	20
93130909	GEDSFE-3	Frame endcap (for mounting directly to sign structures)	40
93130910	GEDSSE-3	Socket endcap (for mounting in existing sockets)	40
93128550	GEDSRL08-3	8 ft. rail	20



GEDSIC-3



GEDSTC-3



GEDSFE-3



GEDSSE-3



GEDSRL08-3

## Module Dimensions

Length	Width	Height
3.35"	1.69"	0.52"

# Components

SKU	Model	Description	Color	Strip Quantity	Box Quantity
93128533	GEDS71-3	Tetra Snap DS 7100K	White	32 modules per strip. 1 strip/bag	7 bags (224 modules) per box
93128534	GEDS65-3	Tetra Snap DS 6500K	Warm White	32 modules per strip. 1 strip/bag	7 bags (224 modules) per box
93128535	GEDS57-3	Tetra Snap DS 5700K	Warm White	32 modules per strip. 1 strip/bag	7 bags (224 modules) per box
93128546	GEDS50-3	Tetra Snap DS 5000K	Warm White	32 modules per strip. 1 strip/bag	7 bags (224 modules) per box
93128547	GEDS41-3	Tetra Snap DS 4100K	Warm White	32 modules per strip. 1 strip/bag	7 bags (224 modules) per box
93128548	GEDS32-3	Tetra Snap DS 3200K	Warm White	32 modules per strip. 1 strip/bag	7 bags (224 modules) per box

# Technical Specifications

Description	Wavelength/ CCT	Typical Brightness Lumens/module	Typical Brightness Lumens/foot	Voltage	LEDs/ Module	Energy Consumption, Module/System (W)	Power Supply Loading	Viewing Angle
Tetra Snap DS	7100K, 6500K, 5700K, 5000K, 4100K	400	Regular output: 600 High output: 750 Ludicrous mode: 1000	24V	8	2.6/3.1	GLX: 32 modules (22.8 ft)/100W PS	170°
	3200K	360	Regular output: 540 High output: 675 Ludicrous mode: 900				GLX2/TT: 33 modules (23.5 ft)/100W PS	

# Additional Specifications

Dimmable	Yes (with dimmable power supply)				
Cutting Resolution	Cut on wire between every module				
Module Spacing	1.4 modules/foot				
Extrusion Spacing	Regular output: 1.5 modules/foot High output: 1.9 modules/foot Ludicrous mode: 2.5 modules/foot				
Power Supply	Tetra 24V DC				
Maximum Supply Wire Limits		<b>18 AWG/0.82 mm<sup>2</sup> Supply Wire</b>	<b>16 AWG/1.31 mm<sup>2</sup> Supply Wire</b>	<b>14 AWG/2.08 mm<sup>2</sup> Supply Wire</b>	<b>12 AWG/3.31 mm<sup>2</sup> Supply Wire</b>
	25W Power Supply	120 ft./36.6 m	-	-	-
	80W Power Supply	20 ft./6.1 m	25 ft./7.6 m	35 ft./10.6 m	40 ft./12.1 m
	100W Power Supply	20 ft./6.1 m	25 ft./7.6 m	35 ft./10.6 m	40 ft./12.1 m
	200W Power Supply	20 ft./6.1 m	25 ft./7.6 m	35 ft./10.6 m	40 ft./12.1 m
300W Power Supply	20 ft./6.1 m	25 ft./7.6 m	35 ft./10.6 m	40 ft./12.1 m	
Operating Environment	-40 °C to +60 °C (-40 °F to +140 °F)				
Module Dimensions (L x W x H)	3.35" x 1.69" x 0.52" (85 mm x 42.5 mm x 13.2 mm)				
Warranty	Limited system warranty of up to five (5) years				
System Certifications	UL Recognized (c-us), UL Classified (c-us), CE, ROHS, IP66, UL Damp Rated				