

Pioneer

TS-WX106B 10" Pre-loaded compact subwoofer system



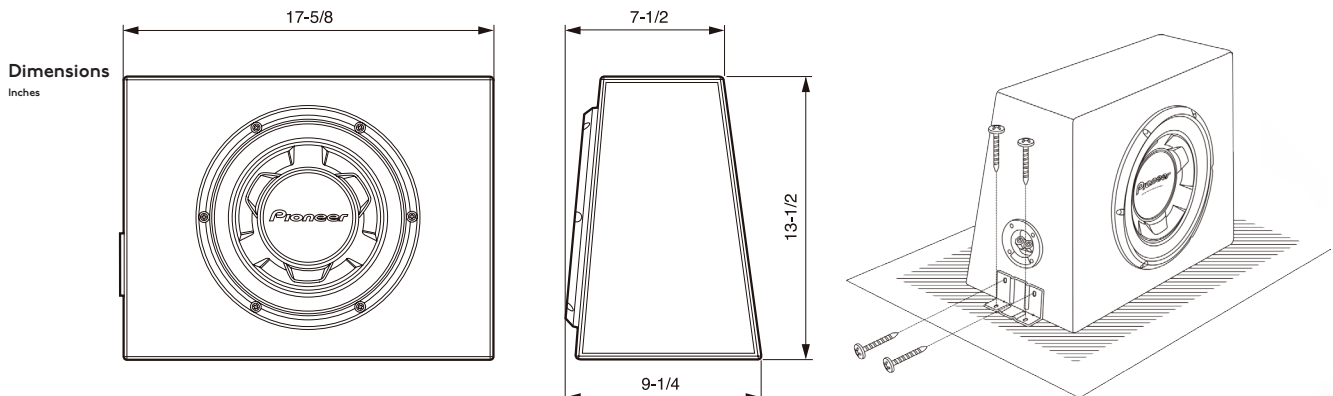
VCCS™
VOICE COIL COOLING SYSTEM

IB™
INJECTION MOLDED CONE

FEATURES AND TECHNOLOGY

- 10" subwoofer
- Passive (non-amplified) design provides system flexibility
- 4Ω Single Voice Coil (SVC)
- Voice Coil Cooling System (VCCS) utilizes the subwoofer motor structure as a heat sink to lower the operating temperature of the voice coil, increasing power handling and enhancing reliability
- Overhung voice coil for high power handling and increased excursion capability
- Extended magnet pole for improved linearity
- Sealed (acoustic suspension) enclosure designed for deep bass extension and smooth frequency response
- Enclosure and subwoofer specifically matched and tuned for high performance
- Designed for high sound quality and high output in a compact, easy to install application

EASILY UPGRADE TO HIGH PERFORMANCE



Pioneer WX-series Pre-loaded Subwoofers	TS-WX1210A (also available)	TS-WX1010A (also available)	TS-WX126B (also available)	TS-WX106B
System Type	Pre-loaded subwoofer (active)	Pre-loaded subwoofer (active)	Pre-loaded subwoofer (passive)	Pre-loaded subwoofer (passive)
Enclosure Type	Acoustic Suspension (sealed)	Acoustic Suspension (sealed)	Acoustic Suspension (sealed)	Acoustic Suspension (sealed)
Sound Pressure Level (Sensitivity)	114dB (± 1.5dB) - measured in-car	112dB (± 1.5dB) - measured in-car	75dB (± 1.5dB)	73dB (± 1.5dB)
Frequency Range	20 Hz to 125 Hz	20 Hz to 125 Hz	20 Hz to 4.1 kHz	20 Hz to 3.7 kHz
Continuous Power Handling (RMS)	350 Watts	300 Watts	300 Watts	250 Watts
Maximum Peak Power Handling	1300 Watts	1100 Watts	1300 Watts	1100 Watts
Nominal Impedance	-	-	4Ω Single Voice Coil (SVC)	4Ω Single Voice Coil (SVC)
Woofer Cone Diameter	12"	10"	12"	10"
Woofer Cone Material	Cellulose Fiber	Cellulose Fiber	Injection Molded Polypropylene (IMPP)	Injection Molded Polypropylene (IMPP)
Woofer Surround	Urethane	Urethane	Urethane	Urethane
Basket Material	Stamped Steel	Stamped Steel	Stamped Steel	Stamped Steel
Spider	Nomex-Cotton	Nomex-Cotton	Conex-Polyester-Cotton	Conex-Polyester-Cotton
Magnet Material	Ferrite	Ferrite	Ferrite	Ferrite
Magnet Weight	34 oz	30 oz	29 oz	29 oz
Voice Coil Former Material	Polyimide	Polyimide	Aluminum	Aluminium
Voice Coil Wire Material	Copper, round wire, 4-layer	Copper, round wire, 4-layer	Copper, round wire, 4-layer	Copper, round wire, 4-layer
Internal Amplifier Power Output	350 Watts	300 Watts	-	-
Maximum Current Consumption	13A	13A	-	-
Low Pass Filter (LPF)	Adjustable 50 Hz to 125 Hz, -12dB/oct.	Adjustable 50 Hz to 125 Hz, -12dB/oct.	-	-
Tone Control	Variable Bass Boost (0 to +12dB, 40 Hz to 100Hz)	Variable Bass Boost (0 to +12dB, 40 Hz to 100Hz)	-	-
Remote	Wired, with Bass Control and Gain Control	Wired, with Bass Control and Gain Control	-	-
Enclosure Width	20-3/4"	17-3/4"	20-1/2"	17-5/8"
Enclosure Height	15"	13-1/4"	15-1/8"	13-1/2"
Enclosure Depth	8-5/8" (top) • 11" (bottom)	7-1/2" (top) • 9-3/8" (bottom)	8-3/8" (top) • 10-3/4" (bottom)	7-1/2" (top) • 9-1/4" (bottom)
Weight	23.4 lb	22.0 lb	16.1 lb	13.7 lb
Enclosure covering material	High impact grey carpet	High impact grey carpet	High impact black carpet	High impact black carpet
Included accessories	Wired remote, power/signal input wiring harness, mounting brackets, mounting screws	Wired remote, power/signal input wiring harness, mounting brackets, mounting screws	Mounting brackets, mounting screws	Mounting brackets, mounting screws



Pioneer pre-loaded subwoofer systems available in additional sizes and applications:

TS-WX70DA, TS-WH500A, TS-WX130DA (active) • TS-A300B (passive) • TS-SWX3002, TS-SWX2502, TS-SWX2002 (passive, shallow)

⚠ WARNING: Over time, your hearing "comfort level" adapts to higher volumes of sound, so that what sounds "normal" can actually be doing harm. To protect against hearing loss, set your equipment's volume at a low setting, slowly increase it until you can hear it comfortably and clearly, and leave it there. Do not turn up the volume so high that you can't hear what's around you.

Protect your investment. Purchase from an Authorized Pioneer Dealer. Only products purchased from an Authorized Pioneer Dealer (or Authorized Pioneer Internet Dealer) qualify for the manufacturer's warranty and manufacturer's rebates. Pioneer Electronics (USA) Inc., Post Office Box 1760, Long Beach, California 90801 | Pioneer Customer Service Department: 1-800-PIONEER

Note: Specifications, designs, and user interfaces are subject to modification without notice. Product colors and illumination may differ in photographs from actual appearance due to effects of printing and photography.

PIONEER, OPEN & SMOOTH and the Pioneer logo are trademarks or registered trademarks of Pioneer Corporation. All other brand, product names, or logos are trademarks or registered trademarks of their respective holders.

2018 TS-WX106B - 1/1/18 v2

©2018 Pioneer Electronics (USA) Inc.

Pioneer Electronics (USA) Inc. proudly supports and encourages you to support the Consumer Technology Association (CTA), Mobile Electronics Certification Program (MECP) for installers and the Specialty Equipment Market Association (SEMA).



CHECK OUT MORE AT PIONEERELECTRONICS.COM/CAR

[FACEBOOK.COM/PIONEERNORTHAMERICA](https://www.facebook.com/pioneernorthamerica)

[TWITTER.COM/PIONEERUSA](https://twitter.com/pioneerusa)

[INSTAGRAM.COM/PIONEERCARAUDIO](https://www.instagram.com/pioneercaraudio)

[YOUTUBE.COM/PIONEERELECTRONICS](https://www.youtube.com/pioneerelectronics)