

Albeo® AHH2 LED Luminaire

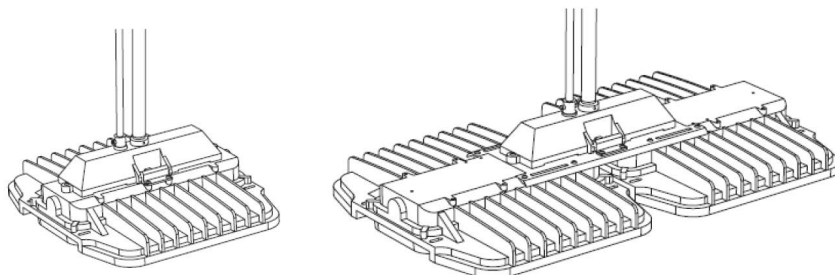
Heavy Industrial Bay Lighting

ALB082



BEFORE YOU BEGIN

Read these instructions completely and carefully.
Save these instructions for future use.



⚠ WARNING/ADVERTISSEMENT/ADVERTENCIA

RISK OF ELECTRIC SHOCK

Turn power off before inspection, installation or removal. Properly ground electrical enclosure.

RISK OF FIRE

Follow all NEC and local codes for the required wiring systems for the specific Hazardous Locations involved.

RISQUES DE DÉCHARGES ÉLECTRIQUES

Coupez l'alimentation avant d'inspecter, installer ou déplacer le luminaire, installer ou déplacer le luminaire. Assurez-vous de correctement mettre à la terre le boîtier d'alimentation électrique.

RISQUES D'INCENDIE

Respectez tous les codes NEC et codes locaux.

This device complies with Part 15 of the FCC Rules, not part of UL Certification. Operation is subject to the following two conditions: (1) This device may not cause harmful interference, and (2) this device must accept any interference received, including interference that may cause undesired operation.
CAN ICES-005 (A) / NMB-005 (A)

Note: This equipment has been tested and found to comply with the limits for a Class A digital device, pursuant to part 15 of the FCC Rules, not part of UL Certification. These limits are designed to provide reasonable protection against harmful interference when the equipment is operated in a commercial environment. This equipment generates, uses, and can radiate radio frequency energy and, if not installed and used in accordance with the instruction manual, may cause harmful interference to radio communications. Operation of this equipment in a residential area is likely to cause harmful interference in which case the user will be required to correct the interference at his own expense.

Save These Instructions

Use only in the manner intended by the manufacturer. If you have any questions, contact the manufacturer.



Prepare Electrical Wiring

Electrical Requirements

The LED luminaire must be supplied with 120-277 VAC or 347/480 VAC, 50/60 Hz per electrical ratings on product label and connected to an individual properly grounded branch circuit.



Grounding Instructions

The grounding and bonding of the overall system shall be done in accordance with the national electric code (NEC) Article 600 and local codes.

Section 1: Unit Installation

Provide at least 12" of clearance from the top of the fixture to any ceiling or surface above.

(A) Carefully unpack unit and properly inspect for defects before installing. Wear work gloves to prevent dirt and oil from being transferred to the luminaire.

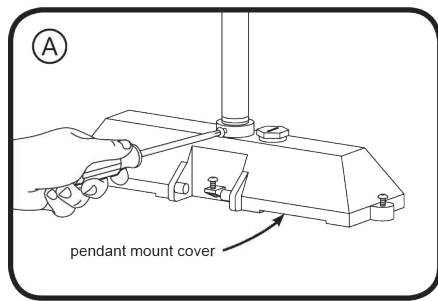
(B) Choose a mounting method: chain or cable, rod mount, or pendant mount.

AHH2-Series Configuration	Max. Weight (lbs.)	
	120-277V	347/480V
Single	21	23
Dual	45	49

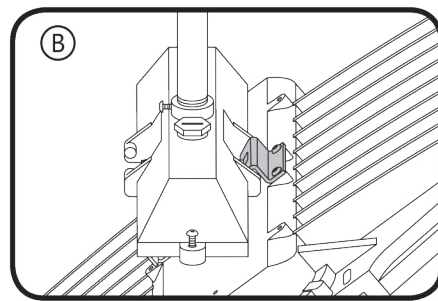
Luminaire Input Power	Black	Live
	White	Neutral
	Green	Safety Ground
Dimming Circuit	Purple	0-10V (+)
	Pink	0-10V (-)

NOTE: For applications requiring the "R" corrosion resistant finish, use mounting hardware appropriate for the environment.

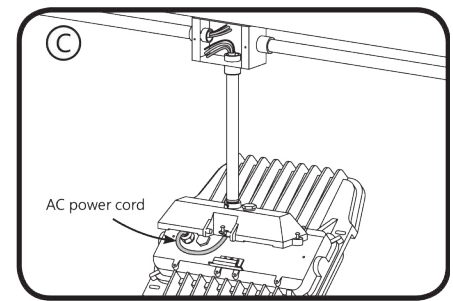
Section 2: Pendant Mounting



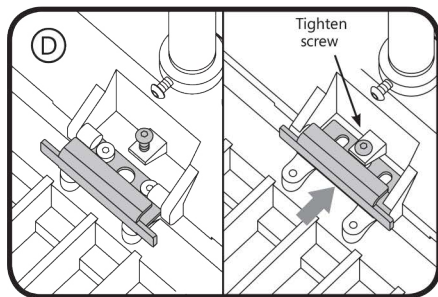
Attach pendant mount cover to 3/4" NPT conduit with at least 3 full threads of engagement. Determine rotation of luminaire and lock orientation in place with provided set screw.



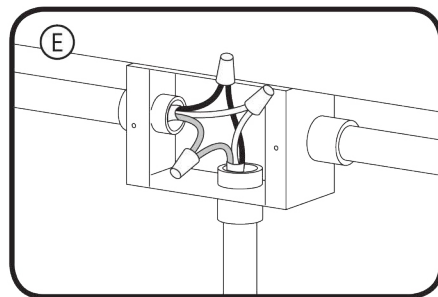
Lift luminaire up and hang on pendant mount cover using hinge piece.



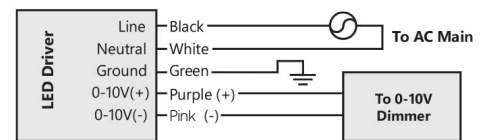
Feed the AC power lead wire through the conduit and into the junction box.



Swing luminaire closed and secure with the slide clip. Lock slide clip in place with screw.

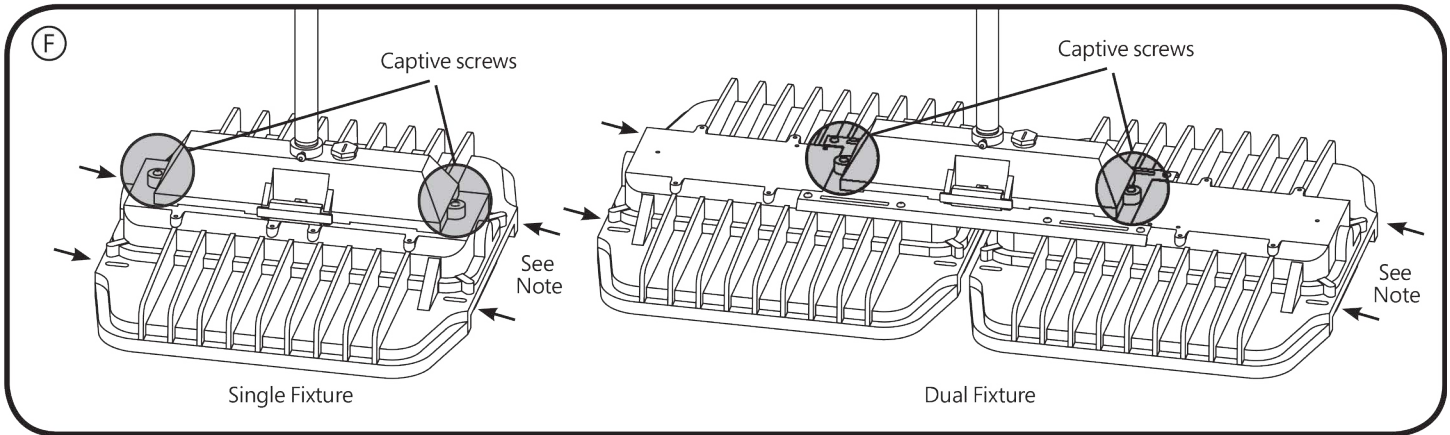


Connect the green (ground), black (line) and white (neutral) wires of the AC line to the similarly colored wires of the luminaire's lead wire using UL listed wire connectors. Close junction box.



For dimming options, connect purple and pink leads to dimming control that is certified and suitable for the hazardous locations involved, rated 0-10V min. A 10V signal corresponds to 100% lumen output. A 0V signal corresponds to ~10% lumen output.

Cap purple and pink leads separately when not used.



Secure pendant mount cover to luminaire by fully tightening the captive screws on the sides of the pendant mount box to the fixture.

NOTE: Safety chains (installer provided) can be used in mounting slots at end of fixture.

Section 3: Trouble Shooting

Symptom	Solution
Luminaire will not turn on	<ul style="list-style-type: none"> • Check that the color of the supply side wires match the color of the wires they are connected to. • Check that all wire connectors are properly connected. • Verify that your input voltage is within specs. • If you are using any additional controls (i.e. dimming wires, motion sensors), please also verify that those are working properly and that the unit is setup to interface with the controllers.

Section 4: Maintenance

- Product should not be disassembled during installation process and/or while installed.
- Lens should be cleaned periodically for maximum lumen output.
- Inspect and clear any build-up on cooling fins periodically for maximum performance.

Questions:

Web: LED.com

Phone: 1-866-855-8629

These instructions do not purport to cover all details or variations in equipment nor to provide every possible contingency to be met in connection with installation, operation or maintenance. Should further information be desired or should particular problems arise which are not covered sufficiently for the purchaser's purposes, the matter should be referred to Current.

Ces instructions ne prétendent pas couvrir tous les détails ou variantes de l'équipement ni couvrir toutes les conditions possibles à satisfaire en rapport avec l'installation, l'opération ou l'entretien. Si des informations supplémentaires sont souhaitées sur des aspects qui ne sont pas suffisamment couverts pour satisfaire les besoins du client, ou si des problèmes particuliers se présentent, veuillez adresser ces questions à Current.

Estas instrucciones no pretenden cubrir todos los detalles o variaciones en el equipo ni para prevenir cualquier contingencia que debe cumplir en relación con la instalación, la operación o el mantenimiento. De ser deseada más información o se surgieran problemas particulares que no están cubiertos suficientemente para los propósitos del comprador, favor de remitirse a Current.