

# Pioneer

USB 3.2 Gen1 (USB Type-C®) / 2.0 Slim Portable BD/DVD/CD Writer  
Graveur de BD/DVD/CD portable mince USB 3.2 Gen1 (USB Type-C) / 2.0

# BDR-XD08UMB-S

Owner's Manual  
Manuel de l'utilisateur



**BDXL**™



Thank you for purchasing this Pioneer product. Before using the drive, please ensure that you read all warnings, cautions, notices, and other important safety information in this owner's manual, which also contains important information including regulatory data, the software license agreement, details on product registration, service procedures, and guidelines on installation and use. Be sure to keep this manual in a safe place.

## Contents

Operating System .....	6
Before Use .....	7
IMPORTANT SAFETY INSTRUCTIONS .....	8
Cautions in Usage .....	11
Features .....	13
Part Names and Functions .....	15
Operations .....	17
Connection .....	19
Downloading and Installing CyberLink Media Suite (with Product Key) .....	21
Useful Functions .....	22
Specifications .....	27
Problems and Solutions .....	29
Others .....	32

## Precautions Regarding Use

- Pioneer accepts no liability for the loss of any data and limits its responsibility for any failure of the product to perform properly as provided in the product's One Year Limited Warranty. It is strongly recommended to regularly back up all critical data.
- Care must be taken not to infringe copyright restrictions under the laws of each country. If this device is used to record copyrighted materials, approval must be obtained from the respective copyright holders. The recording of copyrighted materials without the express approval of the respective copyright holders may result in legal penalties. **YOU ARE RESPONSIBLE FOR YOUR USE OF THIS PRODUCT.** Pioneer disclaims any and all responsibility for any legal damages resulting from the use of this device in the unauthorized copying of copyrighted materials.
- All names of corporations, products, and systems listed herein, even when the (™) or (®) symbols are omitted, are considered the registered trademarks of the respective owners.
- Specifications and the external appearance may be subject to change without notice.
- Images used in this Owner's Manual may be different from actual product.

### **WARNING**

This product's classification has been determined under IEC 60825-1:2014, Safety of Laser Products. This Class 1 product contains a laser diode classified as Class 3B. To ensure continued safety, do not remove any covers or attempt to gain access to the inside of the product. Refer all servicing to qualified personnel.

**CLASS 1 LASER PRODUCT**

The following caution label appears on your unit:  
Location: bottom of the unit

<b>WARNING</b>	CLASS 3B VISIBLE AND INVISIBLE LASER RADIATION WHEN OPEN. AVOID EXPOSURE TO THE BEAM.
<b>AVERTISSEMENT</b>	RADIATIONS LASER VISIBLES ET INVISIBLES DE CLASSE 3B QUAND OUVERT. ÉVITEZ TOUTE EXPOSITION AU FASCEAU.
<b>ADVERTENCIA</b>	CUANDO SE ABRE HAY RADIACIÓN LASER DE CLASE 3B VISIBLE E INVISIBLE. EVITE LA EXPOSICIÓN A LOS RAYOS LASER.

**CAUTION :** USE OF CONTROLS OR ADJUSTMENTS OR PERFORMANCE OF PROCEDURES OTHER THAN THOSE SPECIFIED HEREIN MAY RESULT IN HAZARDOUS RADIATION EXPOSURE.

**CAUTION :** THE USE OF OPTICAL INSTRUMENTS WITH THIS PRODUCT WILL INCREASE EYE HAZARD.

## FEDERAL COMMUNICATIONS COMMISSION DECLARATION OF CONFORMITY

This device complies with part 15 of the FCC Rules. Operation is subject to the following two conditions: (1) This device may not cause harmful interference, and (2) this device must accept any interference received, including interference that may cause undesired operation.

Product Name: BD/DVD/CD WRITER

Model Number: BDR-XD08UMB-S

Responsible Party Name: Pioneer Electronics (USA) Inc.

Address: 2050 W. 190th Street, Suite 100, Torrance, CA 90504

Phone: (800) 421-1404

URL: <https://www.pioneerelectronics.com/PUSA/>

## NOTE

This equipment has been tested and found to comply with the limits for a Class B digital device, pursuant to Part 15 of the FCC Rules. These limits are designed to provide reasonable protection against harmful interference in a residential installation. This equipment generates, uses, and can radiate radio frequency energy and, if not installed and used in accordance with the instructions, may cause harmful interference to radio communications. However, there is no guarantee that interference will not occur in a particular installation. If this equipment does cause harmful interference to radio or television reception, which can be determined by turning the equipment off and on, the user is encouraged to try to correct the interference by one or more of the following measures:

- Reorient or relocate the receiving antenna.
- Increase the separation between the equipment and receiver.
- Connect the equipment into an outlet on a circuit different from that to which the receiver is connected.
- Consult the dealer or an experienced radio/TV technician for help.

## Information to User

Alterations or modifications carried out without appropriate authorization may invalidate the user's right to operate the equipment.



## WARNING

TO PREVENT THE RISK OF ELECTRIC SHOCK, DO NOT REMOVE COVER (OR BACK). NO USER-SERVICEABLE PARTS INSIDE. REFER SERVICING TO QUALIFIED SERVICE PERSONNEL.



## **WARNING**

THIS PRODUCT IS NOT WATER RESISTANT. To prevent a fire or shock hazard, do not place any container filled with liquid near this equipment (such as a vase or flower pot) or expose it to dripping, splashing, rain or moisture.

For PLUGGABLE EQUIPMENT, the socket-outlet shall be installed near the equipment and shall be easily accessible.

## **CAUTION**

This product satisfies FCC regulations when shielded cables and connectors are used to connect the unit to other equipment. To prevent electromagnetic interference with electric appliances such as radios and televisions, use shielded cables and connectors for connections.

# Operating System

---

---

## Operating Environment (Windows®)

### DVD/CD disc recording and playback

- Supported OS: Windows 11, Windows 10, Windows 8.1

### Blu-ray disc recording and playback

- Supported OS: Windows 11, Windows 10, Windows 8.1

### Ultra HD Blu-ray playback

The Intel Software Guard Extensions (Intel SGX) feature is a requirement for the CPU and motherboard firmware to play DRM (digital rights management) protected content on Ultra HD Blu-ray movie discs on a Windows platform.

### Note

Intel SGX has been removed from Intel 11th generation and newer CPUs, and support for SGX may be removed on new versions of Intel drivers or utility programs such as Intel SGX and Intel Management Engine drivers and firmware in the future. Such changes could cause these platforms to lose support for Ultra HD Blu-ray movie disc playback.

- Refer to the Pioneer website for details on playback environments.  
<https://www.pioneerelectronics.com/PUSA/Computer/Computer+Drives/BDR-XD08UMB-S>

The required operating environment may differ depending on the OS or applications used. Please consult with software or OS providers regarding any questions about the OS or applications.

## Operating Environment (macOS®)

- Supported OS: OS X El Capitan® 10.11, macOS Sierra® 10.12, macOS High Sierra® 10.13, macOS Mojave® 10.14, macOS Catalina® 10.15, macOS Big Sur® 11, macOS Monterey® 12

Mac® does not support Ultra HD Blu-ray playback.

# Before Use

## Checking accessories



Owner's manual (including warranty information and application product key)



USB cable (Type-A)



USB exchange cable (Type-A → Type-C)

- Download the application software from the website at [https://jpn.pioneer/cyberlink\\_soft/en.php](https://jpn.pioneer/cyberlink_soft/en.php)  
The application download key (product key) is attached to back of this Owner's manual.
- If any accessories are not included, please contact the dealer from which you purchased this product.
- Please download the Pioneer BD Drive Utility from the Pioneer website.  
[https://pioneer.jp/device\\_e/product-e/ibs/device\\_e/dev00001r\\_e.html#DriveUtility](https://pioneer.jp/device_e/product-e/ibs/device_e/dev00001r_e.html#DriveUtility)

The Drive Utility lets the user configure various drive functions such as adjusting the reading method if correct reading of a music CD is not possible, and setting the PureRead function, which minimizes the occurrence of data interpolation resulting from errors.

For details, refer to "Useful Functions" on page 22.

## Information on the product

<https://www.pioneerelectronics.com/PUSA/Computer/Computer+Drives/BDR-XD08UMB-S>



# IMPORTANT SAFETY INSTRUCTIONS

---

## WARNING

### Measures in the event of abnormalities

- CONTINUING TO USE THE DEVICE UNDER ABNORMAL CONDITIONS, SUCH AS WHERE THERE IS SMOKE, ABNORMAL SMELLS, STRANGE NOISES, OR SIMILAR MAY LEAD TO FIRE OR ELECTRIC SHOCK. IMMEDIATELY REMOVE THE USB CABLE FROM THE DEVICE (IF USING AN AC ADAPTER, UNPLUG THE POWER PLUG FROM THE OUTLET). ENSURE THAT NO MORE SMOKE IS BEING EMITTED, AND CONTACT YOUR DEALER FOR REPAIR. ATTEMPTING TO REPAIR THE DEVICE YOURSELF IS DANGEROUS, AND SHOULD NOT BE ATTEMPTED.
- If water or other foreign matter have entered the device, remove the USB cable from the device (if using an AC adapter, unplug the power plug from the outlet), and contact your dealer. Continuing to use the device may lead to fire or electric shock.
- If the device is dropped or the cover damaged, remove the USB cable from the device (if using an AC adapter, unplug the power plug from the outlet) and contact your dealer. Continuing to use the device may lead to fire or electric shock.

### Operating Environment

- Operating environment temperature and humidity:  
+5 °C to +35 °C (+41 °F to +95 °F); less than 85% relative humidity (ensure cooling vents not blocked)  
Do not install this unit in a poorly ventilated area, or in locations exposed to high humidity or direct sunlight (or strong artificial light).
- Ensure that water does not enter the device, and that it is kept dry. Do not use in locations with high humidity. Doing so may lead to fire or electric shock.
- Do not use in wet locations such as in bathrooms or shower rooms. Doing so may lead to fire or electric shock.

### Installation

- Do not install near any heat sources such as radiators, heat registers, stoves, or other apparatus (including amplifiers) that produce heat.
- Slots and openings in the chassis are for cooling and proper operation of the unit. Do NOT block or cover the openings. Do NOT place this unit on a bed, rug, etc. as this can block the openings. This unit should not be placed in a built-in installation unless properly ventilated.
- To prevent a fire hazard, do not place any naked flame sources (such as a lighted candle) on or anywhere near the equipment.
- Do not place near open flames, such as a fireplace, or heat sources. Doing so may lead to fire or deforming.



### WARNING

- Unplug the USB cable (if using an AC adapter, the power plug) from this device during lightning storms or when unused for long periods of time.
- During operation, do not subject the device to vibration or shock, or plug in or unplug the USB cable (if using an AC adapter, the power plug).
- During operation, do not move or pick up the device. The disc rotates at high speed, and picking up or moving the device may damage the disc. To move the device, first remove the disc, and turn the power off.
- Do not remove the device cover, or modify the device. The interior of the device contains high-voltage parts, and doing so may lead to fire or electric shock. Ask your dealer to carry out any internal inspections, maintenance, and repairs. **This device is a precision instrument, so refer this product to an authorized dealer or service center if disassembly is required.**
- Do not place any objects on this device, which may damage it or cause it to become unstable and fall over or fall off, potentially leading to injury.
- Do not use discs that are cracked, deformed, or have been repaired with glue or other adhesives. Discs rotate at high speed within the device, and in these cases may fly out and lead to injury or damage.
- **DO NOT LOOK INTO THE INTERIOR OF THE DEVICE FROM GAPS IN THE TOP COVER. LIGHT FROM LASERS MAY CAUSE VISUAL IMPAIRMENT TO EYES.**
- Avoid operating or locating this drive near water or other sources of fluid.
- Do not place this product on an unstable cart, stand, or table. The product may fall and become seriously damaged.
- When using this device, ensure that you adhere to the displayed warnings and cautions from your PC manufacturer.

### WARNING

**Ensure you abide by the following precautions, as failure to do so may lead to fire or electric shock.**

- Connect cables to the device only after checking that the cables have not deteriorated and are not damaged. Do not use any cables that have deteriorated or are damaged.
- Do not disassemble or modify the device. Do not allow metal, flammable objects, chemicals, water or other foreign matter to enter the device.
- Ensure that water does not enter the device, and that it is kept dry.
- Ensure it is used with the specified power supply voltage.

## IMPORTANT SAFETY INSTRUCTIONS

---

---

**In the following circumstances, turn off the device power, unplug the PC, and contact your dealer or Pioneer.**

- If the device smokes, or abnormalities such as strange smells or noises are observed.
- If water or foreign objects have entered the device.
- If the device has been dropped or the power cord, plug, or chassis is damaged.

**When using an AC adapter compatible with this device, ensure that you observe the following.**

- Do not place any objects on the power cord or AC adapter cord. Additionally, ensure that the cords do not become trapped under the device. Do not cover the cord with a rug or other items.
- Do not damage, modify, forcibly bend, twist, pull, or heat the power cord or AC adapter cord. Doing so may lead to damage to the cord, which can result in fire or electric shock.
- Do not connect this device to a direct current (DC) power source (such as used on a ship). Doing so may lead to fire or electric shock.
- Do not use AC adapters other than those compatible with this device. Using other AC adapters may lead to fire.
- Do not plug in or unplug the power plug with wet hands. Doing so may lead to electric shock.
- When unplugging the power cord, do not pull on the cord. Doing so may lead to damage to the cord, which can result in fire or electric shock. Ensure that you hold the plug when unplugging.
- Keep the power cord away from heat sources. Failure to do so may cause the insulation on the cord to melt, which can result in fire or electric shock.
- When moving the device, ensure that the power plug is first unplugged from the outlet, and that external connection cords are removed. Failure to do so may lead to damage to the cord, which can result in fire or electric shock.

The indicator symbols used for this product (including accessories) indicate the following:

~ AC (Alternating Current)

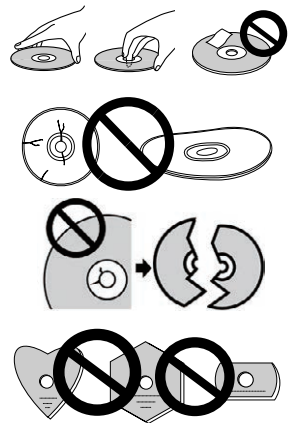
— DC (Direct Current)

## Cautions in Usage

- Do not use in dusty locations, or in locations with high temperature or humidity.
- Do not subject the device to vibration or shock.
- During operation, do not move or pick up the device.
- Beware of condensation. If there is condensation, leave the device for one to two hours for the moisture to evaporate before use.
- Do not inspect or modify the interior of the device.
- Use a soft, dry cloth to wipe any soiling from the exterior of the device. In the case of significant soiling, dilute a neutral cleaner five to six times in water and use this to moisten a soft cloth, wipe the soiling away, then dry with a dry cloth. Do not use volatile chemicals including benzene, thinners, alcohol, or aerosol sprays, as these may damage the surface. Before using chemically treated cloth intended for the care of electronics, carefully read the cautions included with the cloths.
- There are no guarantees regarding data if data is lost while using this device. Ensure you make regular backups of your data for recovery in the case of malfunctions.

### Handling discs

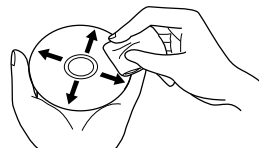
- Do not touch or scratch the signal (shiny) side of the disc.
- Hold the disc either by both edges, or by the center hole and one edge.
- Do not apply stickers or labels to the disc.
- Do not use cracked or significantly warped discs. Doing so may lead to a malfunction in the device.
- When using old or rental discs, check that there are no cracks around the center hole. Centrifugal force from high-speed rotation may enlarge these cracks, causing the disc to break.
- Do not use discs with special shapes (heart-shaped, hexagonal, etc.) or other non-standard discs. Doing so may lead to a malfunction.



## Cautions in Usage

---

- If there is dust or fingerprints on the disc, use a soft cloth to wipe outwards from the center to the outer edge of the disc. Do not wipe using a circular motion on the disc.
- Do not use record spray or antistatic agents. Doing so may damage the disc.



To protect the disc, ensure it is kept in a disc case, and check for soiling or dust on the recording surface before use.

# Features

## Write speed / Read speed

	WRITE SPEED (MAX)*	READ SPEED (MAX)*
BD-ROM (SL/DL)	-	6X
Ultra HD Blu-ray	-	4X
BD-R (SL/DL)	6X	6X
BD-RE (SL/DL)	2X	6X
BD-R (TL/QL)	4X	4X
BD-RE (TL)	2X	4X
BD-R LTH	6X	6X
M-DISC (BD) SL	4X	6X
M-DISC (BD) DL	6X	6X
M-DISC (BD) TL	4X	4X
DVD-ROM (SL/DL)	-	8X
DVD±R (SL)	8X	8X
DVD±R (DL)	6X	8X
DVD-RW	6X	8X
DVD+RW	8X	8X
DVD-RAM	5X	5X
M-DISC (DVD)	4X	8X
CD-ROM	-	24X
CD-R	24X	24X
CD-RW	24X	24X

\* When using a USB 2.0 port, BD writing/reading speed will not achieve 6X.

### Note

- Playback of recorded BD/DVD/CD discs is possible in drives and players that support these formats. Please consult with the respective product manufacturer regarding compatibility.

**To perform high-speed writing, please use media that supports high-speed recording and writing. Refer to the Pioneer website for details.**

[https://pioneer.jp/device\\_e/product-e/ibs/device\\_e/dev00003r\\_e.html](https://pioneer.jp/device_e/product-e/ibs/device_e/dev00003r_e.html)

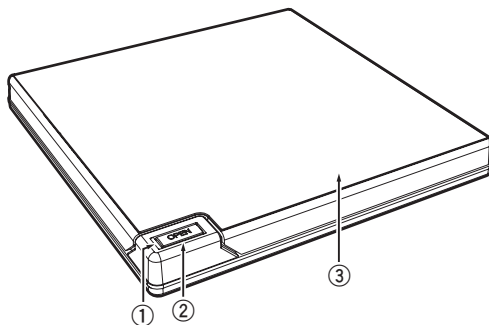
## Features

---

- Dual Disc playback
  - The Dual Disc format can record DVD-standard video and audio on one side, and audio that can be played by a CD player on the other.
  - When inserting a Dual Disc into a playback device or removing it from the device, the surface opposite to the playback side may be scratched. Problems may occur when playing the scratched side.
  - The audio side (non-DVD side) is not compliant with general physical CD standards, and may not play in some cases.
  - The Dual Disc DVD side can be played.
  - For more details on Dual Disc specifications and standards, please contact the distributor or vendor of the disc.

# Part Names and Functions

## Front / Top



### ① Power/Busy Indicator

Operation status is indicated as follows:

During Power ON: Lights dimly

During reading/writing: Lights

During disc cover open/close: Lights dimly

### ② OPEN Button

Press to open the disc cover.

- When this device is connected to a Mac<sup>®</sup> with a disc inserted, this function cannot be used due to macOS<sup>®</sup> specifications. Please check the macOS User Guide for how to operate with a Mac.

#### **PureRead mode display function**

Press and hold the [OPEN] button to see the set PureRead mode. Refer to page 23 for details.

### ③ Disc Cover

Press the [OPEN] button to open the disc cover then place only a BD, DVD or CD disc onto the tray with the label facing up. Close the disc cover gently.

**Do not manually force open the disc cover.**

Use the Forced Open Lever (see next page) to open the disc cover during POWER OFF.

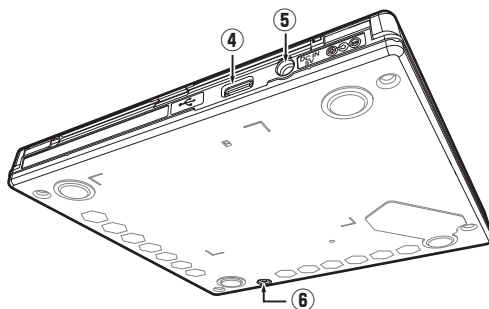


## **WARNING**

Take care not to let your hand or fingers become pinched by the cover.

## Part Names and Functions

### Rear / Bottom



#### ④ **USB Connector**

USB 3.2 Gen1 & USB 2.0 Type-C Connector

#### ⑤ **AC Adapter Connector (DC IN)**

Some computers may not provide enough power through a USB port to operate the drive. An AC adapter (not included) can be connected to the drive through the DC IN connector to provide power. For more details, visit or contact

<https://www.pioneerelectronics.com/PUSA/>

Phone: 1-800-421-1404

**Do not connect any AC adapter other than that specified by Pioneer.**

In the case of emergency (smoke, abnormal smells, strange noises, or similar), immediately remove the power plug from the outlet if safe to do so.

#### ⑥ **Forced Open Lever**

Use to open the disc cover when the drive is not powered. If the disc cover fails to open when the [OPEN] button is pressed, turn the power to the drive OFF and wait approximately one minute until the disc stops spinning before trying to open the disc cover. During normal operation, the [OPEN] button should be used to open the disc cover.



# Operations

---

The unit writes to discs when the supplied software application is installed on your PC. Writing fails if the PC or operating system does not support the software.

## Begin writing to disc

- ① **Connect the supplied USB cable.**
- ② **Turn on the PC.**
- ③ **Press the [OPEN] button, and gently lift the disc cover by hand.**  
When this device is connected to a Mac<sup>®</sup> with a disc inserted, this function cannot be used due to macOS<sup>®</sup> specifications. Please check the macOS User Guide for how to operate with a Mac.
- ④ **Place the disc in the tray with the label facing up.**
- ⑤ **Close the disc cover gently.**
- ⑥ **Start the disc burning application.**

## End the writing session

- ① **Quit the disc burning application.**
- ② **Press the [OPEN] button, and gently lift the disc cover by hand.**  
When this device is connected to a Mac with a disc inserted, this function cannot be used due to macOS specifications. Please check the macOS User Guide for how to operate with a Mac.
- ③ **Remove the disc.**
- ④ **Close the disc cover gently.**
- ⑤ **Shut down the PC.**  
When the lock mechanism is released, the disc cover needs to be fully opened in order to close again.

## Operations

---

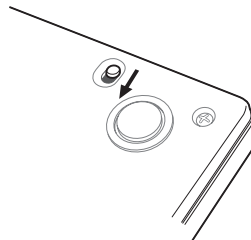
### Manual disc cover open

Use the Forced Open Lever to remove discs if the disc cover fails to open and all other methods have been exhausted.

- ① **Shut down the PC.**
- ② **Wait for the disc to stop spinning.**
- ③ **Slide the Forced Open Lever to open the disc cover.**
- ④ **Gently open the disc cover and remove the disc.**

#### **WARNING**

To prevent injury and damage to the unit, do NOT force the disc cover to open while the disc is spinning.



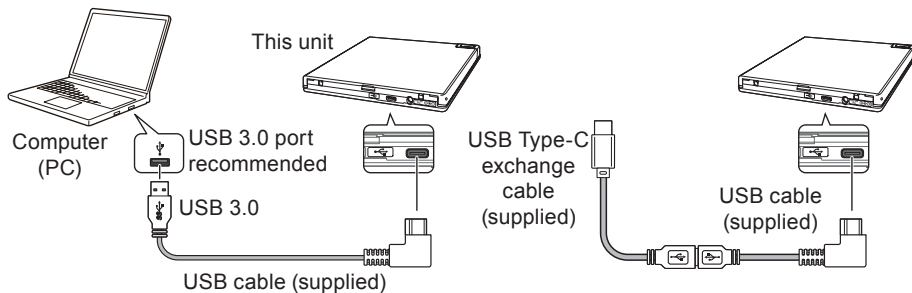
# Connection

This unit can be added without shutting down or rebooting the computer. Connect the unit to the supplied USB cable.

- ① **Confirm that your computer (PC) has an available USB port.**
- ② **With your Windows® or Mac® operating system running, use the supplied USB cable to connect this unit to the PC.**

## Caution

- Do not disconnect the USB cable during data transfers.
- Do not disconnect the USB cable during PC startup or any operation with the unit.



The L-shaped USB cable can connect to the drive in either direction, but when plugged in with the cord extending to the right, the cable blocks the AC Adapter Connector. To avoid damage if using an optional AC adapter, plug in the USB cable so the cord extends to the left.

## Note

- Connection to a USB 3.0 port is recommended, since when a USB 3.0 cable is connected to a USB 2.0 port, the connection will be limited to USB 2.0 performance standards.
- This unit can operate with USB 1.1 but will not provide optimum performance.
- Connecting this unit through a USB hub or using unspecified cables may not achieve proper operation.
- If power is insufficient when using a USB port, connect an AC adapter (not included) through the DC IN connector on the unit's rear panel and plug into a wall outlet to deliver power. Connect the USB cable (included) after connecting the AC adapter for proper operation. For more details about the AC adapter connection, visit or contact <https://www.pioneerelectronics.com/PUSA/>  
Phone: 1-800-421-1404

## Connection

---

- **Do not connect any AC adapter other than that specified by Pioneer.**
- This unit is for use only with compatible UL Listed personal computers that have instructions detailing user installation of USB accessories.
- UL Listed, Class 2 AC Adapter (Output 5 V, min. 1.0 A) must be used.

### Removal procedure

Check that the status shows that the main unit is not being accessed (the indicator LED is not lit brightly), then remove the USB cable.

### Separately sold AC adapter (DCA-003)\*

This device operates using power supplied via the USB connector (bus power). However, use the device by connecting the optional AC adapter (DCA-003) in the following cases:

- When the device does not operate properly, such as when power is not supplied or when discs are not recognized.
  - When using together with other USB devices.
  - When using a USB hub.
- \* The compatible AC adapter (DCA-003) is available for purchase from the following website:  
<https://www.pioneerelectronics.com/PUSA/Computer/Computer+Drives/DCA-003>

# Downloading and Installing CyberLink Media Suite (with Product Key)

CyberLink® Media Suite is compatible with Windows® OS only. It cannot be used with macOS®.

- ① **Visit the website shown on the back of this manual.**
- ② **Review the License Agreement, and click “Agree” to proceed to the CyberLink webpage.**

## Download

- ① **After accessing the download website, sign in with your CyberLink member e-mail address and password.**  
(If you have not registered as a CyberLink member, click “Register now” and register to be a member.)
- ② **After signing in, the product key input screen will be displayed. Enter the provided product key and click “Submit”.**  
The product key is on the back of this manual.  
(The 16-character key printed on the label.)
- ③ **If the product key has been entered correctly, the screen to download the downloader will be displayed. Click the download link to download the downloader.**

### Re-downloading the downloader

After registering the product key on the download website, an e-mail will be sent to your registered CyberLink member e-mail address.

The downloader can be re-downloaded from the Link in the e-mail for 30 days from registration of the product key.

## Installation

- ① **Connect the drive to Windows PC.**
- ② **Run the downloaded file to start downloading the program.**
- ③ **After the download is complete, the installation message will be displayed in the dialog box. Click “Install” to start up the installer.**  
(Even if you do not click “Install”, the installer will automatically start up after 1 minute.)
- ④ **After the installer starts up, follow the instructions on the installer to install the product.**

# Useful Functions

These functions can be used if the Drive Utility is downloaded and installed. For details on other functions in the Drive Utility, refer to the drive utility help page. Please download the Drive Utility from the Pioneer website.

[https://pioneer.jp/device\\_e/product-e/ibs/device\\_e/dev00001r\\_e.html#DriveUtility](https://pioneer.jp/device_e/product-e/ibs/device_e/dev00001r_e.html#DriveUtility)

## Custom Eco function

### Explanation of function

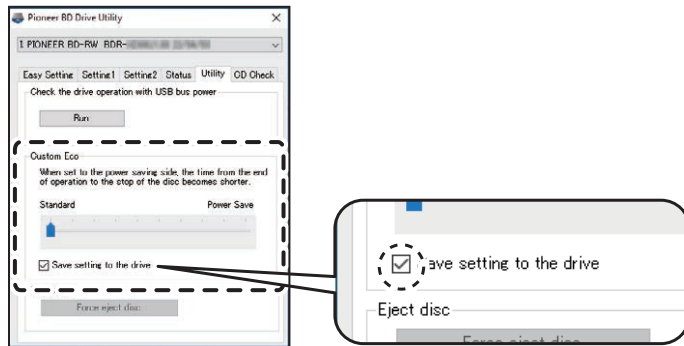
If the drive does not receive any commands (instructions for operation) from the PC for a specified period, this function will reduce the device's power consumption (enter the power saving mode), such as by stopping the disc from rotating or reducing the disc rotation speed. Shortening this specified period will make the device enter the power saving mode earlier.

- If a command is received after entering the power saving mode, the device will require some time to bring the disc back up to high-speed rotation, which means a reduced speed of operation in the interim.

### Using this function

Configure the setting in the "Pioneer BD Drive Utility."

- ① Install the "Pioneer BD Drive Utility."
- ② Start the "Pioneer BD Drive Utility."
- ③ Click the [Utility] tab.



④ **Slide the [ ] under [Custom Eco] to the [Power Save] side.**

There are 10 levels between the standard mode and power saving mode.

⑤ **Select [Save setting to the drive].**

The set values will be saved to the drive. Settings will be retained even after turning off the device power.

**Cautions in usage**

- The default setting is standard mode.
- If power to the drive is turned off without selecting the **[Save setting to the drive]** checkbox, the settings will revert to the previously saved settings.
- In a Windows® environment, the setting can be changed at any time using the Pioneer BD Drive Utility, when the drive is recognized.
- Custom Eco settings can only be changed in Windows. After changing the settings in Windows, the device can be used with a Mac®.

**PureRead****Explanation of PureRead function**

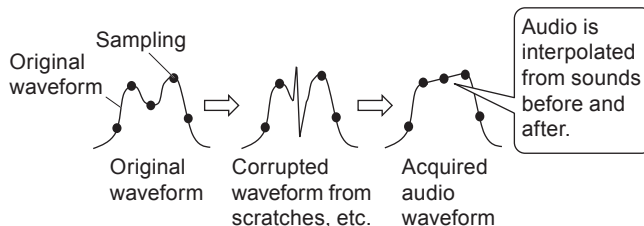
When using this device to read a music CD, you can use PureRead. This function allows the device to work to acquire and reproduce the original sound as much as possible such as by repeatedly reading scratched or soiled parts of the CD. PureRead can be set to the following two modes or turned off.

Master Mode (default setting)	This mode works to acquire and reproduce the original sound as much as possible, but if it encounters audio data that cannot be completely reproduced, it interpolates that data and continues with acquisition.
Perfect Mode	This mode reproduces the original sound, and if it encounters audio data that cannot be completely reproduced, it stops and halts acquisition.
OFF	This mode carries out normal acquisition of music CD data. If there is a scratch that prevents reading, interpolation will occur.

## Useful Functions

### What is interpolation?

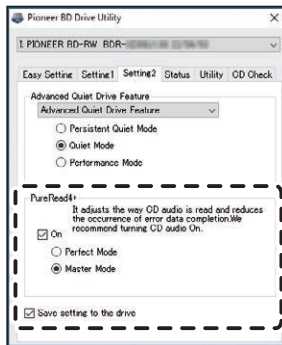
Audio data that cannot be read because of scratches or other damage is created by inference from sounds before and after it. This sound will be degraded compared to the original sound.



## Using PureRead

### [Windows®]

- 1 Install the "Pioneer BD Drive Utility."
- 2 Start the "Pioneer BD Drive Utility."
- 3 Click the [Setting2] tab.



- 4 Select the [On] checkbox under [PureRead4+].



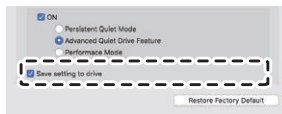
- ⑤ **Select from either [Perfect Mode] or [Master Mode].**
- ⑥ **Select [Save setting to the drive].**  
The set values will be saved to the drive. Settings will be retained even after turning off the device power.

### [Mac®]

- ① **Install "Pioneer BD Drive Utility" (macOS® 10.14 or earlier) or "Pioneer BD Drive Utility Lite" (macOS 10.15 or later).**
- ② **Start "Pioneer BD Drive Utility" or "Pioneer BD Drive Utility Lite."**  
When using "Pioneer BD Drive Utility Lite," operate without a disc inserted.
- ③ **Select the [On] checkbox under [PureRead].**



- ④ **Select from either [Perfect Mode] or [Master Mode].**
- ⑤ **Select [Save setting to drive].**  
The set values will be saved to the drive. Settings will be retained even after turning off the device power.



## Useful Functions

---

### Displaying PureRead mode

With no disc inserted, press and hold the open button for at least two seconds. The busy indicator flashes, and the current PureRead mode setting is displayed.

### Mode display

Master Mode	— ☆☆ — ☆☆ —	Returning to the normal operating state.
Perfect Mode	— ☆☆☆ — ☆☆☆ —	Returning to the normal operating state.
OFF	— ☆ — ☆ —	Returning to the normal operating state.

☆ : Number of flashing, —: Off (One second)

### Cautions in usage

- The PureRead mode display function cannot be used while a disc is inserted in the device and the cover is closed.
- If power to the drive is turned off without selecting the **[Save setting to the drive]** checkbox, the settings will revert to the previously saved settings.
- Changing PureRead with the Drive Utility while using the PureRead mode display function causes the display to be incorrect.

# Specifications

---

## [Installation]

The device can only be installed horizontally.

## [Disc size]

12 cm (4-23/32 in.) / 8 cm (3-9/64 in.)

- Drive does not support non-standard shapes such as business cards, diamond, etc.
- Drive does not support 8 cm (3-9/64 in.) adapter.

## [Transfer rate]

Data reading (sustained)

BD	Max.	27.00 MB/s
DVD	Max.	10.80 MB/s
CD	Max.	3.60 MB/s

Data writing (sustained)

BD	Max.	27.00 MB/s	(6X BD-R)
DVD	Max.	10.80 MB/s	(8X BD-R)
CD	Max.	3.60 MB/s	(24X BD-R)

- The transfer rate may be reduced depending on the condition (scratches, etc.) of the disc.

## [Access time/Seek time]

Access time (random average)

BD-ROM 270 ms	DVD-ROM 270 ms	CD-ROM 270 ms
---------------	----------------	---------------

Seek time (random average)

BD-ROM 250 ms	DVD-ROM 250 ms	CD-ROM 250 ms
---------------	----------------	---------------

## [Others]

Power supply .....	DC +5 V, 1.0 A (AVE)
External dimensions (excluding foot pad) .....	133 mm (W) x 14.8 mm (H) x 133 mm (D) 5-15/64 in. (W) x 37/64 in. (H) x 5-15/64 in. (D)
Weight (Drive only) .....	230 g (0.51 lb)
Operating temperature (Normal humidity) .....	+5 °C to +35 °C (41 °F to 95 °F)
Operating humidity .....	5 % to 85 % (no condensation)
Storage temperature (Normal humidity) .....	-40 °C to +60 °C (-40 °F to 140 °F)
Storage humidity .....	5 % to 90 % (no condensation)
Buffer size .....	4 MB
Power (Standby) .....	0.65 W

## Specifications

---

### [Accessories]

Owner's manual (including warranty information and application product key)

USB cable (Type-A)

USB exchange cable (Type-A → Type-C)

# Problems and Solutions

---

---

Unexpected errors in operation are often thought to be malfunctions. If you think there is a malfunction, check the items below according to the symptoms.

If the abnormality is not resolved even after taking the following measures, please contact your dealer or Pioneer.

Additionally, please consult with the application software manufacturer regarding any problems occurring in the application software.

## The computer or application does not correctly recognize the device

- Is the USB cable or AC adapter connected correctly?
  - Make sure the cable is connected correctly. If you are using a USB hub, the power supply may be insufficient. Connect the USB cable directly to your computer.
- Is the OS compatible with the device?
  - Use an OS that supports this device. (Windows® 11, Windows 10, Windows 8.1, OS X El Capitan® 10.11, macOS Sierra® 10.12, macOS High Sierra® 10.13, macOS Mojave® 10.14, macOS Catalina® 10.15, macOS Big Sur® 11, macOS Monterey® 12)
- Are you using the supplied application?
  - Use the application included with this device.

## Data cannot be recorded/Error occurs during recording

- Is there sufficient space for recording?
- Check that the required application software is installed in the usage environment.
- Check that the operating environment being used meets the specifications for the application software being used.
- Recording on the disc at the selected speed is not possible.
  - Check that the disc supports the different recording speeds.
  - The speed may drop depending on the condition of the disc.
- Are you using a disc that has been finalized (no more recording is possible)?
- Is the disc correctly inserted with the label side facing up and the recording side facing down?
- Is the disc dirty or scratched?

## Problems and Solutions

---

---

### A recorded disc cannot be read

- Is the disc inserted into the disc tray with the label side facing up?
- Are you using a blank disc?
- Is the disc dirty or scratched?
- Check that the required application software is installed in the usage environment.
- Is the device installed in a flat location?
- The optical components or disc may have condensation on them. Therefore, turn the device power off for a period of time and wait for it to fully dry before usage.

For other details on how to record on discs, refer to the manual or help screens for the application software being used.

### For more stable disc recording and playback

The operating temperature range for this product is +5 °C to +35 °C (41 °F to 95 °F). However, recording and playback at normal temperatures is recommended in order to ensure stable recording as well as playback on various players and drives.

### Region codes

The region code for the drive **can be set only five times** (including the initial setting). The region code selected with the fifth setting will be locked as the final region code. Accordingly, take care when changing this code.

- DVD discs that do not have a region code set can be played on all players.

### There are no images. There is no sound.

- Digital output of BD-Video content (output using DVI or HDMI terminals) requires graphics functionality and monitors that support HDCP standards.  
Check that your PC environment supports HDCP standards.  
Playback of BD-Video content and other high-definition videos requires very high processing power. If you encounter phenomena such as frame dropping or choppy audio, it may be possible to prevent this by reducing the load on the PC, either by stopping resident software or using video playback support functionality in the graphics function.  
Review the operating environment, and try playback again with as little load on the PC as possible from other applications.  
Playback of BD-Video content requires periodic updates to the playback software, as the content decryption key has an expiration date. Before playback, ensure that the latest update from the software manufacturer has been applied.
- During DVD-Video title playback, if the playback software counter is counting correctly and audio

is output, but no images are displayed, check the resolution and number of colors of your monitor. The standard settings are 800 x 600 resolution and 16-bit color. Additionally, check that the video card (video chip) drivers are the latest versions, and update if necessary.

If a message such as "Failed to create overlay" is displayed, this indicates insufficient video card performance as above, so set the resolution and number of colors as above.

Furthermore, if your PC has a TV output function, an error message starting with "Macrovision . . ." may be displayed. In these cases, turn off the TV output function.

- If images are displayed but no audio is output, the video may be being output in an audio format not supported by your playback software. Check the audio format recorded with the BD/DVD-Video title, and switch to a supported audio format (surround sound, etc.).
- Media and files such as videos from BD/DVD-Video and digital broadcasting include content protection, and have restrictions on copying and playback. Check that there are no restrictions on the content to be played and on the playback environment.
- For detailed information on Ultra HD Blu-ray playback, refer to the website below.

<https://www.pioneerelectronics.com/PUSA/Computer/Computer+Drives/BDR-XD08UMB-S>

The Intel Software Guard Extensions (Intel SGX) feature is a requirement for the CPU and motherboard firmware to play DRM (digital rights management) protected content on Ultra HD Blu-ray movie discs on a Windows® platform.

### **Note**

Intel SGX has been removed from Intel 11th generation and newer CPUs, and support for SGX may be removed on new versions of Intel drivers or utility programs such as Intel SGX and Intel Management Engine drivers and firmware in the future. Such changes could cause these platforms to lose support for Ultra HD Blu-ray movie disc playback.

## Others

### Warranty and After-Sales Service

#### AFTER-SALES SERVICE FOR PIONEER PRODUCTS

Please contact the dealer or distributor where you purchased the product for its after-sales service (including warranty) or any other information. You may also contact Pioneer Customer Support at 1-800-421-1404 in the U.S. and Canada, or at the address listed below:

**PLEASE DO NOT SHIP YOUR PRODUCT** to the address listed below for repair. Units requiring service must be sent to a different address and with an RMA number. Please contact Pioneer Customer Support or an authorized service company if service is required for your product.

PIONEER ELECTRONICS (USA) INC.

P.O.BOX 1720, Long Beach, California 90801 U.S.A.

### Questions about the included application software

Direct inquiries to the following software manufacturers.

CyberLink Support Center

<https://www.cyberlink.com/support/index.html>

### Trademarks and registered trademarks

- Pioneer and the Pioneer logo are registered trademarks of Pioneer Corporation.
- Windows is a registered trademark of Microsoft Corporation in the U.S. and other countries.
- Mac, OS X El Capitan, macOS, macOS Sierra, macOS High Sierra, macOS Mojave, macOS Catalina, macOS Big Sur and macOS Monterey are registered trademarks of Apple Inc.
- M-DISC is a trademark of Millenniata, Inc.
- BLU-RAY DISC, the Blu-ray Disc logo, BDXL, the BDXL logo and the Ultra HD Blu-ray Disc logo are trademarks of the Blu-ray Disc Association.
- CyberLink is a trademark or a registered trademark of CyberLink Corporation.
- USB Type-C is a registered trademark of USB Implementers Forum.
- All other trademarks belong to their respective owners.





Nous vous remercions d'avoir acheté ce produit Pioneer. Avant d'utiliser le lecteur, assurez-vous d'avoir lu l'intégralité des avertissements, des mises en garde, des remarques, et les autres informations importantes relatives à la sécurité dans ce Manuel de l'utilisateur, qui contient également des informations importantes, dont des données de réglementation, le contrat de licence du logiciel, les détails concernant l'enregistrement du produit, les procédures d'entretien, et les consignes d'installation et d'utilisation. Veuillez à conserver ce manuel en lieu sûr.

## Table des matières

Système d'exploitation .....	5
Avant utilisation .....	6
<b>INSTRUCTIONS IMPORTANTES RELATIVES À LA SÉCURITÉ .....</b>	<b>7</b>
Mises en garde concernant l'utilisation .....	11
Caractéristiques .....	13
Noms des pièces et fonctions .....	15
Opérations.....	17
Connexion .....	19
Téléchargement et installation de CyberLink Media Suite (avec la clé du produit) .....	21
Fonctions pratiques.....	23
Spécifications .....	28
Problèmes et solutions.....	30
Autres .....	33

## Précautions d'utilisation

- Pioneer n'est pas responsable de la perte de données et limite sa responsabilité concernant tout échec du produit à fonctionner correctement comme détaillé dans la garantie limitée du produit d'une durée d'un an. Il est fortement recommandé d'enregistrer régulièrement toutes les données importantes.
- Veillez à ne pas enfreindre les restrictions de droit d'auteur des législations de chaque pays. Si cet appareil est utilisé pour enregistrer des matériels protégés par les droits d'auteur, l'autorisation doit être obtenue des détenteurs respectifs des droits d'auteurs. L'enregistrement des matériels protégés par les droits d'auteur sans l'approbation expresse des détenteurs respectifs des droits d'auteurs peut provoquer des sanctions pénales. **VOUS ÊTES RESPONSABLE DE L'UTILISATION DE CE PRODUIT.** Pioneer décline toute responsabilité pour tous les dommages légaux résultant de l'utilisation de cet appareil dans la copie non autorisée des matériels protégés par les droits d'auteur.
- Tous les noms des corporations, des produits, et des systèmes listés dans le présent document, même quand les symboles (™) ou (®) sont omis, sont considérés comme les marques de commerce déposées des propriétaires respectifs.
- Les spécifications et l'apparence externe peuvent être soumises à des changements sans préavis.
- Les images utilisées dans ce manuel de l'utilisateur peuvent différer du produit réel.



### AVERTISSEMENT

La classification de ce produit a été déterminée sous la norme internationale IEC 60825-1:2014, Sécurité des appareils à laser. Ce produit de classe 1 contient un laser à diode de classe 3B. Pour assurer une sécurité constante, n'enlevez pas les couvercles ou n'essayez pas d'accéder à l'intérieur du produit. Confiez toutes les réparations à du personnel compétent.

**APPAREIL À LASER DE CLASSE 1**

L'étiquette de mise en garde suivante apparaît sur votre appareil :  
Emplacement : dessous de l'appareil

WARNING	CLASS 3B VISIBLE AND INVISIBLE LASER RADIATION WHEN OPEN, AVOID EXPOSURE TO THE BEAM.
AVERTISSEMENT	RADIATIONS LASER VISIBLES ET INVISIBLES DE CLASSE 3B QUAND OUVERT. ÉVITEZ TOUTE EXPOSITION AU FASCEAU.
ADVERTENCIA	CUANDO SE ABRE HAY RADIACIÓN LASER DE CLASE 3B VISIBLE E INVISIBLE. EVITE LA EXPOSICIÓN A LOS RAYOS LASER.



### **AVERTISSEMENT**

POUR ÉVITER TOUT RISQUE D'ÉLECTROCUTION, N'ENLEVEZ PAS LE COUVERCLE (OU L'ARRIÈRE). AUCUNE PIÈCE INTERNE RÉPARABLE PAR L'UTILISATEUR. CONFIEZ TOUTE RÉPARATION À DU PERSONNEL COMPÉTENT.



### **AVERTISSEMENT**

CE PRODUIT N'EST PAS ÉTANCHE. Pour éviter tout incendie ou risque de choc électrique, ne placez pas de récipient contenant de l'eau proche du matériel (tel qu'un vase ou un pot de fleurs) ou ne l'exposez pas aux gouttes, aux éclaboussements, à la pluie ni à l'humidité.

Pour un ÉQUIPEMENT À BRANCHER, la prise doit être installée à proximité de l'équipement et doit être facilement accessible.

### **MISE EN GARDE**

Ce produit est conforme aux réglementations de la FCC lorsque des câbles blindés et des connecteurs sont utilisés pour connecter l'appareil à un autre équipement. Pour éviter des interférences électromagnétiques avec des appareils électriques comme des radios ou des téléviseurs, utilisez des câbles blindés et des connecteurs pour les connexions.

# Système d'exploitation

## Environnement d'exploitation (Windows®)

### Enregistrement et lecture de disque DVD/CD

- Systèmes d'exploitation pris en charge : Windows 11, Windows 10, Windows 8.1

### Enregistrement et lecture de disque Blu-ray

- Systèmes d'exploitation pris en charge : Windows 11, Windows 10, Windows 8.1

### Lecture de Blu-ray Ultra HD

La fonctionnalité Intel Software Guard Extensions (Intel SGX) est une configuration requise pour le processeur et le micrologiciel de la carte mère pour lire le contenu protégé par DRM (gestion des droits numériques) des disques vidéo Blu-ray Ultra HD sur une plateforme Windows.

### Remarque

Intel SGX a été supprimé des processeurs Intel de 11<sup>ème</sup> génération et ultérieurs, et la prise en charge de SGX peut être supprimée sur les nouvelles versions des pilotes ou des programmes utilitaires Intel tels que les pilotes Intel SGX et Intel Management Engine et les micrologiciels à venir. Du fait de ces changements, il est possible que ces plateformes ne prennent plus en charge la lecture de disques vidéo Blu-ray Ultra HD.

- Référez-vous au site Web de Pioneer pour obtenir des détails sur les environnements de lecture.  
<https://www.pioneerelectronics.com/PUSA/Computer/Computer+Drives/BDR-XD08UMB-S>

L'environnement d'exploitation requis peut changer en fonction du système d'exploitation ou des applications utilisés.

Veuillez consulter les fournisseurs de logiciels ou de systèmes d'exploitation pour toute question au sujet des systèmes d'exploitations ou des applications.

## Environnement d'exploitation (macOS®)

- Systèmes d'exploitation pris en charge : OS X El Capitan® 10.11, macOS Sierra® 10.12, macOS High Sierra® 10.13, macOS Mojave® 10.14, macOS Catalina® 10.15, macOS Big Sur® 11, macOS Monterey® 12

Mac® ne prend pas en charge la lecture de Blu-ray Ultra HD.

# Avant utilisation

## Vérification des accessoires

Manuel de l'utilisateur (dont les informations sur la garantie et la clé du produit de l'application)

Câble USB (Type-A)

Câble d'échange USB (Type-A → Type-C)

- Téléchargez le logiciel de l'application depuis le site Web à l'adresse [https://jpn.pioneer/cyberlink\\_soft/en.php](https://jpn.pioneer/cyberlink_soft/en.php)  
La clé de téléchargement de l'application (clé du produit) est jointe à l'arrière du manuel de l'utilisateur.
- Si un accessoire manque, veuillez contacter le fournisseur qui vous a vendu ce produit.
- Veuillez télécharger l'utilitaire de lecteur BD Pioneer depuis le site Web Pioneer.  
[https://pioneer.jp/device\\_e/product-e/ibs/device\\_e/dev00001r\\_e.html#DriveUtility](https://pioneer.jp/device_e/product-e/ibs/device_e/dev00001r_e.html#DriveUtility)

L'utilitaire de lecteur permet à l'utilisateur de configurer plusieurs fonctions du lecteur telles que le réglage de la méthode de lecture si la lecture correcte d'un CD de musique est impossible et la configuration de la fonction PureRead afin de minimiser la survenue d'interpolation de données provenant d'erreurs.

Pour plus de détails, référez-vous à « Fonctions pratiques » à la page 23.

## Information sur le produit

<https://www.pioneerelectronics.com/PUSA/Computer/Computer+Drives/BDR-XD08UMB-S>



# INSTRUCTIONS IMPORTANTES RELATIVES À LA SÉCURITÉ

---

---



## AVERTISSEMENT

### Mesures à prendre en cas d'anomalie

- CONTINUER À UTILISER L'APPAREIL DANS DES CONDITIONS ANORMALES, COMME EN CAS DE FUMÉE, D'ODEURS INHABITUELLES, DE BRUITS ÉTRANGERS OU SIMILAIRES RISQUE DE PROVOQUER UN INCENDIE OU UN CHOC ÉLECTRIQUE. RETIREZ IMMÉDIATEMENT LE CÂBLE USB DE L'APPAREIL (SI VOUS UTILISEZ UN ADAPTATEUR SECTEUR, DÉBRANCHEZ LA FICHE ÉLECTRIQUE DE LA PRISE). VÉRIFIEZ QUE DE LA FUMÉE N'EST PLUS PRODUITE ET CONTACTEZ VOTRE FOURNISSEUR POUR RÉPARATION. TENTER DE RÉPARER L'APPAREIL PAR VOUS-MÊME EST DANGEREUX ET VOUS NE DEVEZ PAS ESSAYER DE LE FAIRE.
- Si de l'eau ou un autre corps étranger a pénétré dans l'appareil, retirez le câble USB de l'appareil (si vous utilisez un adaptateur secteur, débranchez la fiche électrique de la prise), et contactez votre fournisseur. Continuer à utiliser l'appareil risque de provoquer un incendie ou un choc électrique.
- Si l'appareil est tombé ou si le couvercle est endommagé, retirez le câble USB de l'appareil (si vous utilisez un adaptateur secteur, débranchez la fiche électrique de la prise), et contactez votre fournisseur. Continuer à utiliser l'appareil risque de provoquer un incendie ou un choc électrique.

### Environnement d'exploitation

- Température et humidité de l'environnement d'exploitation :  
+5 °C à +35 °C (+41 °F à +95 °F) ; moins de 85 % d'humidité relative (assurez-vous que les bouches d'aération de refroidissement ne sont pas obstruées)  
N'installez pas cet appareil dans une zone mal ventilée ou dans des lieux exposés à une forte humidité ou à la lumière directe du soleil (ou à une lumière artificielle forte).
- Assurez-vous que de l'eau ne s'introduise pas dans l'appareil et que celui-ci reste sec. Ne l'utilisez pas dans des lieux très humides. Le cas échéant, un risque d'incendie ou de choc électrique existe.
- Ne l'utilisez pas dans des lieux humides comme des salles de bains ou des salles d'eau. Le cas échéant, un risque d'incendie ou de choc électrique existe.

### Installation

- Ne l'installez pas à proximité de sources de chaleur comme des radiateurs, bouches d'air chaud, cuisinières ou autres appareils (amplificateurs compris) qui produisent de la chaleur.
- Les fentes et ouvertures dans le châssis sont prévues pour le refroidissement et le bon fonctionnement de l'appareil. N'obstruez PAS et ne recouvrez pas les ouvertures. Ne placez PAS cet appareil sur un lit, un tapis, etc. car cela risque d'obstruer les ouvertures. Cet appareil ne doit pas être placé dans une installation encastrée si elle n'est pas correctement ventilée.

## INSTRUCTIONS IMPORTANTES RELATIVES À LA SÉCURITÉ

---

- Pour éviter un risque d'incendie, ne placez pas de sources de flammes nues (comme une bougie allumée) sur l'équipement ou à proximité de celui-ci.
- Ne le placez pas à proximité de flammes nues, telles que celles d'une cheminée ou de sources de chaleur. Le cas échéant, un risque d'incendie ou de déformation existe.



### AVERTISSEMENT

- Débranchez le câble USB (si vous utilisez un adaptateur secteur, la fiche électrique) de cet appareil pendant des orages ou lorsqu'il n'est pas utilisé pendant des périodes prolongées.
- Durant l'opération, ne soumettez pas l'appareil à des vibrations ou à des chocs, ni ne branchez ou débranchez le câble USB (si vous utilisez un adaptateur secteur, la fiche électrique).
- Durant l'opération, ne déplacez pas et ne soulevez pas l'appareil. Le disque tourne à vitesse élevée et le fait de soulever ou de déplacer l'appareil risque d'endommager le disque. Pour déplacer l'appareil, retirez d'abord le disque, puis mettez l'appareil hors tension.
- Ne retirez pas le couvercle de l'appareil ni ne modifiez l'appareil. L'intérieur de l'appareil renferme des pièces sous haute tension et, le cas échéant, un risque d'incendie ou de choc électrique existe. Demandez à votre fournisseur de réaliser les inspections internes, la maintenance et les réparations. **Cet appareil est un instrument de précision. Par conséquent, emmenez ce produit chez un fournisseur ou un centre de services agréé si un démontage est nécessaire.**
- Ne placez aucun objet sur cet appareil, cela pourrait l'endommager ou le rendre instable et entraîner son basculement ou sa chute, ce qui pourrait provoquer des blessures.
- N'utilisez pas de disques fissurés, déformés ou qui ont été réparés avec de la colle ou d'autres adhésifs. Les disques tournent à vitesse élevée à l'intérieur de l'appareil et, dans ce cas, ils risquent d'être éjectés et de provoquer des blessures ou des dommages.
- **NE REGARDEZ PAS À L'INTERIEUR DE L'APPAREIL PAR LES INTERSTICES DANS LE COUVERCLE SUPÉRIEUR. LA LUMIÈRE PRODUITE PAR LES LASERS RISQUE DE PROVOQUER DES PROBLÈMES OCULAIRES.**
- Évitez d'utiliser ou de placer ce lecteur à proximité d'eau ou d'autres sources de liquides.
- Ne placez pas ce produit sur un chariot, un support ou une table instable. Le produit risque de tomber et d'être gravement endommagé.
- Lors de l'utilisation de cet appareil, veillez à bien suivre les avertissements affichés et les mises en garde de votre fabricant d'ordinateurs.



### AVERTISSEMENT

**Veillez à bien suivre les précautions suivantes. À défaut, un risque d'incendie ou d'électrocution existe.**

- Branchez les câbles sur l'appareil seulement après avoir vérifié que les câbles ne se sont pas détériorés ni ont été endommagés. N'utilisez aucun câble qui s'est détérioré ou a été endommagé.
- Ne décomposez pas et ne modifiez pas l'appareil. Ne faites rentrer aucun métal, objet inflammable, produit chimique, eau ou autres corps étrangers dans l'appareil.
- Assurez-vous que de l'eau ne s'introduise pas dans l'appareil et que celui-ci reste sec.
- Veillez à l'utiliser selon la tension d'alimentation spécifiée.

**Dans les circonstances suivantes, éteignez l'appareil, débranchez l'ordinateur, et contactez votre fournisseur ou Pioneer.**

- Si de la fumée s'échappe de l'appareil, ou si des anomalies telles que des odeurs ou des bruits inhabituels sont observées.
- Si de l'eau ou un corps étranger sont entrés dans l'appareil.
- Si l'appareil est tombé ou si le cordon d'alimentation, la fiche ou le châssis est endommagé.

**Lors de l'utilisation d'un adaptateur secteur compatible avec cet appareil, veillez à respecter les consignes suivantes.**

- Ne placez aucun objet sur le cordon d'alimentation ou le cordon de l'adaptateur secteur. De plus, assurez-vous que les cordons ne se retrouvent pas coincés sous l'appareil. Ne recouvrez pas le cordon d'un tapis ou autre.
- N'endommagez pas, ne modifiez pas, ne pliez, tordez, tirez ou chauffez de manière forcée le cordon d'alimentation ou le cordon de l'adaptateur secteur. Le cas échéant, un risque d'endommagement du cordon existe, pouvant provoquer un incendie ou un choc électrique.
- Ne connectez pas cet appareil à une source d'alimentation à courant continu (CC) (comme sur un bateau). Le cas échéant, un risque d'incendie ou de choc électrique existe.
- N'utilisez pas d'adaptateurs secteur autres que ceux qui sont compatibles avec cet appareil. L'utilisation d'autres adaptateurs secteur risque de provoquer un incendie.
- Ne branchez pas ni ne débranchez la fiche électrique avec les mains mouillées. Le cas échéant, un risque de choc électrique existe.
- Lors du débranchement du cordon d'alimentation, ne tirez pas sur le cordon. Le cas échéant, un risque d'endommagement du cordon existe, pouvant provoquer un incendie ou un choc électrique. Veillez à tenir la fiche lors du débranchement.

## INSTRUCTIONS IMPORTANTES RELATIVES À LA SÉCURITÉ

---

---

- Tenez le cordon d'alimentation à l'écart de sources de chaleur. Le non-respect de cette consigne risque de faire fondre l'isolation sur le cordon, pouvant provoquer un incendie ou un choc électrique.
- Lors du déplacement de l'appareil, veillez à débrancher d'abord la fiche électrique de la prise, puis à retirer les cordons de connexion externes. Le non-respect de cette consigne risque d'endommager le cordon, pouvant provoquer un incendie ou un choc électrique.

Les symboles indicateurs utilisés pour ce produit (dont ses accessoires) indiquent les éléments suivants :

~ CA (Courant alternatif)

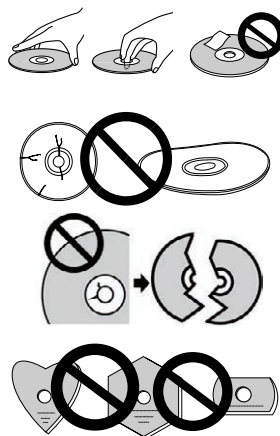
== CC (Courant continu)

## Mises en garde concernant l'utilisation

- Ne l'utilisez pas dans des lieux poussiéreux ni dans des lieux très chauds, ou humides.
- Ne soumettez pas l'appareil à des vibrations ou à des chocs.
- Durant l'opération, ne déplacez pas et ne soulevez pas l'appareil.
- Faites attention à la condensation. S'il y a de la condensation, laissez l'appareil pendant une ou deux heures pour que l'humidité s'évapore avant utilisation.
- N'inspectez pas et ne modifiez pas l'intérieur de l'appareil.
- Utilisez un chiffon doux et sec pour enlever toute saleté à l'extérieur de l'appareil. En cas de salissure importante, diluez un nettoyant neutre dans cinq à six volumes d'eau et trempez-y un chiffon doux, essuyez la saleté, puis séchez la surface avec un chiffon sec. N'utilisez pas de produits chimiques volatils comme du benzène, des diluants, de l'alcool, des aérosols, car ils risquent d'endommager la surface. Avant de nettoyer vos dispositifs électroniques en utilisant un chiffon traité avec des produits chimiques, veillez à bien lire les mises en garde mentionnées sur les chiffons.
- Aucune garantie n'existe quant à la conservation des données lors de l'utilisation de cet appareil. Assurez-vous de réaliser régulièrement des sauvegardes de vos données pour les récupérer en cas de dysfonctionnement.

### Manipulation des disques

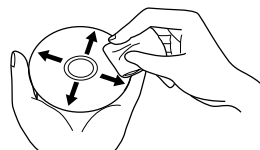
- Ne touchez pas et ne rayez pas la face de signal (brillante) du disque.
- Manipulez le disque soit par les deux bords, soit par le trou au centre et par un bord.
- N'apposez pas d'autocollants ni d'étiquettes sur le disque.
- N'utilisez pas de disques fissurés ou très déformés. Cela peut entraîner un dysfonctionnement de l'appareil.
- Quand vous utilisez de vieux disques ou des disques de location, vérifiez qu'il n'y a pas de fissures autour du trou central. La force centrifuge provenant de la rotation à haute vitesse peut élargir ces fissures, ce qui peut entraîner la rupture du disque.
- N'utilisez pas de disques avec des formes spéciales (en forme de cœur, en forme d'hexagone, etc.) ou d'autres disques non standard. Le cas échéant, un risque de dysfonctionnement existe.



## Mises en garde concernant l'utilisation

---

- Si de la poussière ou des traces de doigt sont présentes sur le disque, utilisez un chiffon doux pour les enlever, en partant du centre du disque, jusqu'au bord extérieur. N'essuyez pas le disque dans un geste circulaire.
- N'utilisez pas de pulvérisateur ni d'agents antistatiques. Cela peut endommager le disque.



Pour protéger le disque, assurez-vous qu'il est conservé dans un boîtier et veillez à ce qu'il n'y ait pas de saleté ou de poussière sur la surface d'enregistrement avant de l'utiliser.

# Caractéristiques

## Vitesse d'écriture / Vitesse de lecture

	VITESSE D'ÉCRITURE (MAXIMUM)*	VITESSE DE LECTURE (MAXIMUM)*
BD-ROM (SL/DL)	-	6X
Blu-ray Ultra HD	-	4X
BD-R (SL/DL)	6X	6X
BD-RE (SL/DL)	2X	6X
BD-R (TL/QL)	4X	4X
BD-RE (TL)	2X	4X
BD-R LTH	6X	6X
M-DISC (BD) SL	4X	6X
M-DISC (BD) DL	6X	6X
M-DISC (BD) TL	4X	4X
DVD-ROM (SL/DL)	-	8X
DVD±R (SL)	8X	8X
DVD±R (DL)	6X	8X
DVD-RW	6X	8X
DVD+RW	8X	8X
DVD-RAM	5X	5X
M-DISC (DVD)	4X	8X
CD-ROM	-	24X
CD-R	24X	24X
CD-RW	24X	24X

\* Lors de l'utilisation d'un port USB 2.0, la vitesse d'écriture/de lecture de BD n'atteint pas 6X.

## Caractéristiques

---

### Remarque

- La lecture de disques enregistrés BD/DVD/CD est possible dans les lecteurs qui prennent en charge ces formats. Veuillez consulter le fabricant du produit concerné au sujet de la compatibilité.

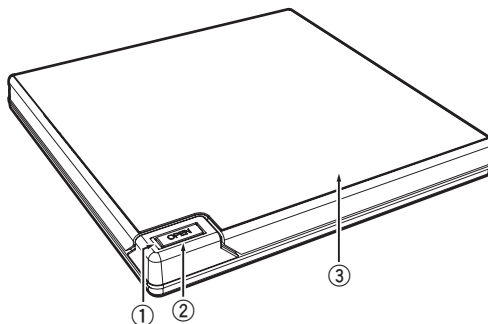
**Pour exécuter l'écriture à haute vitesse, veuillez utiliser un média qui prend en charge l'enregistrement et l'écriture à haute vitesse. Référez-vous au site Web de Pioneer pour obtenir des détails.**

[https://pioneer.jp/device\\_e/product-e/ibs/device\\_e/dev00003r\\_e.html](https://pioneer.jp/device_e/product-e/ibs/device_e/dev00003r_e.html)

- Lecture de Dual Disc
  - Le format Dual Disc peut enregistrer des vidéos au format standard DVD et de l'audio sur une face, et l'audio peut être reproduit par un lecteur CD sur l'autre face.
  - Quand vous insérez un Dual Disc dans l'appareil de lecture ou que vous l'enlevez de l'appareil, la surface opposée à la face de lecture peut être rayée. Des problèmes peuvent survenir quand vous lisez la face rayée.
  - La face audio (la face non-DVD) n'est pas conforme avec les standards physiques généraux des CD, et ne peut pas être lue dans certains cas.
  - La face de DVD Dual Disc peut être lue.
  - Pour plus de détails sur les spécifications de Dual Disc et les standards, veuillez à contacter le distributeur ou le vendeur du disque.

# Noms des pièces et fonctions

Avant / Haut



## ① **Témoin d'alimentation/d'utilisation**

L'état du fonctionnement est indiqué comme suit :

Pendant la mise sous tension : S'allume légèrement

Pendant la lecture/l'écriture : S'allume

Pendant l'ouverture/la fermeture du couvercle du disque : S'allume légèrement

## ② **Bouton d'ouverture (OPEN)**

Appuyez pour ouvrir le couvercle du disque.

- Lorsque cet appareil est connecté à un Mac<sup>®</sup> avec un disque inséré, cette fonction ne peut pas être utilisée en raison des spécifications macOS<sup>®</sup>. Veuillez consulter le Guide de l'utilisateur de macOS pour en savoir plus sur le fonctionnement avec un Mac.

### **Fonction d'affichage du mode PureRead**

Appuyez sur le bouton [OPEN] et maintenez-le enfoncé pour afficher le mode PureRead défini.

Référez-vous à page 24 pour obtenir des détails.

## ③ **Couvercle du disque**

Appuyez sur le bouton [OPEN] pour ouvrir le couvercle du disque, puis placez un disque BD, DVD ou CD uniquement sur le plateau avec l'étiquette vers le haut. Fermez doucement le couvercle du disque.

### **Ne forcez pas manuellement l'ouverture du couvercle du disque.**

Utilisez le levier d'ouverture forcée (voir à la page suivante) pour ouvrir le couvercle du disque lorsque l'appareil est HORS TENSION.

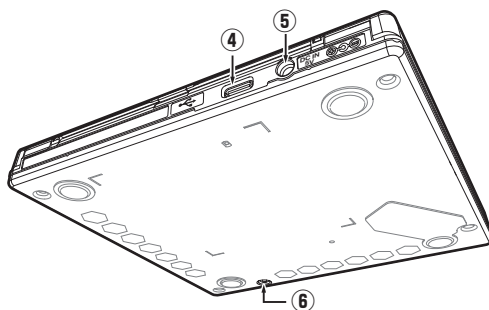
## Noms des pièces et fonctions

---

### AVERTISSEMENT

Veillez à ne pas vous pincer la main ou les doigts avec le couvercle.

### Arrière / Bas



#### ④ **Connecteur USB**

Connecteur USB 3.2 Gen1 et USB 2.0 Type-C

#### ⑤ **Connecteur d'adaptateur secteur (DC IN)**

Certains ordinateurs peuvent ne pas être suffisamment alimentés via un port USB pour pouvoir utiliser le lecteur. Un adaptateur secteur (non fourni) peut être connecté au lecteur via le connecteur d'entrée CC (DC IN) pour l'alimenter. Pour plus de détails, visitez ou contactez <https://www.pioneerelectronics.com/PUSA/>  
Téléphone : 1-800-421-1404

**Ne connectez aucun adaptateur secteur autre que celui spécifié par Pioneer.**

En cas d'urgence (fumée, odeurs inhabituelles, bruits étranges ou similaires), retirez immédiatement la fiche électrique de la prise si cela peut se faire en toute sécurité.

#### ⑥ **Lever d'ouverture forcée**

Utilisez-le pour ouvrir le couvercle du disque lorsque le lecteur est hors tension. Si le couvercle du disque ne peut pas être ouvert en appuyant sur le bouton [OPEN], mettez le lecteur hors tension et patientez pendant une minute environ jusqu'à ce que le disque ait cessé de tourner avant de tenter d'ouvrir le couvercle du disque. Durant l'opération normale, le bouton [OPEN] doit être utilisé pour ouvrir le couvercle du disque.



# Opérations

---

---

L'appareil écrit sur des disques lorsque l'application logicielle fournie est installée sur votre ordinateur. L'écriture échoue si l'ordinateur ou le système d'exploitation ne prend pas en charge le logiciel.

## Commencer à écrire sur un disque

- ① **Connectez le câble USB fourni.**
- ② **Mettez l'ordinateur sous tension.**
- ③ **Appuyez sur le bouton [OPEN], puis soulevez doucement le couvercle du disque à la main.**  
Lorsque cet appareil est connecté à un Mac<sup>®</sup> avec un disque inséré, cette fonction ne peut pas être utilisée en raison des spécifications macOS<sup>®</sup>. Veuillez consulter le Guide de l'utilisateur de macOS pour en savoir plus sur le fonctionnement avec un Mac.
- ④ **Placez le disque dans le plateau avec l'étiquette vers le haut.**
- ⑤ **Fermez doucement le couvercle du disque.**
- ⑥ **Démarrez l'application de gravure de disque.**

## Terminer la session d'écriture

- ① **Quittez l'application de gravure de disque.**
- ② **Appuyez sur le bouton [OPEN], puis soulevez doucement le couvercle du disque à la main.**  
Lorsque cet appareil est connecté à un Mac avec un disque inséré, cette fonction ne peut pas être utilisée en raison des spécifications macOS. Veuillez consulter le Guide de l'utilisateur de macOS pour en savoir plus sur le fonctionnement avec un Mac.
- ③ **Retirez le disque.**
- ④ **Fermez doucement le couvercle du disque.**
- ⑤ **Mettez l'ordinateur hors tension.**  
Lorsque le mécanisme de verrouillage est relâché, le couvercle du disque doit être complètement ouvert pour pouvoir le refermer.

## Opérations

### Ouverture manuelle du couvercle du disque

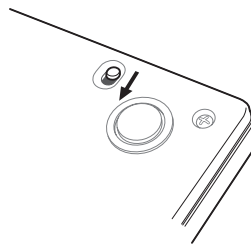
Utilisez le levier d'ouverture forcée pour retirer le disque si le couvercle du disque n'a pas pu être ouvert ou si toutes les autres méthodes ont été tentées.

- ① **Mettez l'ordinateur hors tension.**
- ② **Patiencez jusqu'à ce que le disque ait cessé de tourner.**
- ③ **Faites glisser le levier d'ouverture forcée pour ouvrir le couvercle du disque.**
- ④ **Ouvrez doucement le couvercle du disque et retirez le disque.**



#### **AVERTISSEMENT**

Pour éviter de vous blesser et d'endommager l'appareil, ne forcez PAS l'ouverture du couvercle du disque lorsque le disque tourne.



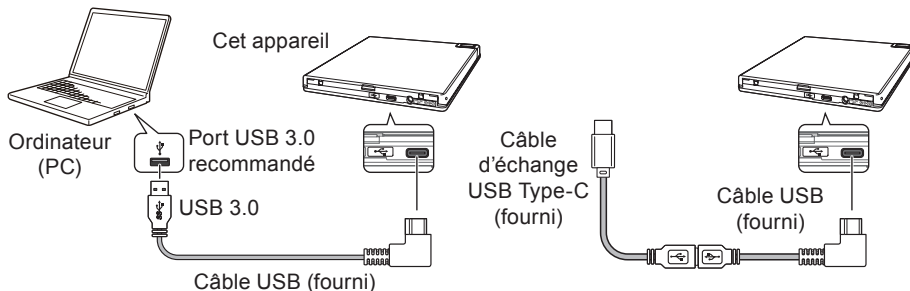
# Connexion

Cet appareil peut être ajouté sans arrêter ou redémarrer l'ordinateur. Connectez l'appareil au câble USB fourni.

- ① Vérifiez que votre ordinateur (PC) dispose d'un port USB disponible.
- ② Avec votre système d'exploitation Windows® ou Mac® en cours d'exécution, utilisez le câble USB fourni pour connecter cet appareil à l'ordinateur.

## Mise en garde

- Ne déconnectez pas le câble USB pendant les transferts de données.
- Ne déconnectez pas le câble USB pendant le démarrage de l'ordinateur ou toute opération avec l'appareil.



Le câble USB en forme de L peut être connecté au lecteur dans les deux sens, mais lorsqu'il est branché avec le cordon s'étendant vers la droite, le câble bloque le connecteur d'adaptateur secteur. Pour éviter tout dommage lors de l'utilisation d'un adaptateur secteur en option, branchez le câble USB de sorte que le cordon s'étende vers la gauche.

## Remarque

- La connexion à un port USB 3.0 est recommandée, car lorsqu'un câble USB 3.0 est connecté à un port USB 2.0, la connexion est limitée aux performances USB 2.0 standard.
- Cet appareil peut fonctionner avec USB 1.1 mais n'offrira pas des performances optimales.
- La connexion de cet appareil via un concentrateur USB ou à l'aide de câbles non spécifiés peut ne pas offrir un bon fonctionnement.

## Connexion

---

- Si l'alimentation est insuffisante lorsqu'un port USB est utilisé, connectez un adaptateur secteur (non fourni) via le connecteur d'entrée CC (DC IN) sur le panneau arrière de l'appareil et branchez-le à une prise murale pour l'alimenter. Connectez le câble USB (fourni) après avoir connecté l'adaptateur secteur pour assurer un bon fonctionnement. Pour plus de détails sur la connexion de l'adaptateur secteur, visitez ou contactez  
<https://www.pioneerelectronics.com/PUSA/>  
Téléphone : 1-800-421-1404
- **Ne connectez aucun adaptateur secteur autre que celui spécifié par Pioneer.**
- Cet appareil est conçu pour être utilisé uniquement avec des ordinateurs personnels certifiés UL compatibles dont les instructions détaillent l'installation par l'utilisateur d'accessoires USB.
- Un adaptateur secteur certifié UL, de Classe 2 (sortie 5 V, 1,0 A min.) doit être utilisé.

### Procédure de retrait

Vérifiez que l'état indique que l'appareil principal n'est pas en cours d'accès (le voyant LED n'est pas allumé fortement), puis débranchez le câble USB.

### Adaptateur secteur vendu séparément (DCA-003)\*

Cet appareil utilise une alimentation fournie via le connecteur USB (bus). Toutefois, utilisez l'appareil en connectant l'adaptateur secteur en option (DCA-003) dans les cas suivants :

- Lorsque l'appareil ne fonctionne pas correctement, comme lorsqu'il n'est pas alimenté ou lorsque les disques ne sont pas reconnus.
  - Lorsqu'il est utilisé avec d'autres appareils USB.
  - Lors de l'utilisation d'un concentrateur USB.
- \* L'adaptateur secteur compatible (DCA-003) est disponible à l'achat sur le site Web suivant :  
<https://www.pioneerelectronics.com/PUSA/Computer/Computer+Drives/DCA-003>

# Téléchargement et installation de CyberLink Media Suite (avec la clé du produit)

---

---

CyberLink® Media Suite est compatible uniquement avec les systèmes d'exploitation Windows®. Elle ne peut pas être utilisée avec macOS®.

- ① **Visitez le site Web mentionné à l'arrière de ce manuel.**
- ② **Passez en revue le contrat de licence et cliquez sur « Agree » (Accepter) pour vous rendre sur la page Web de CyberLink.**

## Téléchargement

- ① **Après avoir accédé au site Web de téléchargement, connectez-vous avec votre adresse e-mail de membre CyberLink ainsi qu'avec votre mot de passe.**  
(Si vous ne vous êtes pas inscrit en tant que membre CyberLink, cliquez sur « Register now » (S'enregistrer maintenant) et enregistrez-vous afin d'être membre.)
- ② **Après vous être enregistré, l'écran de saisie de la clé du produit sera affiché. Saisissez la clé du produit fournie et cliquez sur « Submit » (Envoyer).**  
La clé du produit se trouve à l'arrière de ce manuel.  
(La clé de 16 caractères est imprimée sur l'étiquette.)
- ③ **Si la clé du produit a été correctement saisie, l'écran pour télécharger le programme de téléchargement sera affiché. Cliquez sur le lien de téléchargement pour télécharger le programme de téléchargement.**

### Télécharger à nouveau le programme de téléchargement

Après avoir enregistré la clé du produit sur le site Web de téléchargement, un e-mail sera envoyé à votre adresse e-mail de membre CyberLink.

Le programme de téléchargement peut être téléchargé à nouveau à partir du lien dans l'e-mail pendant 30 jours à partir de l'enregistrement de la clé du produit.

### Installation

- ① **Connectez le lecteur à un ordinateur Windows®.**
- ② **Ouvrez le fichier téléchargé pour commencer à télécharger le programme.**
- ③ **Une fois le téléchargement fini, le message d'installation sera affiché dans la boîte de dialogue. Cliquez sur « Install » (Installer) pour lancer le programme d'installation.**  
(Même si vous ne cliquez pas sur « Install » (Installer), le programme d'installation se lancera automatiquement après 1 minute.)
- ④ **Après le lancement du programme d'installation, suivez les instructions sur celui-ci pour installer le produit.**

## Fonctions pratiques

Ces fonctions peuvent être utilisées si l'utilitaire de lecteur est téléchargé et installé. Pour accéder à des détails sur les autres fonctions dans l'utilitaire de lecteur, référez-vous à la page d'aide de l'utilitaire de lecteur. Veuillez télécharger l'utilitaire de lecteur depuis le site Web Pioneer.  
[https://pioneer.jp/device\\_e/product-e/libs/device\\_e/dev00001r\\_e.html#DriveUtility](https://pioneer.jp/device_e/product-e/libs/device_e/dev00001r_e.html#DriveUtility)

### Personnaliser la fonction Éco

#### Explication de la fonction

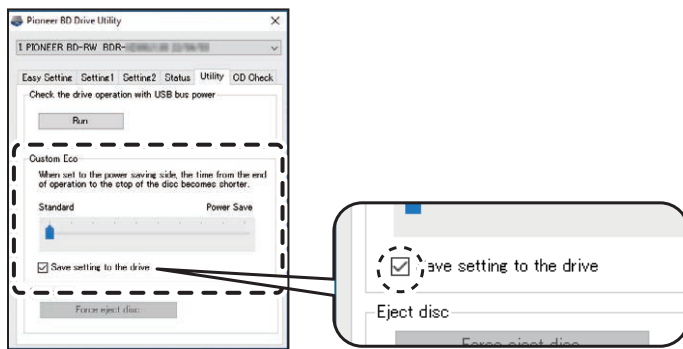
Si le lecteur ne reçoit aucune commande (instruction pour le fonctionnement) de l'ordinateur pendant une période spécifique, cette fonction réduira la consommation d'énergie de l'appareil (passe en mode économique) notamment en arrêtant la rotation du disque ou en réduisant la vitesse de rotation du disque. Raccourcir cette période spécifique fera passer l'appareil en mode économique plus rapidement.

- Si une commande est reçue après être passé en mode économique, plus de temps sera nécessaire pour que l'appareil atteigne à nouveau une grande vitesse de rotation, ce qui peut réduire la vitesse de fonctionnement en attendant.

#### Utilisation de cette fonction

Configurez le paramètre dans « Pioneer BD Drive Utility ».

- ① Installation de « Pioneer BD Drive Utility ».
- ② Lancement de « Pioneer BD Drive Utility ».
- ③ Cliquez sur l'onglet [Utility] (Utilitaire).



## Fonctions pratiques

- ④ **Glissez le [A] sous le [Custom Eco] (Éco personnalisé) vers le [Power Save] (Économie d'énergie).**  
Il existe 10 niveaux entre le mode standard et le mode économique.
- ⑤ **Sélectionnez [Save setting to the drive] (Enregistrer les paramètres sur le lecteur).**  
Les valeurs définies seront enregistrées sur le lecteur. Les paramètres seront conservés même après arrêt de l'appareil.

### Mises en garde concernant l'utilisation

- Le paramètre par défaut est le mode standard.
- Si l'alimentation du lecteur est éteinte sans avoir sélectionné l'option **[Save setting to the drive]** (Enregistrer les paramètres sur le lecteur), les paramètres reviendront à ceux précédemment enregistrés.
- Dans un environnement Windows<sup>®</sup>, le paramètre peut être changé à tout moment en utilisant l'utilitaire de lecteur BD Pioneer, quand le lecteur est reconnu.
- Les paramètres d'Éco personnalisé peuvent uniquement être changés sous Windows. Après le changement des paramètres sous Windows, l'appareil peut être utilisé avec un Mac<sup>®</sup>.

## PureRead

### Explication de la fonction PureRead

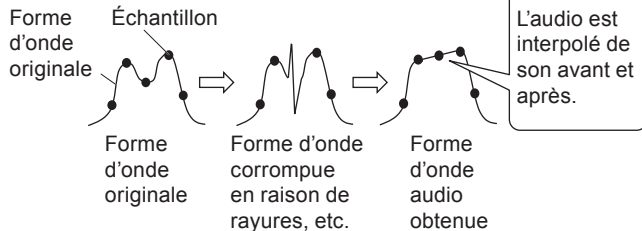
Si vous utilisez cet appareil pour lire un CD de musique, vous pouvez utiliser PureRead. Cette fonction permet à l'appareil en fonctionnement d'acquérir et de reproduire le plus possible le son original comme par la lecture répétée de parties rayées ou sales du CD. La fonction PureRead peut être paramétrée selon les deux modes suivants, ou éteinte.

Master Mode (Mode Maître) (paramètre par défaut)	Ce mode travaille au maximum à l'acquisition et à la reproduction du son original, mais si ce mode rencontre des données audio qui ne peuvent pas être entièrement reproduites, il interpole ces données et continue l'acquisition.
Perfect Mode (Mode Parfait)	Ce mode reproduit le son original, et s'il rencontre des données audio qui ne peuvent pas être entièrement reproduites, le mode s'arrête et cesse l'acquisition.
OFF	Ce mode entraîne une acquisition normale des données d'un CD de musique. S'il y a une rayure qui empêche la lecture, l'interpolation s'appliquera.



### Qu'est-ce que l'interpolation ?

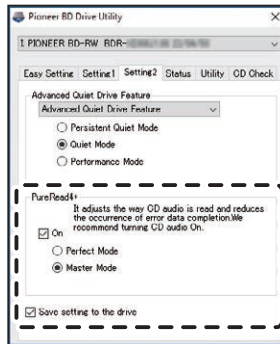
Les données audio qui ne peuvent pas être lues à cause de rayures ou d'autres dommages sont créées par des interférences de son avant et après. Ce son sera abîmé par rapport au son original.



### Utilisation de PureRead

#### [Windows®]

- ① Installation de « Pioneer BD Drive Utility ».
- ② Lancement de « Pioneer BD Drive Utility ».
- ③ Cliquez sur l'onglet [Setting2] (Paramètre2).



- ④ Sélectionnez l'option [On] (Allumé) située sous [PureRead4+].

## Fonctions pratiques

---

- ⑤ Sélectionnez soit [Perfect Mode] (Mode Parfait) soit [Master Mode] (Mode Maître).
- ⑥ Sélectionnez [Save setting to the drive] (Enregistrer les paramètres sur le lecteur).  
Les valeurs définies seront enregistrées sur le lecteur. Les paramètres seront conservés même après arrêt de l'appareil.

### [Mac®]

- ① Installez « Pioneer BD Drive Utility » (macOS® 10.14 ou version antérieure) ou « Pioneer BD Drive Utility Lite » (macOS 10.15 ou version ultérieure).
- ② Démarrez « Pioneer BD Drive Utility » ou « Pioneer BD Drive Utility Lite ».  
Lors de l'utilisation de « Pioneer BD Drive Utility Lite », faites fonctionner sans disque inséré.
- ③ Sélectionnez l'option [On] (Allumé) située sous [PureRead].



- ④ Sélectionnez soit [Perfect Mode] (Mode Parfait) soit [Master Mode] (Mode Maître).
- ⑤ Sélectionnez [Save setting to drive] (Enregistrer les paramètres sur le lecteur).  
Les valeurs définies seront enregistrées sur le lecteur. Les paramètres seront conservés même après arrêt de l'appareil.



**Affichage du mode PureRead**

Lorsqu'aucun disque n'est inséré, appuyez sur le bouton d'ouverture et maintenez-le enfoncé pendant au moins deux secondes. L'indicateur d'utilisation clignote, et le paramètre du mode PureRead actuel est affiché.

**Affichage du mode**

Master Mode (Mode Maître)	— ☆☆ — ☆☆ —	Retour à l'état de fonctionnement normal.
Perfect Mode (Mode Parfait)	— ☆☆☆ — ☆☆☆ —	Retour à l'état de fonctionnement normal.
OFF	— ☆ — ☆ —	Retour à l'état de fonctionnement normal.

☆ : Nombre de clignotements, — : Éteint (une seconde)

**Mises en garde concernant l'utilisation**

- La fonction d'affichage du mode PureRead ne peut pas être utilisée lorsqu'un disque est inséré dans l'appareil et que le couvercle est fermé.
- Si l'alimentation du lecteur est éteinte sans avoir sélectionné l'option **[Save setting to the drive]** (Enregistrer les paramètres sur le lecteur), les paramètres reviendront à ceux précédemment enregistrés.
- Un changement PureRead avec Drive Utility lorsque la fonction d'affichage du mode PureRead est utilisée entraîne un affichage incorrect.

# Spécifications

---

## [Installation]

L'appareil ne peut être installé qu'à l'horizontale.

## [Taille du disque]

12 cm / 8 cm

- Le lecteur ne prend pas en charge les formes non standard comme les cartes de visite, diamants, etc.
- Le lecteur ne prend pas en charge les adaptateurs de 8 cm.

## [Taux de transfert]

Lecture de données (continue)

BD	Max.	27,00 Mo/s
DVD	Max.	10,80 Mo/s
CD	Max.	3,60 Mo/s

Écriture de données (continue)

BD	Max.	27,00 Mo/s	(6X BD-R)
DVD	Max.	10,80 Mo/s	(8X BD-R)
CD	Max.	3,60 Mo/s	(24X BD-R)

- Le taux de transfert peut être réduit selon la condition du disque (rayures, etc.).

## [Temps d'accès/Temps de recherche]

Temps d'accès (moyenne aléatoire)

BD-ROM 270 ms	DVD-ROM 270 ms	CD-ROM 270 ms
---------------	----------------	---------------

Temps de recherche (moyenne aléatoire)

BD-ROM 250 ms	DVD-ROM 250 ms	CD-ROM 250 ms
---------------	----------------	---------------

## [Autres]

Alimentation électrique .....	+5 V CC, 1,0 A (AVE)
Dimensions extérieures (sans les pieds).....	133 mm (L) x 14,8 mm (H) x 133 mm (P)
Poids (lecteur seulement).....	230 g
Température de fonctionnement (humidité normale).....	+5 °C à +35 °C
Humidité de fonctionnement.....	5 % à 85 % (sans condensation)
Température de stockage (humidité normale).....	-40 °C à +60 °C
Humidité de stockage.....	5 % à 90 % (sans condensation)
Taille du tampon .....	4 Mo
Puissance (veille) .....	0,65 W

### **[Accessoires]**

Manuel de l'utilisateur (dont les informations sur la garantie et la clé du produit de l'application)

Câble USB (Type-A)

Câble d'échange USB (Type-A → Type-C)

## Problèmes et solutions

---

---

Des erreurs inattendues sont souvent considérées comme des dysfonctionnements. Si vous pensez qu'il y a un dysfonctionnement, vérifiez les éléments ci-dessous selon les symptômes.

Si une anomalie n'est pas résolue même après avoir pris les mesures suivantes, veuillez contacter votre fournisseur ou Pioneer.

De plus, veuillez consulter le fabricant du logiciel de l'application à propos de tout problème survenant dans le logiciel de l'application.

### L'ordinateur ou l'application ne reconnaît pas correctement l'appareil

- Le câble USB ou l'adaptateur secteur est-il correctement connecté ?
  - Assurez-vous que le câble est correctement connecté. Si vous utilisez un concentrateur USB, l'alimentation électrique n'est peut-être pas suffisante. Connectez le câble USB directement à votre ordinateur.
- Le système d'exploitation est-il compatible avec l'appareil ?
  - Utilisez un système d'exploitation qui est compatible avec cet appareil. (Windows® 11, Windows 10, Windows 8.1, OS X El Capitan® 10.11, macOS Sierra® 10.12, macOS High Sierra® 10.13, macOS Mojave® 10.14, macOS Catalina® 10.15, macOS Big Sur® 11, macOS Monterey® 12)
- Utilisez-vous l'application fournie ?
  - Utilisez l'application incluse avec cet appareil.

### Les données ne peuvent pas être enregistrées/une erreur survient lors de l'enregistrement

- Y a-t-il suffisamment d'espace pour l'enregistrement ?
- Vérifiez que le logiciel de l'application requis est installé sur l'environnement utilisé.
- Vérifiez que l'environnement d'exploitation utilisé respecte les spécifications du logiciel de l'application utilisée.
- L'enregistrement sur le disque à la vitesse sélectionnée est impossible.
  - Vérifiez que le disque prend en charge les différentes vitesses d'enregistrement.
  - La vitesse peut baisser selon la condition du disque.
- Utilisez-vous un disque qui a été finalisé (aucun enregistrement de plus n'est possible) ?
- Le disque a-t-il été correctement inséré avec l'étiquette vers le haut et la face d'enregistrement vers le bas ?
- Le disque est-il sale ou rayé ?

### Un disque enregistré ne peut pas être lu

- Le disque inséré dans le plateau du disque a-t-il la face avec l'étiquette vers le haut ?
- Utilisez-vous un disque vierge ?
- Le disque est-il sale ou rayé ?
- Vérifiez que le logiciel de l'application requis est installé sur l'environnement utilisé.
- L'appareil installé est-il dans un emplacement plat ?
- Les composants optiques ou le disque peuvent avoir de la condensation sur eux. De ce fait, éteignez l'appareil pendant un certain temps et attendez qu'il sèche complètement avant de l'utiliser.

Pour plus de détails sur comment enregistrer les disques, référez-vous au manuel ou aux fenêtres d'aide pour que le logiciel de l'application puisse être utilisé.

### Pour un enregistrement et une lecture plus stable du disque

La plage de température de fonctionnement pour ce produit est de +5 °C à +35 °C (41 °F à 95 °F). Toutefois, l'enregistrement et la lecture à des températures normales sont recommandés pour assurer un enregistrement stable ainsi qu'une lecture sur différents lecteurs.

### Codes de région

Le code de région du lecteur **peut être réglé seulement cinq fois** (dont le paramètre initial). Le code de région sélectionné en tant que cinquième réglage sera verrouillé comme dernier code de région. De ce fait, soyez attentif lors du changement de code.

- Les disques DVD qui n'ont pas de code de région peuvent être lus sur tous les lecteurs.

### Il n'y a pas d'image. Il n'y a pas de son.

- La sortie numérique du contenu BD-Vidéo (sortie utilisant des terminaux DVI ou HDMI) nécessite des fonctionnalités graphiques et des moniteurs qui prennent en charge les standards HDCP. Vérifiez que l'environnement de votre ordinateur prend en charge les standards HDCP.

La lecture de contenu BD-Vidéo et d'autres vidéos haute définition nécessite une très haute puissance de traitement. Si vous rencontrez un phénomène tel que la chute du cadre ou un audio saccadé, il est possible d'éviter cela en réduisant la charge sur l'ordinateur soit en arrêtant le logiciel résident ou en utilisant une fonctionnalité d'aide de lecture vidéo dans la fonction des graphiques.

Vérifiez l'environnement d'exploitation, et essayez de le lire à nouveau avec le moins de charge possible des autres applications sur l'ordinateur.

La lecture de contenu BD-Vidéo nécessite des mises à jour régulières du logiciel de lecture, car le contenu de la clé de décryptage présente une date d'expiration. Avant la lecture, assurez-vous que la dernière mise à jour du logiciel du fabricant a été appliquée.

- Lors de la lecture de titre DVD-Vidéo, si le compteur de logiciel de lecture compte correctement est que l'audio est sorti, mais qu'aucune image n'est affichée, vérifiez la résolution et le nombre de couleurs sur votre moniteur. Les paramètres standard sont une résolution de 800 x 600 et une couleur de 16-bit. De plus, vérifiez que les lecteurs de carte vidéo (puce vidéo) sont les dernières versions, et effectuez une mise à jour si besoin.

Si un message tel que « Échec de création de superposition » est affiché, ceci indique une insuffisance des performances de la carte vidéo comme mentionnée ci-dessus, vous devez donc régler la résolution et le nombre de couleurs comme ci-dessus.

De plus, si votre ordinateur a une fonction de sortie TV, un message d'erreur commençant par « Macrovision . . . » peut s'afficher. Dans ce cas, éteignez la fonction de sortie TV.

- Si les images sont affichées, mais qu'il n'y a aucun son, il se peut que la vidéo sorte dans un format audio non supportée par le logiciel de lecture. Vérifiez le format audio enregistré avec le titre BD/DVD-Vidéo, et passez à un format audio pris en charge (son ambiophonique, etc.).
- Les médias et fichiers tels que des vidéos de BD/DVD-Vidéo et des diffusions numériques comprennent la protection de contenu, et ont des restrictions sur la copie et la lecture. Vérifiez qu'il n'y a pas de restriction sur le contenu à lire et sur l'environnement de lecture.
- Pour des informations détaillées sur le lecteur Blu-ray Ultra HD, référez-vous au site Web ci-dessous.

<https://www.pioneerelectronics.com/PUSA/Computer/Computer+Drives/BDR-XD08UMB-S>

La fonction Intel Software Guard Extensions (Intel SGX) est une configuration requise pour le processeur et le micrologiciel de la carte mère pour lire le contenu protégé par DRM (gestion des droits numériques) des disques de film Ultra HD Blu-ray sur une plateforme Windows®.

### Remarque

Intel SGX a été supprimé des processeurs Intel de 11e génération et plus récents, et la prise en charge de SGX peut être supprimée sur les nouvelles versions des pilotes ou des programmes utilitaires Intel tels que les pilotes et micrologiciels Intel SGX et Intel Management Engine à l'avenir. De tels changements pourraient faire perdre à ces plateformes la prise en charge de la lecture des disques vidéo Ultra HD Blu-ray.



## Autres

### Garantie et service après-vente

#### SERVICE APRÈS-VENTES POUR LES PRODUITS PIONEER

Veillez contacter le fournisseur ou le distributeur auprès duquel vous avez acheté le produit pour disposer de son service après-ventes (y compris la garantie) et obtenir toute autre information. Vous pouvez également contacter le service client Pioneer au 1-800-421-1404 aux États-Unis et au Canada, ou à l'adresse indiquée ci-dessous :

VEUILLEZ NE PAS EXPÉDIER VOTRE PRODUIT à l'adresse indiquée ci-dessous pour réparation.

Les appareils nécessitant une opération de service doivent être envoyés à une autre adresse et avec un numéro d'autorisation de retour de marchandise (RMA). Veuillez contacter le service client Pioneer ou une société de services agréée si votre produit nécessite une opération de service.

PIONEER ELECTRONICS (USA) INC.

P.O.BOX 1720, Long Beach, Californie 90801 ÉTATS-UNIS

### Questions à propos du logiciel de l'application inclus

Demandes directes aux fabricants de logiciels suivants.

Centre de support CyberLink

<https://www.cyberlink.com/support/index.html>

### Marques de commerce et marques de commerce déposées

- Pioneer et le logo Pioneer sont des marques de commerce déposées de Pioneer Corporation.
- Windows est une marque de commerce déposée de Microsoft Corporation aux États-Unis et dans d'autres pays.
- Mac, OS X El Capitan, macOS, macOS Sierra, macOS High Sierra, macOS Mojave, macOS Catalina, macOS Big Sur et macOS Monterey sont des marques de commerce déposées d'Apple Inc.
- M-DISC est une marque de commerce de Millenniata, Inc.
- BLU-RAY DISC, le logo Blu-ray Disc, BDXL, le logo BDXL et le logo Ultra HD Blu-ray Disc sont des marques de commerce de Blu-ray Disc Association.
- CyberLink est une marque de commerce ou une marque de commerce déposée de CyberLink Corporation.
- USB Type-C est une marque déposée de USB Implementers Forum.
- Toutes les autres marques de commerce appartiennent à leurs propriétaires respectifs.





**ONE YEAR LIMITED WARRANTY  
GARANTIE LIMITÉE D'UN AN**

(In the U.S. and Canada)  
(Valide pour les États-Unis et le Canada)



When purchased from an authorized Pioneer dealer, this product is covered by Pioneer's One Year Limited Warranty. Please visit our website to review and download the full terms and conditions of the Limited Warranty, or you can receive a copy by calling 1-800-421-1404 or writing to the address below.

<https://www.pioneerelectronics.com/StaticFiles/PUSA/Files/Warranty/PUSAOpticalWarranty.pdf>

En achetant chez un marchand autorisé Pioneer, ce produit est couvert par une garantie limitée Pioneer d'un an. Veuillez visiter notre site Web pour consulter ou télécharger une copie détaillée de cette garantie limitée. Vous pouvez aussi obtenir une copie en appelant au 1-800-421-1404 ou en écrivant à l'adresse ci-dessous.

**Customer Support, Pioneer Electronics (USA) Inc., P.O. Box 1720, Long Beach, California 90801 U.S.A.**

RECORD THE PLACE AND DATE OF PURCHASE. KEEP THIS INFORMATION AND YOUR SALES RECEIPT IN A SAFE PLACE.

Model No.	_____
Serial No.	_____
Purchase Date	_____
Purchased From	_____

**Website for downloading application / Site Web de téléchargement de l'application**

**[https://jpn.pioneer/cyberlink\\_soft/en.php](https://jpn.pioneer/cyberlink_soft/en.php)**

The downloader can be re-downloaded from the Link in the e-mail sent from CyberLink for 30 days from registration of the product key.

Le programme de téléchargement peut être re-téléchargé depuis le lien dans l'e-mail envoyé par CyberLink pendant 30 jours à compter de l'enregistrement de la clé de produit.

CyberLink Media Suite  
Product key for free download  
Clé du produit CyberLink Media Suite  
pour téléchargement gratuit



© 2022 PIONEER CORPORATION. All rights reserved.  
© 2022 PIONEER CORPORATION. Tous droits de reproduction et de traduction réservés.

**PIONEER CORPORATION** 28-8, Honkomagome 2-chome, Bunkyo-ku, Tokyo 113-0021, Japan / Japon  
**PIONEER ELECTRONICS (USA) INC.** P.O.BOX 1720, Long Beach, California 90801 U.S.A.  
**Pioneer Digital Design and Manufacturing Corporation** 5-5, Koishikawa 5-chome, Bunkyo-ku, Tokyo 112-0002, Japan / Japon

Printed in China / Imprimé en Chine <ORC8395-A>