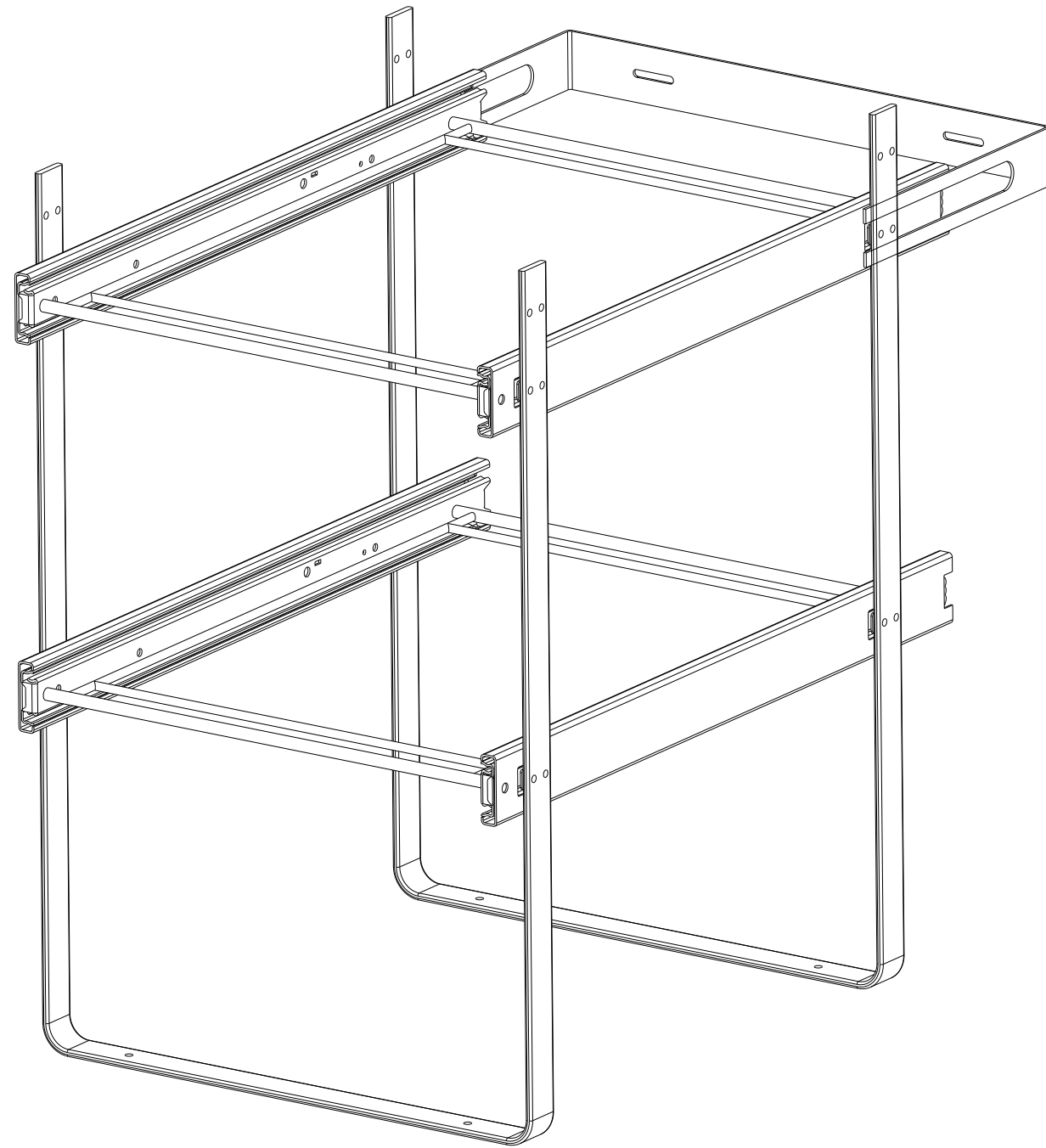


CUSTOMER DRAWING

This drawing is the property of Rev-A-Shelf (RAS) and is disclosed in confidence to the extent its subject matter is original to RAS. Any vendor receiving this drawing from RAS shall hold and use this drawing for the sole benefit of RAS and shall not disclose it to, or use or reproduce it for any third party, or perform any act adverse to the interest of RAS with respect to this drawing without the express written permission of RAS. Vendors shall not revise any physical, dimensional or performance characteristic unless authorized by Rev-A-Shelf Engineering.

REV.	DATE	BY	DESCRIPTION OF CHANGE
A	04/03/08	MGD	ECN08-027

INCH [MM]	AMERICAN PROJECTION	DRAWN	BY	DATE	REV-A-SHELF, INC.
			MGD	3/12/08	
		MATERIAL		SIZE	TWO-TIER FILE DRAWER SYSTEM
		FINISH		DRAWING NO.	5WBFFKD_CUST
		TOLERANCES MAT. DEC. (WOOD) .XX ±.03 [.8mm] (OTHER) .XX ±.02 [.5mm] (ALL) .XXX ±.005 [.13 mm] FRACTIONS ±1/32 [.8 mm]		SCALE	0.125
		ANGLES ±1/2°		PART NO.	5WBFFKD
				SHEET OF	1 OF 2



PART DIMENSIONS		
	MIN	MAX
WIDTH	14.75 [374,7]	
DEPTH	19.75 [501,7]	24.00 [609,5]
HEIGHT	22.63 [574,7]	

MIN CABINET OPENING				
	FACE FRAME	FRAMELESS	INSET FACE FRAME	INSET FRAMELESS
WIDTH	14.50 [368]	14.88 [378]	14.50 [368]	14.88 [378]
DEPTH	19.75 [502]	19.75 [502]	20.50 [521]	20.50 [521]
HEIGHT	22.75 [578]	22.75 [578]	22.75 [578]	22.75 [578]

SLIDE SPECIFICATIONS				
SLIDE TYPE	BALL BEARING	SLIDE EXTENSION	FULL EXTENSION	MAX WEIGHT RATING
SLIDE CLOSING		SLIDE LENGTH	22.00	
SLIDE MOUNTING		SLIDE FINISH		100LB

CUSTOMER DRAWING

This drawing is the property of Rev-A-Shelf (RAS) and is disclosed in confidence to the extent its subject matter is original to RAS. Any vendor receiving this drawing from RAS shall hold and use this drawing for the sole benefit of RAS and shall not disclose it to, or use or reproduce it for any third party, or perform any act adverse to the interest of RAS with respect to this drawing without the express written permission of RAS. Vendors shall not revise any physical, dimensional or performance characteristic unless authorized by Rev-A-Shelf Engineering.

REV.	DATE	BY	DESCRIPTION OF CHANGE
A	04/03/08	MGD	ECN08-027

INCH [MM]	AMERICAN PROJECTION	DRAWN	BY	DATE	REV-A-SHELF, INC.
			MGD	3/12/08	
					SIZE B
					TWO-TIER FILE DRAWER SYSTEM
					DRAWING NO. 5WBFFKD-CUST
					SCALE 0.250
					FINISH
					PART NO. 5WBFFKD
					SHEET 2 OF 2

TOLERANCES
 MAT. DEC.
 (WOOD) .XX ±.03 [.8mm]
 (OTHER) .XX ±.02 [.5mm]
 (ALL) .XXX ±.005 [.13 mm]
 FRACTIONS ±1/32 [.8 mm]

ANGLES ±1/2°