

SONDER

LIVING

RAFFLES KING BED - 6 PANELS

Thank you for choosing this quality product. Be sure to check all packaging materials carefully for small parts that may have become loose during shipment and place all parts on a non-abrasive surface.

IMPORTANT : These parts can be cumbersome and heavy to some people, therefore the assistance of two or more people is recommended in order to prevent personal injury and ensure the furniture is not damaged during the assembly Process.

CARE INSTRUCTIONS

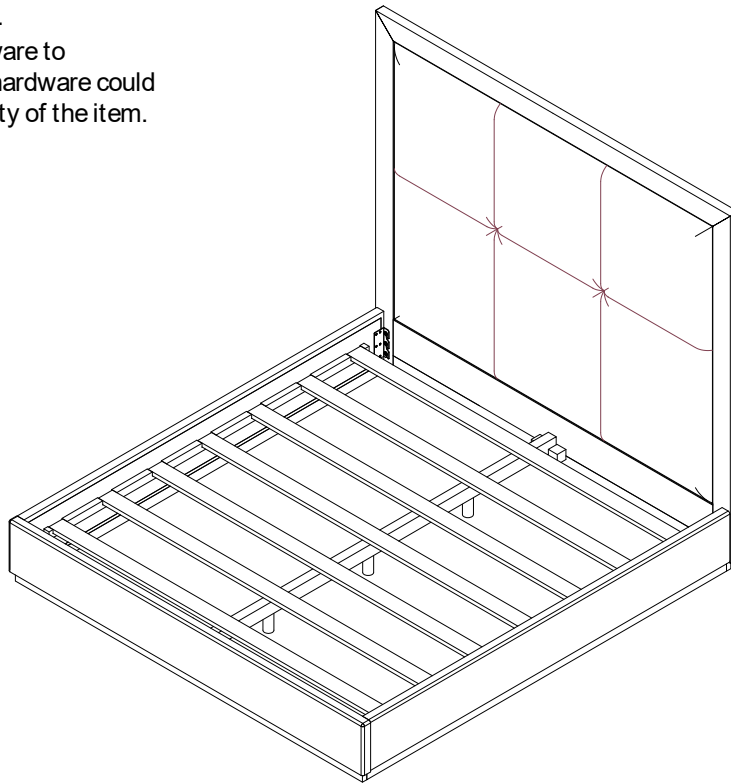
1. Dust often using a clean, soft, dry and lint-free cloth.
2. Blot spills immediately and wipe with a clean, damp, cloth.
3. We do not recommend the use of chemical cleansers, abrasives or furniture polish on our lacquered finish.

IMPORTANT SAFETY INSTRUCTIONS

1. Please read all instructions carefully before assembling.
2. Keep instructions for future use.
3. Use only vendor supplied hardware to assemble. Using unauthorized hardware could jeopardize the structural integrity of the item.

PART LIST

- A [1] HEADBOARD
- B [2] SIDERAILS
- C [1] FOOTBOARD
- D [7] BED SLATS
- E [1] SUPPORT SLAT
- F [3] SUPPORT LEGS



HARDWARE LIST

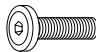



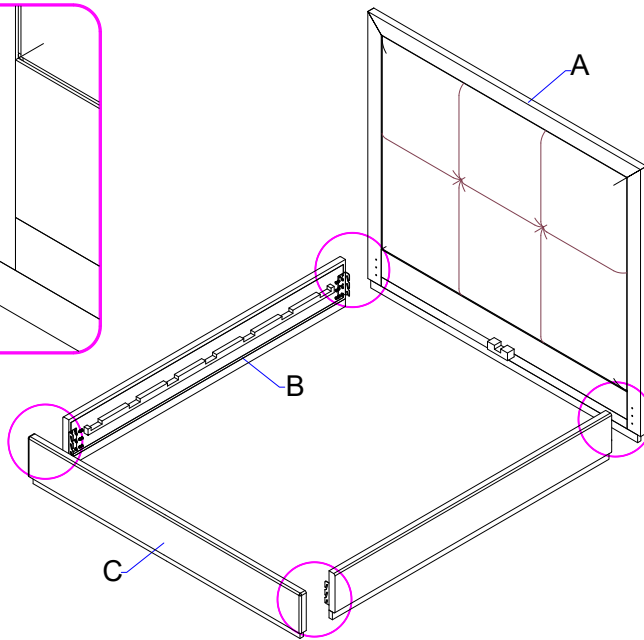
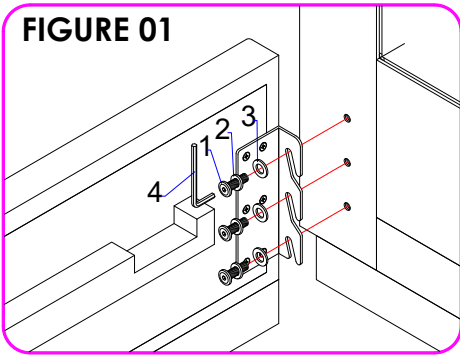
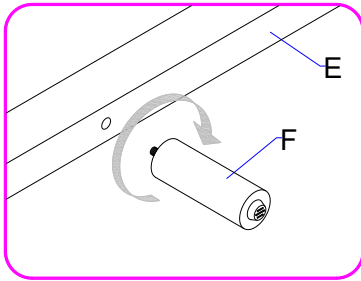
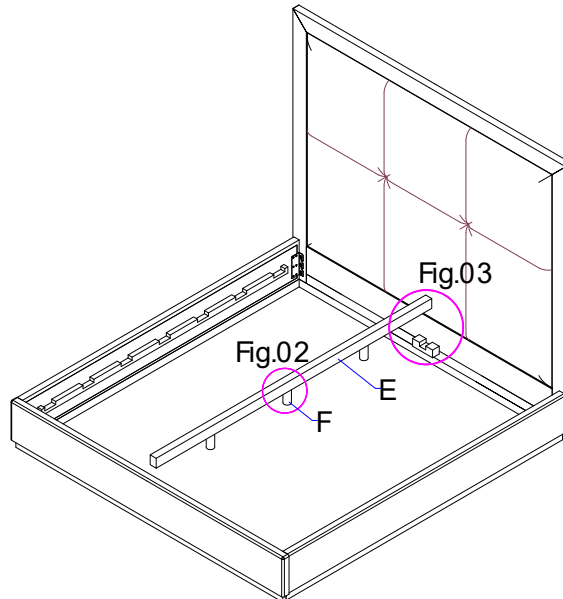
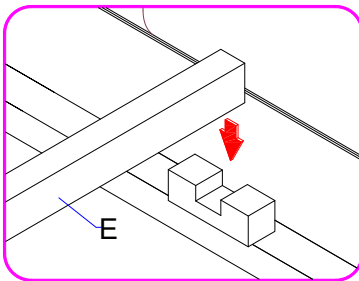
NO.	DESCRIPTION		QTY
1		ALLEN HEAD BOLT M8X25MM	12 PCS
2		LOCK WASHER	12 PCS
3		FLAT WASHER	12 PCS
4		ALLEN WRENCH	1PC

FIGURE 01**ASSEMBLY INSTRUCTION**

The bed is composed of several components: The headboard, foot board, side rails, bed slats and support slats. Determine the intended location and ensure there is enough space to work with and fully read these instructions before physically doing the entire assembly.

STEP #1:

Place the headboard upright in the position you wish the bed to be in when fully assembled. The headboard bed fast hardware should be facing inside, toward the mattress. Raise the side rail (B) up and attach the side rail (B) to the headboard (A) by using Allen bolt (1), lock washer (2) and flat washer (3) as per illustrated on **FIGURE 01**.

FIGURE 02**FIGURE 03****STEP #2:**

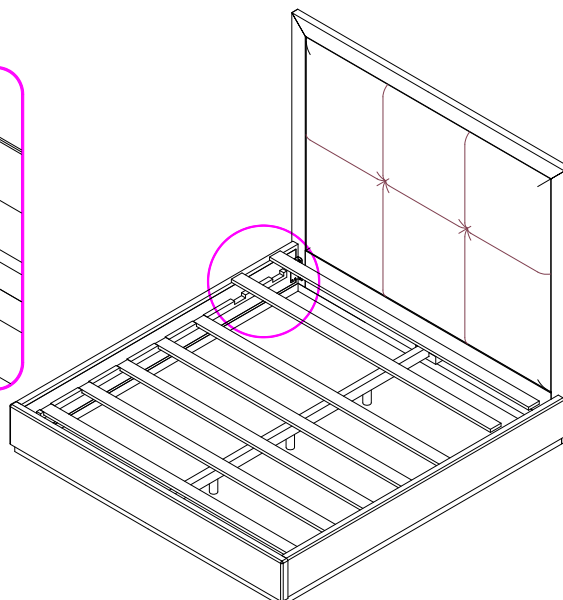
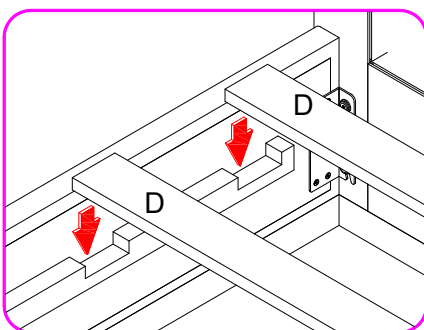
Repeat the above procedure with the other side rail (B) to attach it to the headboard (A), and then repeat to connect side rails (B) to the footboard (C).

STEP #3:

Attach the short support legs (F) to the slat support (E) by turning it manually, as illustrated in **FIGURE 02**.

STEP #4:

On inside face of both headboard (A) and footboard (C) are pre-installed metal brackets for the support slat (E). Set the support slat (E) on the metal brackets, as illustrated in **FIGURE 03**.

FIGURE 04**STEP #5:**

On inside surface of both side rails (B) are cavities designed to hold the individual bed slats (D). Set individual bed slats (D) on both cavities of the side rails (B) as illustrated in **FIGURE 04**.

Thank you for your purchase