

GTX™ LED Signal Modules

8 and 12 inch
Incandescent look (120V)



Project Name _____

Date _____ Type _____

Notes _____



Current's 14th generation of LED signal, leveraging 15 years of experience & over 6,000,000 units sold worldwide

OUTSTANDING PERFORMANCE

- Consumes up to 15% less power than Current's previous signal generation.
- Intelligent controller measures usage and temperature. Will automatically adjust to compensate for light output degradation over time.
- Over-molded electrical connectors prevent water wicking through wires.

MAXIMUM FLEXIBILITY

- New micro-controlled power supply is packed with advanced functionality that can be unlocked and customized to fit your specific needs.
- Low profile module permits efficient installation into existing traffic housings.
- Power consumption levels allow compatibility with most controllers.
- Offers multiple dimming configurations for ultimate customization.**
- Mask compatible to fit your unique signaling needs.***

MEETS RIGOROUS CERTIFICATION & TESTING STANDARDS

- Compliant with ITE VTCSH LED Circular Signal Supplement dated June 27th 2005.
- CSA approved.

* Sold separately. Refer to masks datasheet TRAF208.

** Customer controller and load switch compatibility testing may be required. Please contact your Current representative for details.

***Sold separately. Refer to masks datasheet TRAF208.



The Greatest Signals Stand the Test of Time.™

GTX™ LED Signal Modules

8 and 12 inch

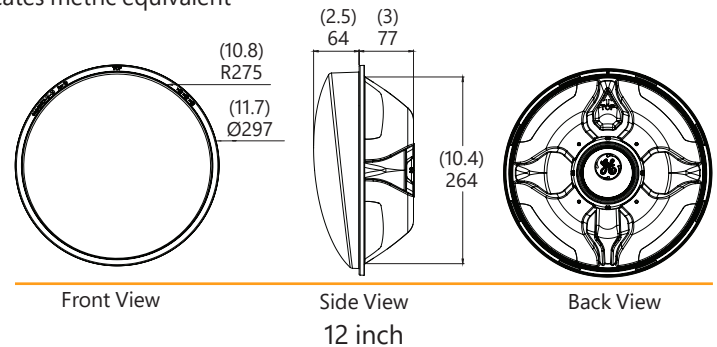
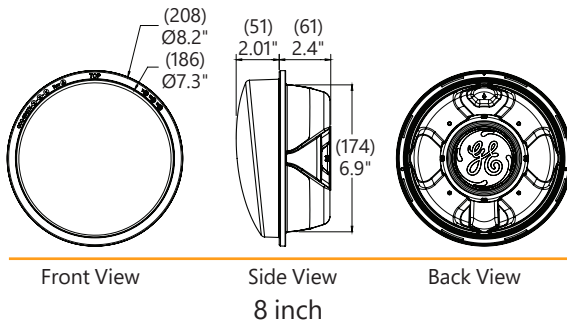
Project Name _____

Date _____ Type _____

Notes _____

Mechanical Outline

Dimensions in inches. (mm) indicates metric equivalent



Design Compliance

Test type	Compliance
Luminous Intensity	ITE VTCSH-LED Circular Signal Supplement-June 2005
Chromaticity	ITE VTCSH-LED Circular-June 2005
Moisture Resistance	Blown Wind Rain MIL-STD-810F method 506.4
Mechanical Vibration	MIL-STD-883 Method 2007
Electronic Noise	FCC Title 47 Sub. B Sec 15 ¹
Transient Voltage Protection	Sec. 2.1.6 NEMA TS2-2003, 300V, 2500W Sec. 2.1.6 NEMA TS2-2003, 600V, 10μF Sec. 2.1.8 NEMA TS2-2003, 1kV, 2Ω
Controller Compatibility	ITE VTCSH-LED Circular Signal Supplement-June 2005
Wiring	NFPA 70, National Electric Code
Transient Suppression	Sec. 8.2 IEC 61000-4-5 & Sec. 6.1.2 ANSI/IEEE C62.41.2 - 2002, 3kV, 2 Ω Sec. 8.0 IEC 61000-4-12 & Sec. 6.1.1 ANSI/IEEE C62.41.2 - 2002, 6kV, 30 Ω

Operating Specifications

Parameter	Rating
Operating Temperature Range*	-40 to +74°C (-40 to +165°F)
Operating Voltage Range	80 to 135 V (60Hz AC)
Power Factor (PF)	> 90%
Total Harmonic Distortion (THD)	< 20%
Minimum Voltage Turn-Off (VTO)	35 V
Turn-On/Turn-Off Time	< 50 ms
Lens & Shell Material	UV Stabilized Polycarbonate
Wiring	40 in, 18 AWG, Color Coded with Strain Relief
Dimming Option ²	As per Section 5.8 of ITE VTCSH-LED Circular Signal Supplement-June 2005

* Operating Temperature Range per ITE 2005, Section 3.3.2

Product Information

Model Number	Front Shell	Size (in)	AC Voltage Nominal	Power (W) Nominal	Wavelength (nm) Nominal	Maintained Intensity (Cd) Minimum ²
● DR4-RTFB-77A	Tinted	8	120V - 60Hz	6.3	626	165
○ DR4-RCFB-77A	Clear					
● DR4-YTFB-77A	Tinted	8	120V - 60Hz	9.5	589	410
○ DR4-YCFB-77A	Clear					
● DR4-GTFB-77A	Tinted	8	120V - 60Hz	6.5	503	215
○ DR4-GCFB-77A	Clear					
● DR6-RTFB-77A	Tinted	12	120V - 60Hz	6.7	625	365
○ DR6-RCFB-77A	Clear					
● DR6-YTFB-77A	Tinted	12	120V - 60Hz	10.5	589	910
○ DR6-YCFB-77A	Clear					
● DR6-GTFB-77A	Tinted	12	120V - 60Hz	8.5	502	475
○ DR6-GCFB-77A	Clear					

Distributed by:

Standard product equipped with universal connectors (insulated spade-quick disconnect). All lamps available in tinted or clear lens.

- Class A
- Customer controller and load switch compatibility testing may be required. Please contact your Current representative for details.
- Power consumption for DR6-RTFB-77A, DR6-RCFB-77A, DR6-YTFB-77A, DR6-YCFB-77A, DR4-RTFB-77A, DR4-RCFB-77A, DR4-GTFB-77A and DR4-GCFB-77A could slightly increase over time to ensure light degradation compensation.
- Measured at vertical angle of -2.5° and at horizontal angle of 0°.