

# ECL120RHWP1|2

## LED Emergency Remote Head Lamp

### Product Description

The ECL Series LED Remote lamps are designed to work with any of NICOR's 3.6VDC LED exit combos and emergency lighting units. This sleek, contemporary design offers fully adjustable heads that complement any environment. Available in single or double head options with a voltage package of 3.6 volts.

### Construction

- Gray Housing
- Weather resistant Injection molded thermoplastic ABS housing with powder coated die-cast aluminum base
- UL-94V-0 Flame rating - Flame Retardant
- Adjustable heads for aiming light where required
- Head tilt:  $\pm 70^\circ$
- Head rotation:  $360^\circ$

### Electrical

- 1.46 Watts per head
- 3.6VDC remote input voltage

### Warranty

- 1-year limited system warranty standard

### PRODUCT INFORMATION

Input Voltage (V):	3.6V
ECL1 Power Draw (W):	1.46
ECL2 Power Draw (W):	2.92

### Compatible Exit Units

EML1
EML3
EML5
ECL1-Select
ECL3

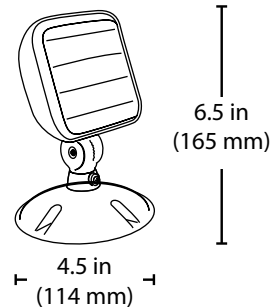
Project \_\_\_\_\_

Catalog \_\_\_\_\_

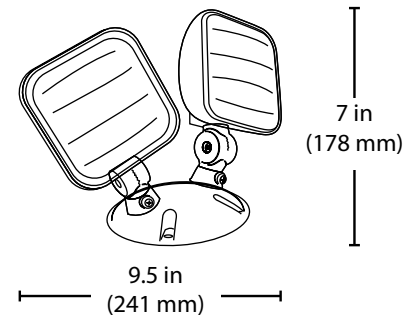
Type \_\_\_\_\_

Date \_\_\_\_\_

### ECL120RHWP1



### ECL120RHWP2



### Ordering Information

Series	Version	Lamps
ECL1	20 (2.0)	RHWP1 (Single Lamp)
		RHWP2 (Dual Lamp)