

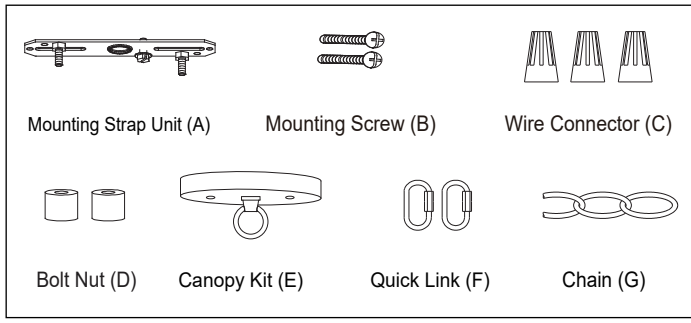
ASSEMBLY AND INSTALLATION INSTRUCTIONS

P0466

WARNING: TO AVOID RISK OF ELECTRICAL SHOCK, BE SURE TO SHUT OFF POWER WHILE INSTALLING OR SERVICING THIS FIXTURE.

NOTES: 1. Before installing, consult local electrical codes for wiring and grounding requirements.
2. Read and save these instructions.

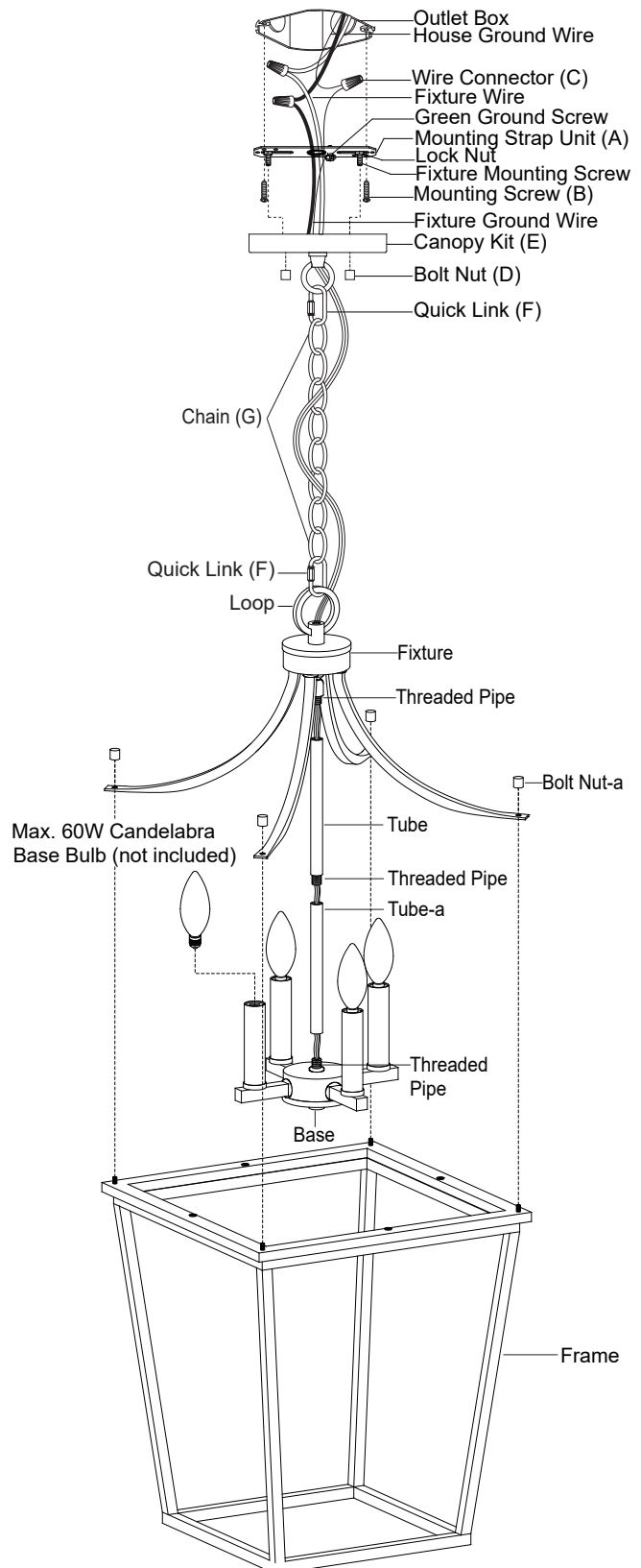
Hardware Package (included):



Installation Steps

Turn off the power at fuse or circuit box.

1. Attach the mounting strap unit (A) to outlet box by using two mounting screws (B).
2. Attach the tube-a to the base with the threaded pipe, thread the tube to the tube-a, attach the fixture to the tube using threaded pipe.
3. Attach the frame to the fixture with the four bolt nuts-a.
4. Choose the length of the chain (G) you need, then weave the fixture wire and the fixture ground wire through the chain (G) and canopy kit (E).
5. Connect the chain (G) to the canopy kit (E) and loop with two quick links (F).
6. Thread the fixture wire and fixture ground wire through the mounting strap unit (A).
7. Pull out the source wires from the outlet box. Make wire connections using wire connectors (C) as follows:
 - Connect the smooth-coated wire (marked) from the fixture to the black wire from the power source.
 - Connect the ribbed-coated wire (unmarked) from the fixture to the white wire from the power source.
 - Attach the fixture ground wire (bare) to the mounting strap unit (A) with the green ground screw, then connect it to the house ground wire with a wire connector (C).
 Carefully put the wires back into the outlet box.
8. Attach the canopy kit (E) to the mounting strap unit (A) by inserting the fixture mounting screws, then secure it with two bolt nuts (D).



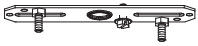
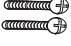


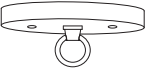


9. Install 4 x 60W Max. Candelabra base bulbs (not included).

See relamping label at socket area or packaging for maximum wattage allowed.

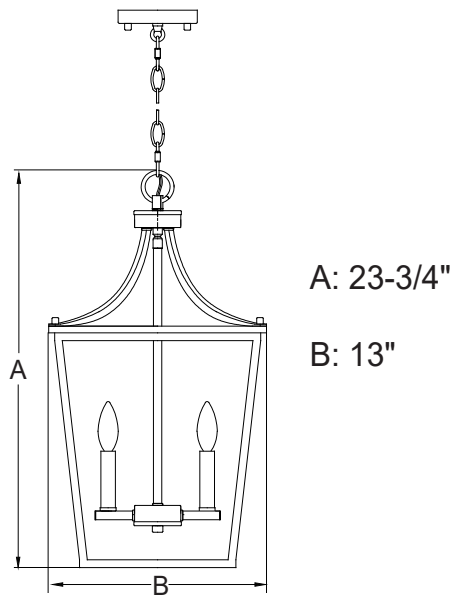
Turn on the power at fuse or circuit box.

The following parts are available for reorder if damaged or missing.

Spare Parts List:

 Mounting Strap Unit (A)	 Mounting Screw (B)	 Wire Connector (C)	 Bolt Nut (D)
 Canopy Kit (E)	 Quick Link (F)	 Chain (G)	

Assembly Kit 7197MM (1 SET)



1 Year Warranty

Vaxcel warrants all of our products against defects in workmanship and finishes for one year following the date of shipment.

Exclusions: This warranty does not include the failure of products from extreme acts of nature; environmental conditions not suited for the products intended use; operation in temperatures outside of the range specified in the instruction manual; usage with improper power supply, power surges or dips. For coastal locations, some corrosion is considered normal for the environment.

Vaxcel reserves the right to repair, replace or issue a credit for any properly installed product, provided it is returned per RMA instruction. This warranty is limited to the cost of the product only and does not extend to transportation, installation or replacement costs.

How can warranty service be obtained?
info@vaxcel.com
1-800-482-9235