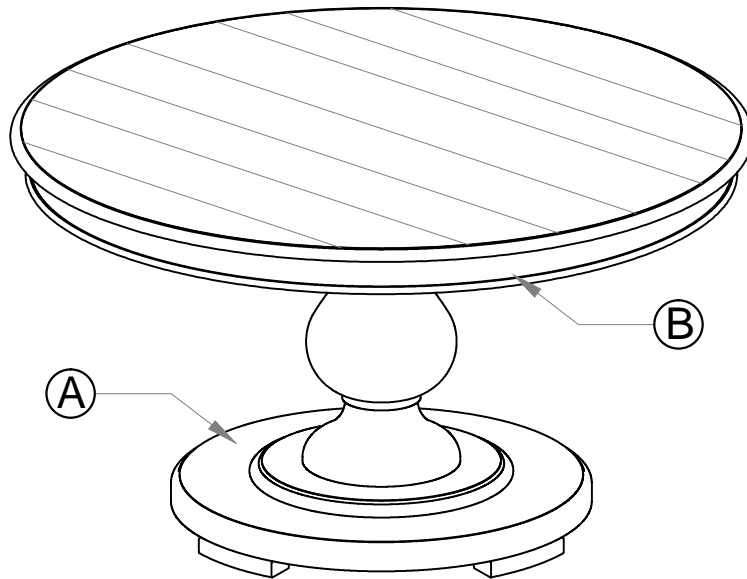


THE MONARCH COLLECTION  
**ROUND DINING TABLE**

**STEP 1:**

**PART LIST**





A[1] POST  
 B[1] TOP



**TOOLS NEEDED**

- Phillip head screwdriver (Not provided)

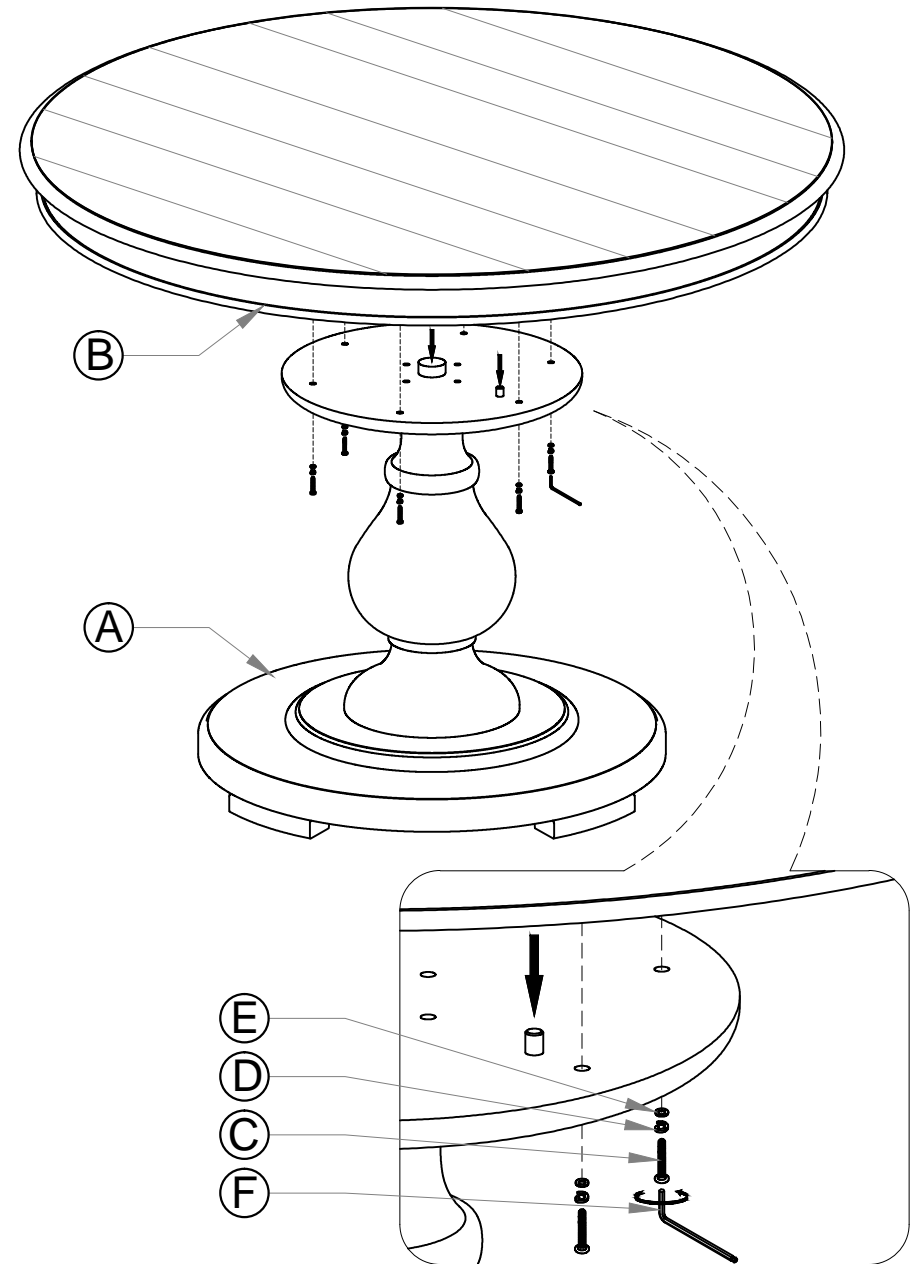
**HARDWARE LIST**

NO.	Description		Q'TY
C		Bolt nut iron M8 x 40mm	6Pcs
D		Lock washer	6Pcs
E		Flat Washer	6Pcs
F		Allen key	1Pcs

**ASSEMBLY INSTRUCTION**

Note : Table can be assembled by at least two persons, these instructions are written assuming two persons are assembling the table .  
 Once assembled, table should not be moved.

**STEP 1:** Position part A then joint two holes on the bottom of part B with two location cylinder tenons of part A (see picture).Insert the bolt (C) with washers (D and E) to every hole one by Allen key (F) and tighten.



Thank you for your purchase