

# Pioneer

## TS-A120D4 12" Dual 4Ω Voice Coil Subwoofer

### A-series sound design

- High power handling and high sensitivity
- Powerful and accurate bass
- Frequency matched to Pioneer A-series full-range loudspeakers



- 12" glass fiber and mica interlaced Injection Molded Polypropylene (IMPP) cone construction
- Butyl rubber surround and polycotton / cotton dual spider for strength and linearity during high excursion
- Oversized 60 oz double stacked magnet and vented pole yoke for increased power handling
- Smooth and seamless integration with Pioneer A-series full-range automotive loudspeakers

### FEATURES AND TECHNOLOGY

- Glass fiber and mica interlaced IMPP cone provides powerful and accurate bass

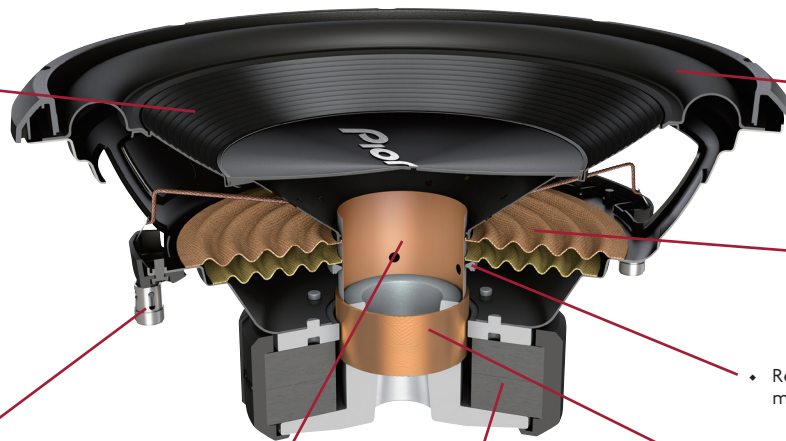


Glass fiber



Mica

- 8 AWG push-type input terminals



- Extended voice coil, dual spider design for increased linearity and high excursion

- Oversized motor with double stacked magnets

- Butyl rubber surround

- Polycotton / cotton dual spider

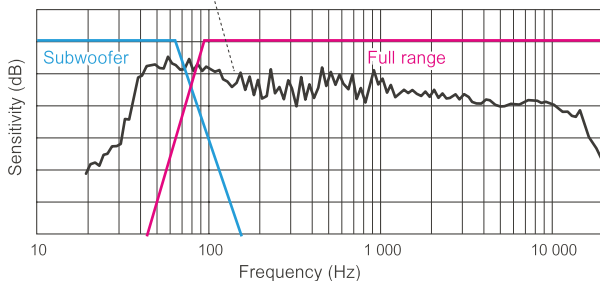
- Reinforced spider mounting collar

- 4-layer, copper voice coil

### EASILY UPGRADE TO HIGH PERFORMANCE

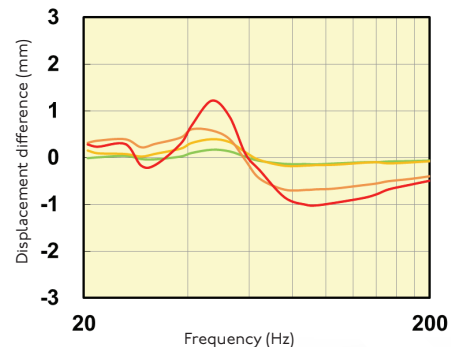


Music source spectrum



Pioneer's A-series sound design purposely matches the subwoofer and full-range loudspeakers to provide seamless and smooth sound characteristics with dynamic, high impact bass that lets you hear and feel the music.

Linear, balanced motion in both the forward and reverse directions of cone movement is critical to accurate reproduction of recorded sound waves. Careful engineering of the entire motor structure and suspension system (voice coil, magnet, surround and spider) is required maintain a high level of linearity, even during high output / high excursion transients.



Input power

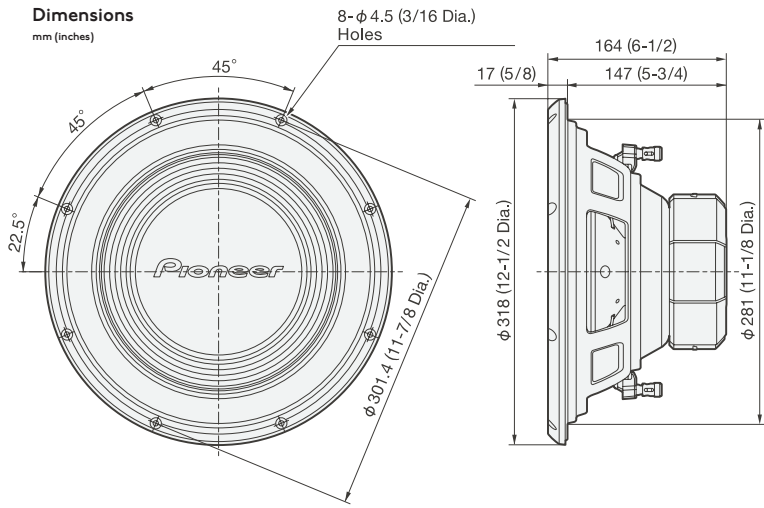
- 32 Watts
- 65 Watts
- 128 Watts
- 256 Watts

**CarSoundFit**  
Pioneer

For a virtual listening demonstration of these and many other Pioneer car speakers, download the free Pioneer CarSoundFit app.

Download on the **App Store**

GET IT ON **Google Play**



Pioneer A-series Subwoofers	TS-A100D4 (also available)	TS-A120D4
<b>System Type</b>	Component subwoofer	Component subwoofer
<b>Sound Pressure Level (Sensitivity)</b>	74dB ( $\pm$ 1.5dB)	77dB ( $\pm$ 1.5dB)
<b>Frequency Range</b>	20 Hz to 2 kHz	20 Hz to 2.3 kHz
<b>Continuous Power Handling (RMS)</b>	400 Watts	500 Watts
<b>Maximum Peak Power Handling</b>	1300 Watts	1500 Watts
<b>Nominal Impedance</b>	4 $\Omega$ Dual Voice Coil (DVC)	4 $\Omega$ Dual Voice Coil (DVC)
<b>Woofer Cone Diameter</b>	10"	12"
<b>Woofer Cone Material</b>	Glass fiber and mica reinforced Injection Molded Polypropylene (IMPP)	Glass fiber and mica reinforced Injection Molded Polypropylene (IMPP)
<b>Woofer Surround</b>	Butyl Rubber	Butyl Rubber
<b>Basket Material</b>	Stamped Steel	Stamped Steel
<b>Spider</b>	Aramid Fiber (single)	Polyester-Cotton / Cotton (double)
<b>Magnet Material</b>	Double stacked ferrite	Double stacked ferrite
<b>Magnet Weight</b>	56 oz	60 oz
<b>Voice Coil Former Material</b>	Aluminum	Kapton
<b>Voice Coil Wire Material</b>	Copper, round wire, 4-layer	Copper, round wire, 4-layer
<b>Mounting Depth</b>	5.25"	5.8"
<b>Fs (Hz)</b>	30 Hz	25 Hz
<b>Qts</b>	0.59	0.69
<b>Vas (liters • cu ft.)</b>	36.6 • 1.29	87.1 • 3.07
<b>Xmax (mm • inch)</b>	10.8 • 0.43	10.1 • 0.4
<b>Sealed Enclosure Volume cu ft. (min • rec • max)</b>	0.5 • 0.7 • 0.8	0.85 • 1.25 • 1.75
<b>Ported Enclosure Volume cu ft. (min • rec • max)</b>	0.6 (2" x 6" port) • 0.7 (2" x 5" port) • 0.8 (2" x 4" port)	1.25 (3" x 6" port) • 1.5 (3" x 6.5" port) • 2.0 (3" x 4" port)

Frequency matched Pioneer A-series full-range speakers available in the following sizes and applications:

TS-A692C, TS-A652C (Component Packages) • TS-A692F, TS-A6970F, TS-A6990F (6" x 9") • TS-A682F (6" x 8") • TS-A652F, TS-A1680F (6.5" x 9") • TS-A1370F (5-1/4") • TS-A462F (4" x 6")

**⚠ WARNING:** Over time, your hearing "comfort level" adapts to higher volumes of sound, so that what sounds "normal" can actually be doing harm. To protect against hearing loss, set your equipment's volume at a low setting, slowly increase it until you can hear it comfortably and clearly, and leave it there. Do not turn up the volume so high that you can't hear what's around you.

Protect your investment. Purchase from an Authorized Pioneer Dealer. Only products purchased from an Authorized Pioneer Dealer (or Authorized Pioneer Internet Dealer) qualify for the manufacturer's warranty and manufacturer's rebates. Pioneer Electronics (USA) Inc., Post Office Box 1760, Long Beach, California 90801 Pioneer Customer Service Department: 1-800-PIONEER

Note: Specifications, designs, and user interfaces are subject to modification without notice. Product colors and illumination may differ in photographs from actual appearance due to effects of printing and photography.

PIONEER and the Pioneer logo are trademarks or registered trademarks of Pioneer Corporation. All other brand, product names, or logos are trademarks or registered trademarks of their respective holders.

Pioneer Electronics (USA) Inc. proudly supports and encourages you to support the Consumer Technology Association (CTA), Mobile Electronics Certification Program (MECP) for installers and the Specialty Equipment Market Association (SEMA).



**CHECK OUT MORE AT** [PIONEERELECTRONICS.COM/CAR](http://PIONEERELECTRONICS.COM/CAR)